



TOLSEN™

TOOLS AND MORE

FULL RANGE OF PROFESSIONAL TOOLS | STOCK AVAILABLE FOR RAPID DELIVERY | SEARCHING FOR DISTRIBUTORS WORLDWIDE



GRIPPro⁺
series



1808
CATALOG

FX
FORCE
XPRESS





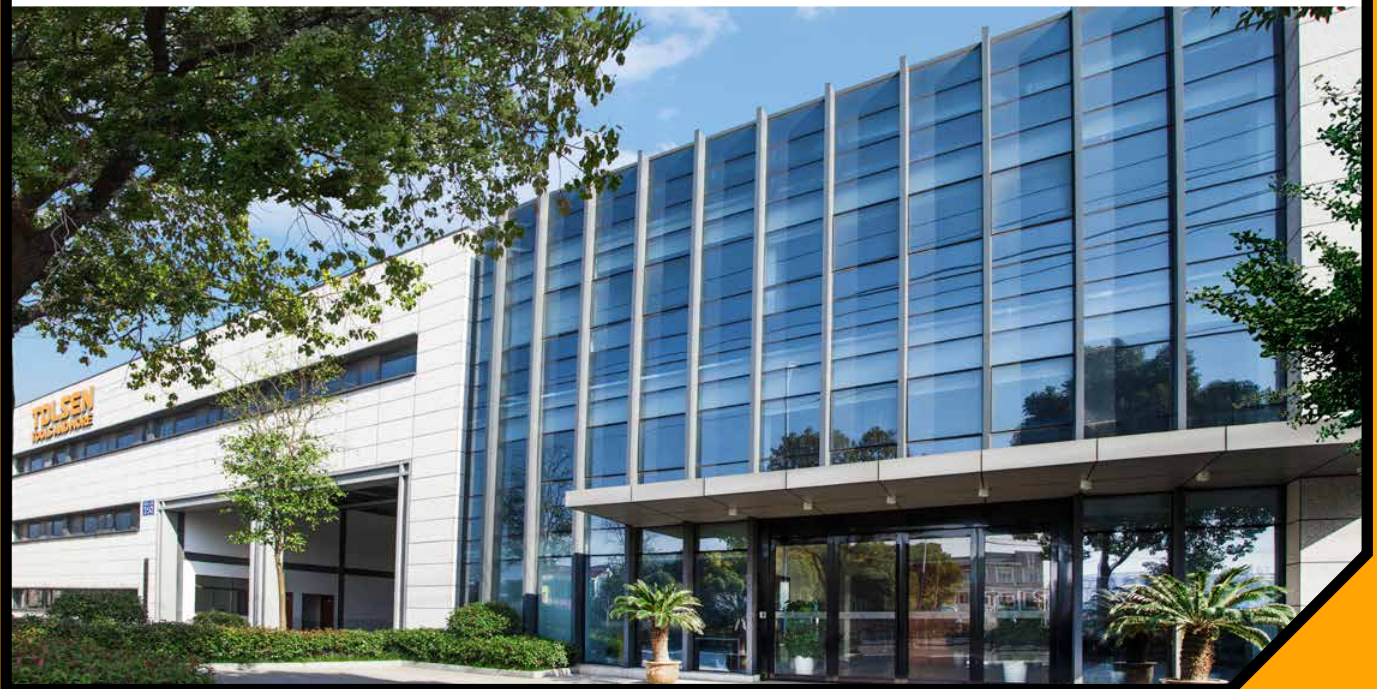
PROFESSIONAL PERFORMANCE WHY CHOOSE TOLSEN?

TOLSEN tools focus on making professional quality tools and hardware products. TOLSEN products are all strictly controlled at every step during designing, producing, packing and quality controlling process. The well-known brands like STANLEY, GEDORE, KNIPEX, SATA are for top high quality, but too expensive for consumers. **TOLSEN tools** believe that the quality tools refer to the usability, efficiency and performance. Different from the OEM market, the advantages of **TOLSEN tools** are:



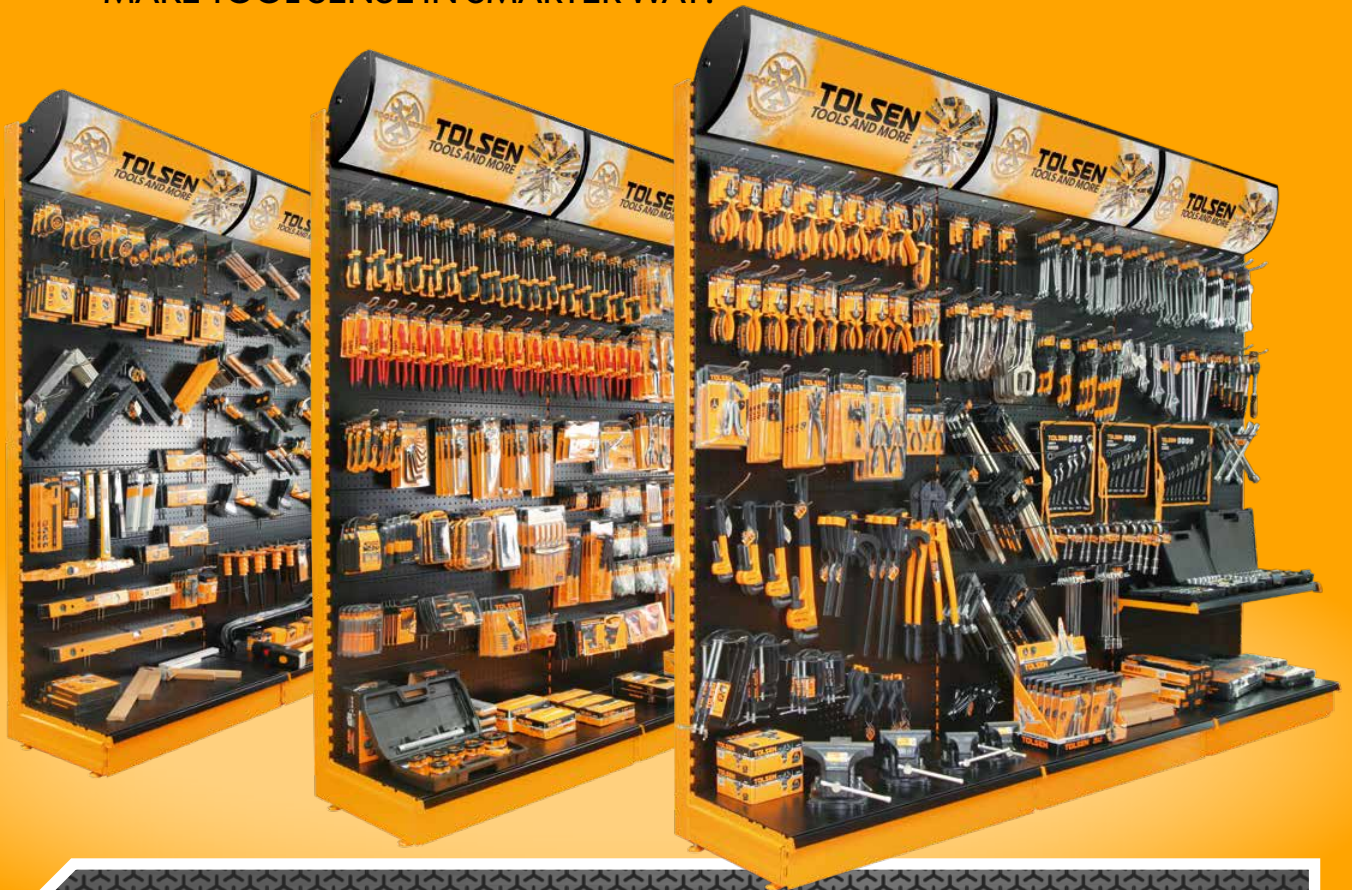
Now we are seeking for the partners overseas all over the world. If you are interested in being our distributors for the whole line hand tools and the relative hardware products, we are sure that you will be very successful when you enter into your market to fight against your competitors.

TOLSENTM
TOOLS AND MORE



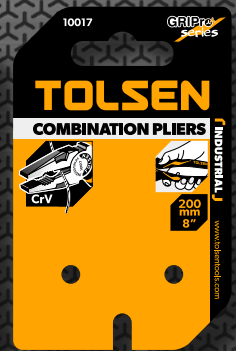
WE PROVIDE FULL RANGE OF PROFESSIONAL TOOLS

MAKE TOOL SENSE IN SMARTER WAY!



RETAIL PACKAGE AND DISPLAYS

PROVIDE PRODUCT NAMES
IN MULTI-LANGUAGES



EXPERIENCED DESIGN TEAM

Our product designers and manufacturing engineers with a high level of technical expertise and skill research materials, design and constant improvement to make work easier.



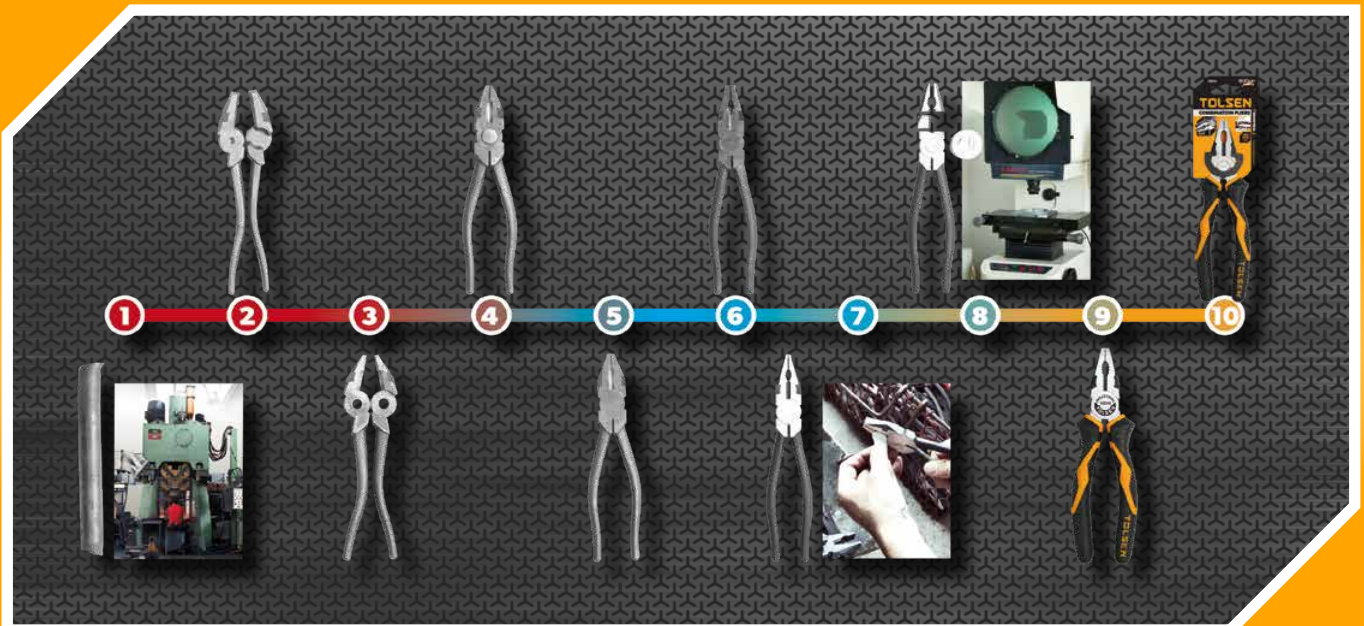
TOLSEN have experienced artwork designers to create uniform and professional artworks to make the packages popular and impressed with customers.

WELL EQUIPPED TESTING CENTER



ENSURING QUALITY AT EVERY STEP

FOR EXAMPLE, MANUFACTURING PROCESS FOR PLIERS





HOLDING TOOLS
8-13



MECHANICS TOOLS
14-20



FASTENING TOOLS
20-29



STRIKING TOOLS
29-33



CUTTING TOOLS
34-38



GARDEN TOOLS
38-40



FINISHING TOOLS
40-42



PLUMBING TOOLS
42-43



MEASURING TOOLS
44-47



ELECTRICAL TOOLS
48-51



INSULATED TOOLS
52-58



PAINTING & MASONRY TOOLS
59-65



PPE
66-78



WELDING TOOLS
79-80



POWER TOOL ACCESSORIES
80-91



POWER TOOLS
92-100



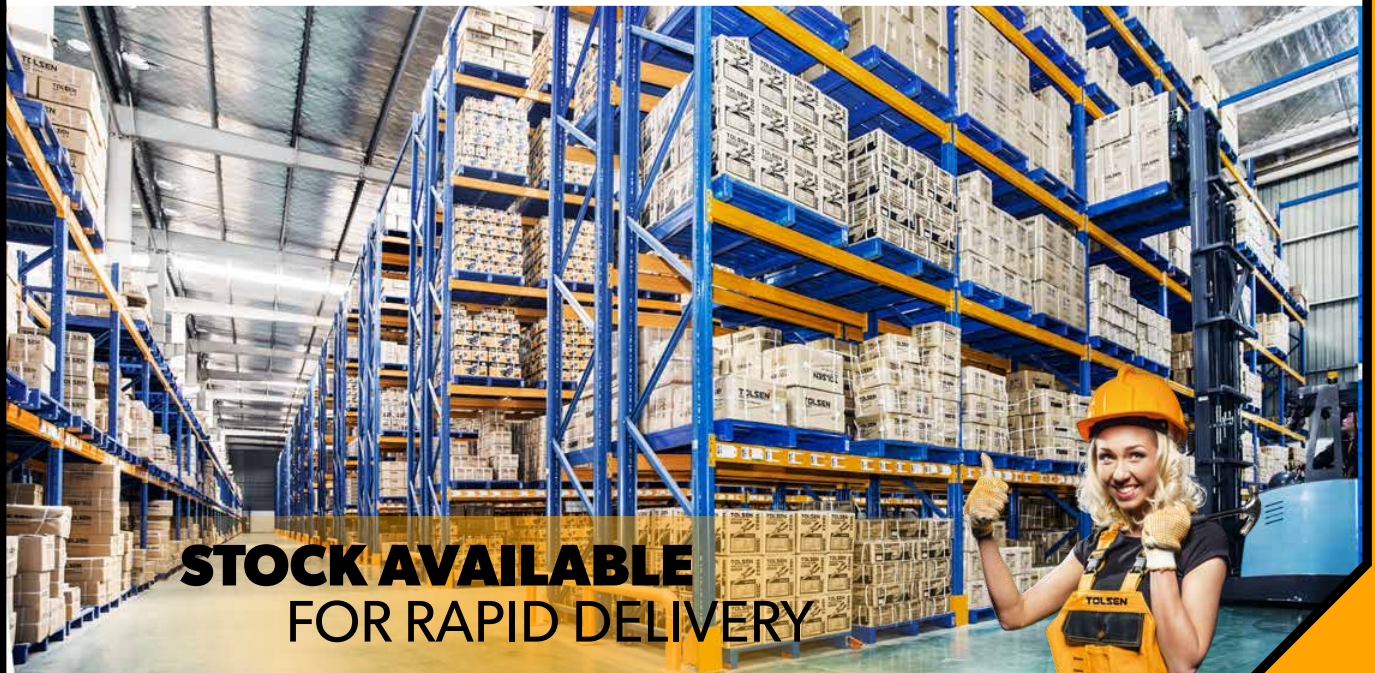
TOOL BAG & STORAGE
101-103



NON-SPARKING TOOLS
104-108




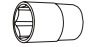















MERCHANDISING & PROMOTIONAL
109



**STOCK AVAILABLE
FOR RAPID DELIVERY**

60PCS TOOL SET

• Contains:

-  Toolbox 5 Tray; 495x200x290mm
-  1/2" Socket 6 Point; CrV 50BV30; 8, 10, 11, 12, 13, 14, 15, 16, 17, 18, 19, 20, 21, 22, 24, 27, 30, 32mm
-  1/2" Reversible Ratchet; 45T; CrMo
-  1/2" Universal Joint ; CrV
-  Water Pump Pliers 250 mm
-  Locking Pliers 250mm; CrV
-  Combination Spanner; CrV; 8,10, 11, 12, 13, 14, 15, 16, 17, 18, 19, 22, 24mm
-  Screwdriver; CrV; SL3.0 x 75mm, SL5.5 x 100mm, SL6.5 x 150mm, SL8.0 x 150mm PH1 x 100mm, PH2 x 150mm, PH3 x 150mm
-  Comination Pliers 180mm
-  Long Nose Pliers 160mm
-  Diagonal Cutter Pliers 160mm
-  9pcs Ball Point Long Arm Hex Key Set; CrV; 1.5-2-2.5-3-4-5-6-8-10mm
-  1/2" Extension Bar 125mm; CrV
-  1/2" Extension Bar 250mm; CrV
-  1/2" 3 Way adaptor; CrV
-  1/2" Spark Plug Socket 16mm; CrV
-  1/2" Spark Plug Socket 21mm; CrV

• Packing: color box



STURDY TOOLBOX

keeps tools neatly organized and easy to reach












Engineered to get the job done

STOCK NO.	QTY./CARTON
85401	1



26PCS TOOL SET

• Contains:

-  Heavy duty plastic tool box; 17"(420x230x190mm)
-  Combination pliers; 180mm, 7"
-  Machinist hammer; 300g
-  Snap-off blade knife; 18mm
-  5pcs combination spanners set; 8/10/13/17/19 mm
-  9pcs long arm hex key set; 1.5/2/2.5/3/4/5/6/8/10 mm
-  Screwdriver; CrV; SL3.0 x 75mm, SL5.5 x 100mm, SL6.5 x 150mm, PH0 x 75mm, PH1 x 100mm, PH2 x 150mm
-  Measuring tape; 5m x 19mm, MIDII
-  Garden gloves; 10(XL)

- Packing: color sleeve
- 12 sets packed in one TOLSEN PDQ (445x700x1000mm)



TOOL SET
helps you work faster and more efficiently

+
Engineered to get the job done

STOCK NO.	QTY./CARTON
85360	12

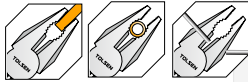


HOLDING TOOLS



COMBINATION PLIERS

- Drop forged special tool steel, nickel plated
- Two-component plastic handle
- Packing: blister card



STOCK NO.	SIZE	QTY./CARTON
10000	160mm,6"	48
10001	180mm,7"	48
10002	200mm,8"	48

DIAGONAL CUTTING PLIERS

- Drop forged special tool steel, nickel plated
- Two-component plastic handle
- Packing: blister card



STOCK NO.	SIZE	QTY./CARTON
10003	160mm,6"	48
10004	180mm,7"	48

LONG NOSE PLIERS

- Drop forged special tool steel, nickel plated
- Two-component plastic handle
- Packing: blister card



STOCK NO.	SIZE	QTY./CARTON
10006	160mm,6"	48
10007	200mm,8"	48

BENT NOSE PLIERS

- Drop forged special tool steel, nickel plated
- Two-component plastic handle
- Packing: blister card



STOCK NO.	SIZE	QTY./CARTON
10008	160mm,6"	48

WIRE STRIPPING PLIERS

- Drop forged special tool steel, nickel plated
- Two-component plastic handle
- Packing: blister card



STOCK NO.	SIZE	QTY./CARTON
10013	160mm,6"	48

WATER PUMP PLIERS

- Drop forged special tool steel, nickel plated
- Two-component plastic handle
- Packing: blister card



STOCK NO.	SIZE	QTY./CARTON
10014	250mm,10"	36

3PCS PLIERS SET

- 1pc combination pliers 7"
- 1pc diagonal cutting pliers 6"
- 1pc long nose pliers 6"
- Drop forged special tool steel, nickel plated
- Two-component plastic handle
- Packing: double blister



STOCK NO.	SIZE	QTY./CARTON
10400		20

COMBINATION PLIERS

- CrV, black finish
- Two-component plastic handle
- Packing: PP card



GRIPPro
series



STOCK NO.	SIZE	QTY./CARTON
10015	160mm,6"	36
10016	180mm,7"	36
10017	200mm,8"	36

DIAGONAL CUTTING PLIERS

- CrV, black finish
- Two-component plastic handle
- Packing: PP card



GRIPPro
series



STOCK NO.	SIZE	QTY./CARTON
10018	160mm,6"	36
10019	180mm,7"	36

LONG NOSE PLIERS

- CrV, black finish
- Two-component plastic handle
- Packing: PP card



GRIPPro
series



STOCK NO.	SIZE	QTY./CARTON
10021	160mm,6"	36
10022	200mm,8"	36

INDUSTRIAL

WATER PUMP PLIERS

- CrV, black finish
- Two-component plastic handle
- Packing: PP card



GRIPPro
series



STOCK NO.	SIZE	QTY./CARTON
10029	250mm,10"	36

INDUSTRIAL

MINI COMBINATION PLIERS

- Drop forged special tool steel , nickel plated
- Dipped handle
- Packing: blister card



STOCK NO.	SIZE	QTY./CARTON
10030	115mm,4.5"	72

MINI LONG NOSE PLIERS

- Drop forged special tool steel , nickel plated
- Dipped handle
- Packing: blister card



STOCK NO.	SIZE	QTY./CARTON
10031	115mm,4.5"	72

MINI DIAGONAL CUTTING PLIERS

- Drop forged special tool steel , nickel plated
- Dipped handle
- Packing: blister card



STOCK NO.	SIZE	QTY./CARTON
10033	115mm,4.5"	72

3PCS MINI PLIERS SET

- Drop forged special tool steel , nickel plated
- Dipped handle
- Packing: blister card



STOCK NO.	SIZE	QTY./CARTON
10038	115mm,4.5"	48

BENT NOSE PLIERS

- CrV, black finish
- Two-component plastic handle
- Packing: PP card



GRIPPro
series



STOCK NO.	SIZE	QTY./CARTON
10023	160mm,6"	36

INDUSTRIAL

3PCS PLIERS SET

- 1pc 8" Combination pliers
- 1pc 6" Long nose pliers
- 1pc 6" Diagonal cutting pliers
- CrV, black finish and polish
- Two-component plastic handle
- Packing: PP card



GRIPPro
series



STOCK NO.	SIZE	QTY./CARTON
10410		20

INDUSTRIAL

VDELINE

INSULATED PLIERS

> PAGE 52



PREMIUM

WIRE STRIPPING PLIERS

- CrV, black finish
- Two-component plastic handle
- Packing: PP card



GRIPPro
series



STOCK NO.	SIZE	QTY./CARTON
10028	160mm,6"	36

INDUSTRIAL

TOWER PINCER

- Drop forged high quality tool steel, black finish
- Dipped handle
- Packing: PP card



INDUSTRIAL

STOCK NO.	SIZE	QTY./CARTON
10039	200mm,8"	36
10040	230mm,9"	36

END CUTTING PINCER

- Drop forged high quality tool steel, black finish
- Dipped handle
- Packing: PP card



INDUSTRIAL

STOCK NO.	SIZE	QTY./CARTON
10043	160mm,6"	36
10044	180mm,7"	36
10345	200mm,8"	36

CARPENTER'S PINCER

- Drop forged high quality tool steel, black finish
- Dipped handle
- Packing: PP card



INDUSTRIAL

STOCK NO.	SIZE	QTY./CARTON
10045	200mm,8"	36

SLIP JOINT PLIERS

- Drop forged special tool steel
- Polish finished
- Dipped handle
- Packing: PP card



INDUSTRIAL

STOCK NO.	SIZE	QTY./CARTON
10311	160mm,6"	48
10313	200mm,8"	48
10314	250mm,10"	48

LOCKING PLIERS

- Drop forged special tool steel
- Nickel plated
- HRC38-HRC45
- Packing: hang tag



STOCK NO.	SIZE	MAX JAWS OPENING	QTY./CARTON
10051	250mm,10"	50mm	36

LOCKING PLIERS

- Drop forged special tool steel
- Nickel plated
- HRC38-HRC45
- Packing: hang tag



STOCK NO.	SIZE	MAX JAWS OPENING	QTY./CARTON
10052	230mm,9"	65mm	36

LOCKING PLIERS

- CrV
- Nickel plated
- HRC52-HRC56
- Packing: PP hanger



STOCK NO.	SIZE	MAX JAWS OPENING	QTY./CARTON
10048	250mm,10"	50mm	36

LOCKING PLIERS

- CrV
- Nickel plated
- HRC52-HRC56
- Packing: PP hanger



INDUSTRIAL

STOCK NO.	SIZE	MAX JAWS OPENING	QTY./CARTON
10049	250mm,10"	50mm	36

LOCKING PLIERS

- CrV
- Nickel plated
- HRC52-HRC56
- Packing: PP hanger



INDUSTRIAL

STOCK NO.	SIZE	MAX JAWS OPENING	QTY./CARTON
10053	230mm,9"	65mm	36

LOCKING PLIERS

- Special tool steel
- Nickel plated
- HRC52-HRC56
- Packing: PP hanger



INDUSTRIAL

STOCK NO.	SIZE	MAX JAWS OPENING	QTY./CARTON
10056	280mm,11"	90mm	24

SHEET METAL CLAMP

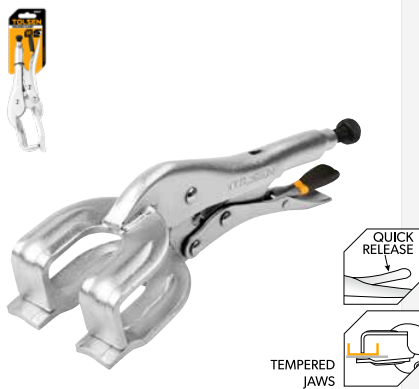
- Special tool steel
- Nickel plated
- Packing: PP hanger



STOCK NO.	SIZE	MAX JAWS OPENING	JAW WIDTH	THROAT DEPTH	QTY./ CARTON
10055	250mm, 10"	15 mm	100 mm	50 mm	24

WELDING CLAMP

- "U" shaped
- Special tool steel
- Nickel plated
- Packing: PP hanger



STOCK NO.	SIZE	MAX JAWS OPENING	CORNER HEIGHT	THROAT DEPTH	QTY./ CARTON
10057	230mm, 9"	45mm	30mm	60mm	24

BOLT CUTTER

- CrV blade, black finish
- Packing: drawing box with color label



STOCK NO.	SIZE	QTY./CARTON
10059	300mm,12"	20
10060	350mm,14"	16
10061	450mm,18"	10
10062	600mm,24"	6
10063	750mm,30"	4
10064	900mm,36"	3

BOLT CUTTER

- High quality tool steel blade, polished finish
- Packing: drawing box with color label



STOCK NO.	SIZE	QTY./CARTON
10241	300mm,12"	24
10242	350mm,14"	24
10243	450mm,18"	12
10244	600mm,24"	8
10245	750mm,30"	5
10246	900mm,36"	4
10247	1050mm,42"	2

MINI BOLT CUTTER

- 65Mn blade
- Cutting edges induction quenched
- With comfortable pvc grips
- A lock in the end of handle
- Plastic handle
- Packing: blister card



STOCK NO.	SIZE	QTY./CARTON
10066	200mm,8"	60

PIPE WRENCH

- Mobile jaw drop-forged with high quality tool steel
- Packing: hang tag with drawing box



STOCK NO.	SIZE	QTY./CARTON
10231	200mm,8"	36
10232	250mm,10"	24
10233	300mm,12"	24
10234	350mm,14"	16
10235	450mm,18"	8
10236	600mm,24"	6
10237	900mm,36"	4

90° BENT NOSE PIPE WRENCH

- Mobile jaw drop-forged with high quality CrV steel
- Packing: color box



STOCK NO.	SIZE	MAX. CLAMPING DIA.	QTY./ CARTON
10251	1"	40mm	24
10252	1.5"	55mm	12
10253	2"	67mm	8
10254	3"	103mm	4

PIPE WRENCH

- Mobile jaw drop-forged with high quality CrV steel
- Dipped handle
- Packing: hang tag with drawing box



STOCK NO.	SIZE	MAX CLAMPING DIA.	QTY./ CARTON
10067	200mm,8"	27mm	36
10068	250mm,10"	34mm	24
10069	300mm,12"	43mm	12
10070	350mm,14"	50mm	8
10071	450mm,18"	60mm	6
10072	600mm,24"	76mm	4
10073	900mm,36"	105mm	2

45° BENT NOSE PIPE WRENCH

- Mobile jaw drop-forged with high quality CrV steel
- Packing: color box



STOCK NO.	SIZE	MAX CLAMPING DIA.	QTY./ CARTON
10256	1"	40mm	24
10257	1.5"	55mm	12
10258	2"	67mm	8
10259	3"	103mm	4

QUICK-RELEASE WATER PUMP PLIERS

- CrV, black finish
- Dipped handle
- Packing: PP card with color box



STOCK NO.	SIZE	MAX JAWS OPENING	QTY./ CARTON
10329	10"	34mm	36
10330	12"	44mm	36

INTERNAL CIRCLIP PLIERS, STRAIGHT

- High quality tool steel
- Nickel plated
- Dipped handle
- Packing: blister card



STOCK NO.	SIZE	QTY./CARTON
10077	180mm, 7"	60

INDUSTRIAL

INDUSTRIAL

INTERNAL CIRCLIP PLIERS, BENT

- High quality tool steel
- Nickel plated
- Dipped handle
- Packing: blister card



STOCK NO.	SIZE	QTY./CARTON
10082	180mm, 7"	60

EXTERNAL CIRCLIP PLIERS, STRAIGHT

- High quality tool steel
- Nickel plated
- Dipped handle
- Packing: blister card



STOCK NO.	SIZE	QTY./CARTON
10087	180mm, 7"	60

EXTERNAL CIRCLIP PLIERS, BENT

- High quality tool steel
- Nickel plated
- Dipped handle
- Packing: blister card



STOCK NO.	SIZE	QTY./CARTON
10092	180mm, 7"	60

4PCS CIRCLIP PLIERS SET

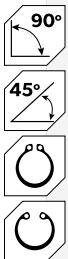
- High quality tool steel
- Nickel plated
- Dipped handle
- Packing: double blister



STOCK NO.	SIZE	QTY./CARTON
10097	180mm, 7"	20

4 IN 1 CIRCLIP PLIERS SET

- High quality tool steel
- Black finish
- Four in one combination design
- 2pcs straight head 180°
- 1pc bent head 90°
- 1pc bent head 45°
- For both internal and external use
- With comfortable plastic coated handles for easy grip
- Packing: blister card



STOCK NO.	SIZE	QTY./CARTON
10100	160mm, 6"	48

FENCING PLIERS

- Drop forged special tool steel, heat treatment
- With hammer head
- Natural Polish
- Dipped handle
- Packing: blister card



STOCK NO.	SIZE	QTY./CARTON
10301	250mm, 10"	24

REVOLVING PUNCH PLIERS

- Punch hole sizes: 2, 2.5, 3, 3.5, 4, 4.5mm
- 40Cr, hardened chrome plated
- Packing: blister card



STOCK NO.	SIZE	QTY./CARTON
10101	220mm,9"	48

BENCH VICE

- Swivel base with anvil
- Hardened and tempered jaws
- Packing: color box



STOCK NO.	SIZE	QTY./CARTON
10103	100mm,4"	1
10104	125mm,5"	1
10105	150mm,6"	1
10106	200mm,8"	1

BENCH VICE

- Swivel base with anvil
- Hardened and tempered jaws
- Packing: color label with color box



STOCK NO.	SIZE	QTY./CARTON
10107	50mm,2"	10

G-CLAMP

- Yellow powder coated bar
- Zinc plated thread bar
- Packing: color sleeve



STOCK NO.	SIZE	QTY./CARTON
10112	75mm,3"	48
10113	100mm,4"	30
10114	150mm,6"	16
10115	200mm,8"	12

F-CLAMP

- Nickel plated bar, Zinc plated thread bar
- Wooden handle
- Packing: color label



STOCK NO.	SIZE	THICKNESS AND WIDTH OF IRON RULER	QTY./CARTON
10123	50x150mm	4.5x14.5mm	50
10125	50x250mm	4.5x14.5mm	30
10151	120x300mm	6.5x28.5mm	12
10153	120x500mm	6.5x28.5mm	10
10155	120x800mm	6.5x28.5mm	8
10156	120x1000mm	6.5x28.5mm	6

F-CLAMP

- Nickel plated bar
- Black finished thread bar
- Two-component plastic handle
- Packing: color label



STOCK NO.	SIZE	THICKNESS AND WIDTH OF IRON RULER	QTY./CARTON
10161	50x150mm	5X15mm	20
10163	50x250mm	5X15mm	20
10189	120x300mm	8X30mm	10
10191	120x500mm	8X30mm	10
10193	120x800mm	8X30mm	8
10194	120x1000mm	8X30mm	6

SPRING CLAMP

- PP+ Fiberglass mixture body
- PE jaws
- Packing: hang tag



STOCK NO.	SIZE	QTY./CARTON
10198	100mm,4"	100
10199	150mm,6"	100

QUICK RATCHET BAR CLAMP

- Hard plastic body
- Black finished bar
- Soft non-marking pads
- Packing: hang tag



STOCK NO.	SIZE	QTY./CARTON
10201	150mm,6"	32
10204	300mm,12"	24
10206	450mm,18"	18
10207	600mm,24"	18

CORNER CLAMP

- Material: aluminium alloy
- Powder coated
- Zinc plated thread bar
- Packing: hang tag



STOCK NO.	SIZE	QTY./CARTON
10210	75mm,3"	48

INDUSTRIAL



MECHANICS TOOLS



ADJUSTABLE WRENCH

- Drop forged special tool steel
- Chrome finish
- Packing: poly bag+hang tag



STOCK NO.	SIZE	MAX JAWS OPENING	QTY./ CARTON
15001	150mm,6"	19mm, 3/4"	96
15002	200mm,8"	24mm, 15/16"	48
15003	250mm,10"	30mm, 1-3/16"	36
15004	300mm,12"	35mm, 1-3/8"	24
15005	375mm,15"	43mm, 1-11/16"	16
15006	450mm,18"	52mm, 2-1/16"	12

3PCS ADJUSTABLE WRENCHES SET

- Drop forged special tool steel
- Chrome finish
- Packing: double blister



STOCK NO.	SIZE	MAX JAWS OPENING	QTY./ CARTON
15007	150mm,6" 200mm,8" 250mm,10"	19mm, 3/4" 24mm, 15/16" 30mm, 1-3/16"	20

ADJUSTABLE WRENCH

- Drop forged high quality tool steel
- Chrome finish
- Two-component plastic handle
- Packing: plastic hanger with color label



STOCK NO.	SIZE	MAX JAWS OPENING	QTY./ CARTON
15008	150mm,6"	19mm, 3/4"	60
15009	200mm,8"	24mm, 15/16"	36
15010	250mm,10"	30mm, 1-3/16"	24
15011	300mm,12"	35mm, 1-3/8"	16

ADJUSTABLE WRENCH

- Drop forged high quality tool steel
- Black finished and polished
- Two-component plastic handle
- Packing: double blister



STOCK NO.	SIZE	MAX JAWS OPENING	QTY./ CARTON
15308	150mm,6"	19mm, 3/4"	60
15309	200mm,8"	24mm, 15/16"	36
15310	250mm,10"	30mm, 1-3/16"	24
15311	300mm,12"	35mm, 1-3/8"	16

STUBBY ADJUSTABLE WRENCH

- CrV
- Chrome finish
- Two-component plastic handle
- Packing: blister card



STOCK NO.	SIZE	MAX JAWS OPENING	QTY./ CARTON
15280	165mm,6.5"	30mm	36

DOUBLE OPEN END SPANNER

- CrV
- Chrome plated, satin finish
- Packing: flag label



STOCK NO.	SIZE	QTY./CARTON
15051	6x7mm	360
15052	8x9mm	360
15053	10x11mm	240
15054	12x13mm	240
15055	14x15mm	120
15056	16x17mm	120
15057	18x19mm	60
15058	20x22mm	60
15059	21x23mm	60
15060	24x27mm	30
15061	25x28mm	30
15062	30x32mm	30

COMBINATION SPANNER

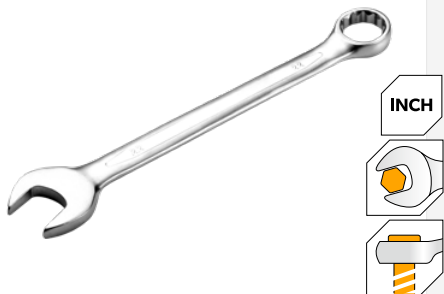
- CrV
- Chrome plated, satin finish
- Packing: flag label



STOCK NO.	SIZE	QTY./CARTON
15014	6mm	360
15015	7mm	360
15016	8mm	360
15017	9mm	360
15018	10mm	300
15019	11mm	240
15020	12mm	240
15021	13mm	180
15022	14mm	120
15023	15mm	120
15024	16mm	120
15025	17mm	90
15026	18mm	90
15027	19mm	90
15028	20mm	90
15029	21mm	60
15030	22mm	60
15031	23mm	60
15032	24mm	48
15033	25mm	48
15034	26mm	48
15035	27mm	48
15036	28mm	30
15037	29mm	30
15038	30mm	30
15039	32mm	30
15040	35mm	20
15041	38mm	20
15042	41mm	10

COMBINATION SPANNER

- CrV
- Mirror finish
- Packing: flag label



STOCK NO.	SIZE	QTY./CARTON
15314	1/4"	360
15316	5/16"	360
15318	3/8"	300
15319	7/16"	240
15321	1/2"	180
15322	9/16"	120
15324	5/8"	120
15326	11/16"	90
15327	3/4"	90
15329	13/16"	60
15330	7/8"	60
15332	15/16"	48
15333	1"	48
15335	1-1/16"	48
15337	1-1/8"	30
15339	1-1/4"	30
15340	1-3/8"	20
15341	1-1/2"	20
15342	1-5/8"	10

DOUBLE RING SPANNER

- CrV
- Chrome plated, satin finish
- Packing: flag label



STOCK NO.	SIZE	QTY./CARTON
15063	6x7mm	240
15064	8x9mm	240
15065	10x11mm	180
15066	12x13mm	180
15067	14x15mm	120
15068	16x17mm	120
15069	18x19mm	60
15070	20x22mm	60
15071	21x23mm	60
15072	24x27mm	30
15073	25x28mm	30
15074	30x32mm	30

8PCS COMBINATION SPANNERS SET

- CrV
- Chrome plated, satin finish
- Packing: pouch



STOCK NO.	SIZE	QTY./CARTON
15159	8, 10, 12, 13, 14, 15, 17, 19 mm	12

12PCS COMBINATION SPANNERS SET

- CrV
- Chrome plated, satin finish
- Packing: pouch



STOCK NO.	SIZE	QTY./CARTON
15075	6, 7, 8, 9, 10, 11, 12, 13, 14, 17, 19, 22 mm	12

14PCS COMBINATION SPANNERS SET

- CrV
- Chrome plated, satin finish
- Packing: pouch



STOCK NO.	SIZE	QTY./CARTON
15160	6, 7, 8, 10, 12, 13, 14, 17, 19, 22, 24, 27, 30, 32 mm	4

8PCS DOUBLE OPEN END SPANNERS SET

- CrV
- Chrome plated, satin finish
- Packing: pouch



STOCK NO.	SIZE	QTY./CARTON
15076	6x7, 8x9, 10x11, 12x13, 14x15, 16x17, 18x19, 20x22mm	12

12PCS DOUBLE OPEN END SPANNERS SET

- CrV
- Chrome plated, satin finish
- Packing: pouch



STOCK NO.	SIZE	QTY./CARTON
15165	6x7, 8x9, 10x11, 12x13, 14x15, 16x17, 18x19, 20x22, 21x23, 24x27, 25x28, 30x32mm	4

8PCS DOUBLE RING SPANNERS SET

- CrV
- Chrome plated, satin finish
- Packing: pouch



STOCK NO.	SIZE	QTY./CARTON
15077	6x7, 8x9, 10x11, 12x13, 14x15, 16x17, 18x19, 20x22mm	12

12PCS DOUBLE RING SPANNERS SET

- Cr-V
- Chrome plated, satin finish
- Packing: pouch



STOCK NO.	SIZE	QTY./CARTON
15170	6x7,8x9,10x11,12x13,14x15,16x17,18x19,20x22,21x23,24x27,25x28,30x32mm	4

5PCS COMBINATION SPANNERS SET

- Cr-V
- Chrome plated, satin finish
- Packing: plastic hanger



STOCK NO.	SIZE	QTY./CARTON
15155	8/10/12/14/17mm	24

8PCS COMBINATION SPANNERS SET (INCH)

- Cr-V
- Mirror finish
- Packing: plastic hanger

NEW



STOCK NO.	SIZE	QTY./CARTON
15375	5/16"-3/8"-7/16"-1/2"-9/16"-5/8"-11/16"-3/4"	12

12PCS COMBINATION SPANNERS SET (INCH)

- Cr-V
- Mirror finish
- Packing: plastic hanger

NEW



STOCK NO.	SIZE	QTY./CARTON
15376	1/4"-5/16"-3/8"-7/16"-1/2"-9/16"-5/8"-11/16"-3/4"-13/16"-7/8"-15/16"	10

SCAFFOLD WRENCH

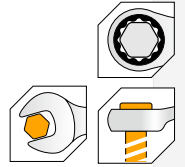
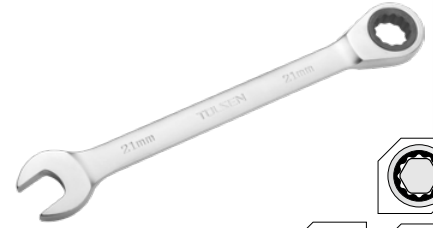
- Special tool steel body
- CrV socket with 12 points
- Black finished
- Packing: hang tag



STOCK NO.	SIZE	QTY./CARTON
15292	17 x 19mm	32
15293	17 x 21mm	32
15295	19 x 21mm	32
15296	19 x 22mm	32
15297	19 x 24mm	24

FIXED COMBINATION RATCHET SPANNER

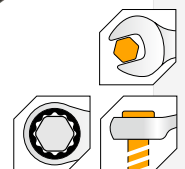
- CrV
- Chrome plated, satin finish
- Packing: color box



STOCK NO.	SIZE	QTY./CARTON
15204	8mm	200
15205	9mm	200
15206	10mm	200
15207	11mm	200
15208	12mm	100
15209	13mm	100
15210	14mm	100
15211	15mm	100
15212	16mm	100
15213	17mm	100
15214	18mm	50
15215	19mm	50
15216	20mm	50
15217	21mm	50
15218	22mm	50
15219	23mm	50
15220	24mm	50
15221	25mm	50
15223	27mm	40
15226	30mm	24
15228	32mm	16

7PCS FIXED HEAD COMBINATION RATCHET SPANNER SET

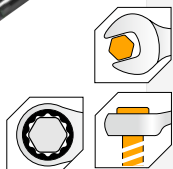
- CrV
- Chrome plated, satin finish
- Packing: plastic hanger with color label



STOCK NO.	SIZE	QTY./CARTON
15229	8, 10, 12, 13, 14, 17, 19mm	20

7PCS FLEXIBLE HEAD COMBINATION RATCHET SPANNER SET

- CrV
- Chrome plated, satin finish
- Packing: plastic hanger with color label



STOCK NO.	SIZE	QTY./CARTON
15259	8, 10, 12, 13, 14, 17, 19mm	20

UNIVERSAL WRENCH

- Special tool steel
- Chrome finished surface
- Two-component plastic handle
- Packing: blister card



STOCK NO.	SIZE	QTY./CARTON
15282	9-32mm	24

CROSS RIM WRENCH

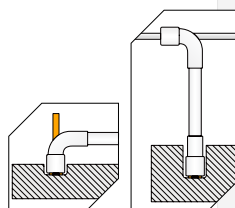
- Powder coated
- Cross design provides extra leverage and torque
- Packing: plastic hanger



STOCK NO.	SIZE	QTY./CARTON
15079	14" 17x19x21x23 mm	12

L-TYPE WRENCH

- Drop forged special tool steel, heat treated
- Mirror polished, chrome finish
- Packing: flag label



STOCK NO.	SIZE	QTY./CARTON
15087	8mm	120
15089	10mm	100
15091	12mm	60
15092	13mm	60
15093	14mm	60
15096	17mm	40
15098	19mm	30

T-TYPE WRENCH

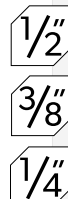
- Chrome plated, satin finish
- Packing: paper hanger



STOCK NO.	SIZE	QTY./CARTON
15110	8x180x280mm	60
15111	9x180x280mm	60
15112	10x180x280mm	60
15113	12x180x280mm	60
15114	13x180x280mm	60
15115	14x180x280mm	60
15116	17x180x280mm	60
15117	19x180x280mm	60

REVERSIBLE RATCHET

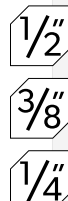
- CrMo
- Satin finish
- Two-component ergonomic ratchet handle, 72T, CrV, quick release
- Packing: plastic hanger with color label



STOCK NO.	SIZE	QTY./CARTON
15118	1/4"	30
15119	3/8"	20
15120	1/2"	20

EXTENSION BAR

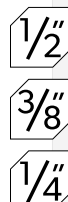
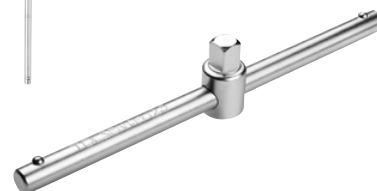
- CrV
- Satin finish
- Packing: plastic hanger with color label



STOCK NO.	SIZE	QTY./CARTON
15121	1/4" x 50mm (2")	144
15122	1/4" x 100mm (4")	72
15123	3/8" x 75mm (3")	72
15124	3/8" x 150mm (6")	72
15127	1/2" x 125mm (5")	72
15128	1/2" x 250mm (10")	36

SLIDING BAR

- CrV
- Satin finish
- Packing: plastic hanger with color label



STOCK NO.	SIZE	QTY./CARTON
15129	1/4" x 115mm (4.5")	144
15130	3/8" x 160mm (6")	72
15131	1/2" x 250mm (10")	36

UNIVERSAL JOINT

- CrV
- Satin finish
- Packing: plastic hanger with color label



1/2"

3/8"

1/4"

STOCK NO.	SIZE	QTY./CARTON
15132	1/4" x 40mm	144
15133	3/8" x 56mm	72
15134	1/2" x 75mm	36

SPARK PLUG SOCKET

- CrV
- Satin finish
- Packing: plastic hanger with color label



1/2"

3/8"

STOCK NO.	SIZE	QTY./CARTON
15501	3/8" x 5/8"	72
15502	3/8" x 13/16"	72
15503	1/2" x 5/8"	72
15504	1/2" x 13/16"	72

SOCKET BIT

- CrV
- Satin finish
- Packing: plastic hanger with color label



1/2"

STOCK NO.	SIZE	QTY./CARTON
15552	1/2" x 3/16"	72
15553	1/2" x 1/4"	72
15554	1/2" x 5/16"	72
15555	1/2" x 3/8"	72
15557	1/2" x 1/2"	72

INDUSTRIAL

14PCS 1/4" RATCHET HANDLE WITH SOCKETS SET

- 12pcs metric CrV sockets: 4,5,5.5,6,7,8,9,10,11,12,13,14mm
- 1pc CrV extension bar: 50mm
- 1pc two-component ergonomic ratchet handle, 72T, CrV, quick release
- Packing: plastic hanger with color label



1/4"

STOCK NO.	SIZE	QTY./CARTON
15150	1/4"	20

12PCS 3/8" RATCHET HANDLE WITH SOCKETS SET

- 10pcs metric CrV sockets: 8,10,11,12,13,14,16,17,18,19mm
- 1pc CrV extension bar: 75mm
- 1pc two-component ergonomic ratchet handle, 72T, CrV, quick release
- Packing: plastic hanger with color label



3/8"

STOCK NO.	SIZE	QTY./CARTON
15151	3/8"	15

12PCS 1/2" RATCHET HANDLE WITH SOCKETS SET

- 10pcs metric CrV sockets: 10,12,13,14,16,17,18,19,21,22mm
- 1pc CrV extension bar: 125mm
- 1pc two-component ergonomic ratchet handle, 72T, CrV, quick release
- Packing: plastic hanger with color label



1/2"

STOCK NO.	SIZE	QTY./CARTON
15152	1/2"	10

INDUSTRIAL

46PCS 1/4" SOCKET SET

- 21pcs socket bits: S2 material of bits
Torx: T10, T15, T20, T25, T30, T40
Phillips: PH1, PH2, PH3
Slot: 4, 5.5, 6.5mm
Pozi: PZ1, PZ2, PZ3
Hex: 2, 2.5, 3, 4, 5, 6mm
- 1pc two-component ergonomic ratchet handle, 72T, CrV, quick release
- 13pcs metric CrV sockets: 4, 4.5, 5, 5.5, 6, 7, 8, 9, 10, 11, 12, 13, 14mm
- 1pc CrV sliding bar
- 1pc CrV screwdriver handle
- 1pc CrV universal joint
- 2pcs CrV extension bar: 50, 100mm
- 1pc CrV adaptor: 25mm
- 1pc CrV flexible bar: 150mm
- 4pcs CrV hex keys: 1.27, 1.5, 2.0, 2.5mm
- Packing: blow mould case



1/4"

STOCK NO.	SIZE	QTY./CARTON
15138	1/4"	10

22PCS 1/2" SOCKET SET

- 15pcs metric CrV sockets: 10, 11, 12, 13, 14, 15, 16, 17, 18, 19, 22, 24, 27, 30, 32mm
- 2pcs CrV spark plug sockets: 16, 21mm
- 1pc two-component ergonomic ratchet handle, 72T, CrV, quick release
- 2pcs CrV extension bar: 125, 250mm
- 1pc CrV universal joint
- 1pc CrV 3way adaptor
- Packing: blow mould case



1/2"

STOCK NO.	SIZE	QTY./CARTON
15139	1/2"	4

INDUSTRIAL

INDUSTRIAL

INDUSTRIAL

39PCS 1/4" & 1/2" SOCKET SET

- 17pcs 1/2" CrV sockets: 8, 9, 10, 11, 12, 13, 14, 15, 16, 17, 18, 19, 20, 21, 22, 23, 24mm
- 2pcs two-component ergonomic ratchet handle: 1/2", 1/4"; 72T, CrV, quick release
- 1pc 1/2" CrV universal joint
- 2pcs 1/2" CrV extension bar: 125, 250mm
- 1pc 1/2" CrV 3way adaptor
- 12pcs 1/4" CrV sockets: 4, 5, 5.5, 6, 7, 8, 9, 10, 11, 12, 13, 14mm
- 1pc 1/4" CrV universal joint
- 2pcs 1/4" CrV extension bar: 50, 100mm
- 1pc 1/4" CrV socket handle: 150mm
- Packing: blow mould case

INDUSTRIAL



1/4"
1/2"

STOCK NO.	SIZE	QTY./CARTON
15140	1/4" & 1/2"	4

AUTOMATIC TORQUE WRENCH SET

- 1pc Automatic torque wrench, 1/2", GS approved, ±4% accuracy deviation, torque range : 28-210Nm
- 1pc Extension bar : 1/2" x 125mm
- Packing: plastic box with color label + shrink

INDUSTRIAL



STOCK NO.	SIZE	QTY./CARTON
16010	1/2"	6sets

1/2" SOCKET

- Material: 50BV30, heat treatment
- Acc.to DIN3124, ISO2725-1
- 1/2" Square driver as per DIN3120, ISO1174, with ball retaining groove
- Hand-operated, polished, chrome-plated
- Packing: plastic hanger with color label

INDUSTRIAL



1/2"
DIN
ISO

STOCK NO.	SIZE	QTY./CARTON
16508	8mm	160
16509	9mm	160
16510	10mm	160
16511	11mm	160
16512	12mm	160
16513	13mm	160
16514	14mm	160
16515	15mm	160
16516	16mm	160
16517	17mm	120
16518	18mm	120
16519	19mm	120
16520	20mm	120
16521	21mm	120
16522	22mm	96
16523	23mm	96
16524	24mm	96
16527	27mm	48
16530	30mm	48
16532	32mm	48

24PCS 1/2" SOCKET SET

- 18pcs 1/2" CrV Dr. Sockets: 10,11,12,13,14,15,16,17,18,19,20,21,22,23,24,27,30,32mm;
- 2pcs 1/2" Dr. extension bars: 5", 10"
- 1pc 1/2" Dr. sliding T bar 10"
- 1pc 1/2" Dr. universal joint
- 1pc 1/2" Dr. speeder handle
- 1pc 1/2" Dr. ratchet handle
- Packing: steel case

INDUSTRIAL

NEW



STOCK NO.	SIZE	QTY./CARTON
15141	1/2"	1

1/2"

3/8" SOCKET

- Material: 50BV30, Heat treatment,
- Acc.to DIN3124, ISO2725-1
- 3/8" Square driver as per DIN3120, ISO1174, with ball retaining groove
- Hand-operated, polished, chrome-plated
- Packing: plastic hanger

INDUSTRIAL



3/8"
DIN
ISO

STOCK NO.	SIZE	QTY./CARTON
16308	8mm	160
16309	9mm	160
16310	10mm	160
16311	11mm	160
16312	12mm	160
16313	13mm	160
16314	14mm	160
16315	15mm	160
16316	16mm	160
16317	17mm	120
16318	18mm	120
16319	19mm	120

1/2" DEEP SOCKET

- Material: 50BV30, heat treatment
- Acc. to DIN3124, ISO2725-1
- 1/2" Square driver as per DIN3120, ISO1174, with ball retaining groove
- Hand-operated, polished, chrome-plated
- Packing: plastic hanger with color label



INDUSTRIAL



1/2"

DIN

ISO

STOCK NO.	SIZE	QTY./CARTON
16558	8mm	160
16559	9mm	160
16560	10mm	160
16561	11mm	160
16562	12mm	160
16563	13mm	160
16564	14mm	160
16565	15mm	160
16566	16mm	160
16567	17mm	120
16568	18mm	120
16569	19mm	120
16570	20mm	120
16571	21mm	120
16572	22mm	96
16573	23mm	96
16574	24mm	80
16577	27mm	64
16580	30mm	48
16582	32mm	48

3/8" DEEP SOCKET

- Material: 50BV30, heat treatment
- Acc. to DIN3124, ISO2725-1
- 3/8" Square driver as per DIN3120, ISO1174, with ball retaining groove
- Hand-operated, polished, chrome-plated
- Packing: plastic hanger with color label



INDUSTRIAL



3/8"

DIN

ISO

STOCK NO.	SIZE	QTY./CARTON
16358	8mm	160
16359	9mm	160
16360	10mm	160
16361	11mm	160
16362	12mm	160
16363	13mm	160
16364	14mm	160
16365	15mm	160
16366	16mm	160
16367	17mm	120
16368	18mm	120
16369	19mm	120



FASTENING TOOLS

SCREWDRIVER, STUBBY

- CrV
- Two-component comfortable grip
- Black finish magnetic tip
- Packing: plastic hanger with color box



GRIPPro series



STOCK NO.	SIZE	QTY./CARTON
20131	5.5 x 38mm	144
20132	6.5 x 38mm	144

SCREWDRIVER

- CrV
- Two-component comfortable grip
- Black finish magnetic tip
- Packing: plastic hanger with color box



GRIPPro series



STOCK NO.	SIZE	QTY./CARTON
20001	3.0x75mm	144
20002	4.0x100mm	144
20144	6.5x100mm	72
20003	5.5x100mm	144
20004	6.5x150mm	72
20005	8.0x150mm	72

SCREWDRIVER, STUBBY

- CrV
- Two-component comfortable grip
- Black finish magnetic tip
- Packing: plastic hanger with color box



GRIPPro series



STOCK NO.	SIZE	QTY./CARTON
20133	PH1 x 38mm	144
20134	PH2 x 38mm	144

SCREWDRIVER

- CrV
- Two-component comfortable grip
- Black finish magnetic tip
- Packing: plastic hanger with color box



GRIPPro series



STOCK NO.	SIZE	QTY./CARTON
20006	PH0x75mm	144
20007	PH1x100mm	144
20154	PH2x100mm	72
20008	PH2x150mm	72
20009	PH3x150mm	72

SCREWDRIVER

- CrV
- Two-component comfortable grip
- Black finish magnetic tip
- Packing: plastic hanger with color box



GRIPPro series



STOCK NO.	SIZE	QTY./CARTON
20010	PZ0x75mm	144
20011	PZ1x100mm	144
20164	PZ2x100mm	72
20012	PZ2x150mm	72
20013	PZ3x150mm	72

6PCS SCREWDRIVER SET

- CrV
- Two-component comfortable grip
- Black finish magnetic tip
- Packing: double blister

GRIPPro
series



STOCK NO.	SIZE	QTY./CARTON
20014	5.5x100, 6.5x150; PH1x100, PH2x150; PZ1x100, PZ2x150	20

4PCS SCREWDRIVER SET

- CrV
- Two-component comfortable grip
- Black finish magnetic tip
- Packing: double blister



STOCK NO.	SIZE	QTY./CARTON
20015	4.0x100, 6.5x150, PH1x100, PH2x150	20

SCREWDRIVER

- CrV
- Transparent PVC handle
- Magnetic tip
- Packing: color box



STOCK NO.	SIZE	QTY./CARTON
20016	3.0x75mm	144
20017	4.0x100mm	144
20018	5.0x100mm	144
20019	6.0x150mm	72

SCREWDRIVER

- CrV
- Transparent PVC handle
- Magnetic tip
- Packing: color box



STOCK NO.	SIZE	QTY./CARTON
20021	PH0x75mm	144
20022	PH1x100mm	144
20023	PH2x150mm	72

SCREWDRIVER

- CrV
- Transparent PVC handle
- Magnetic tip
- Packing: color box



STOCK NO.	SIZE	QTY./CARTON
20025	PZ0x75mm	144
20026	PZ1x100mm	144
20027	PZ2x150mm	72

6PCS SCREWDRIVER SET

- CrV
- Transparent PVC handle
- Magnetic tip
- Packing: double blister



STOCK NO.	SIZE	QTY./CARTON
20029	3x75, 5x100, 6x150; PH0x75, PH1x100, PH2x150	20

6PCS PRECISION SCREWDRIVER SET

- CrV
- Ergonomic comfort-grip handle
- Packing: plastic box



STOCK NO.	SIZE	QTY./CARTON
20030	2x50, 2.5x50, 3.0x50; PH000x50, PH00x50, PH0x50	36

6PCS PRECISION SCREWDRIVER SET

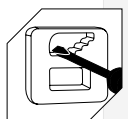
- Packing: plastic box+color box



STOCK NO.	SIZE	QTY./CARTON
20031	1.4x0.5, 2.0x0.5, 2.4x0.6, 3.0x0.6; PH0, PH1	100

SCREWDRIVER MAGNETIZER

- Material: PP
- Packing: double blister



STOCK NO.	SIZE	QTY./CARTON
20032		96

7 IN 1 RATCHET DRIVER

- 1pc ratchet handle
- 7pcs 25mm bits: 4, 5, 6, PH0, PH1, PH2, PH3
- CrV
- Packing: double blister



STOCK NO.	SIZE	QTY./CARTON
20033		48

14 IN 1 RATCHET SCREWDRIVER

- 1pc ratchet screwdriver
- 1pc bits holder 60mm
- 12pcs bits (6.35x25mm)
- SL: 3, 4, 5, 6mm
- PH: PH0, PH1, PH2, PH3
- TX: T10, T15, T20, T25
- Packing: double blister



STOCK NO.	SIZE	QTY./CARTON
20040		36

2 IN 1 SCREWDRIVER SET

- Two-way blade size: 6.35x135mm, PH2+SL6mm
- CrV
- With 1pc interchangeable handle
- Packing: double blister



STOCK NO.	SIZE	QTY./CARTON
20042		120

6 IN 1 SCREWDRIVER SET

- 2 pcs two-way CrV bits: 6.35x65mm, PH1+SL5
- 8.00x75mm, PH2+SL6
- Two-way hex bit holder: 6mm+8mm
- With 1pc interchangeable handle
- Packing: double blister



STOCK NO.	SIZE	QTY./CARTON
20043		60

26PCS BITS SET

- 1pc ratchet handle
- 1pc bit holder: 60mm
- 25mm CrV bits:
- SL: 4, 5, 6, 7mm
- PH: PH0, PH1, PH2, PH3
- PZ: PZ0, PZ1, PZ2, PZ3
- HEX: 2, 2.5, 3, 4, 5, 6mm
- TX: T10, T15, T20, T25, T30, T40
- Packing: plastic box



STOCK NO.	SIZE	QTY./CARTON
20034		20

38PCS BITS & SOCKETS SET

- 9pcs 1/4" sockets: 5, 6, 7, 8, 9, 10, 11, 12, 13mm
- 25mm CrV bits:
- SL: 3, 4, 5, 6mm
- PH: PH0, PH1, PH2, PH3
- PZ: PZ0, PZ1, PZ2, PZ3
- HEX: 2, 2.5, 3, 4, 5, 5.5, 6mm
- TX: T10, T15, T20, T25, T27, T30, T40
- 1pc 3" extension Bar
- 1pc 1/4" bit adaptor
- 1pc 1/4" handle
- Packing: plastic box



STOCK NO.	SIZE	QTY./CARTON
20035		20

41PCS BITS & SOCKETS SET

- 1pc quick change T-handle
- 1pc 25mm CrV adaptor
- 1pc 140mm extension bar
- 6pcs sockets: 5, 6, 7, 8, 10, 12mm
- 32pcs 25mm CrV bits:
- SL: 3, 4, 5, 6, 7mm
- PH: 2XPH0, 2XPH1, 3XPH2, 2XPH3
- PZ: PZ0, PZ1, PZ2, PZ3
- HEX: 2, 3, 4, 5, 6mm
- TX: T8, T9, T10, T15, T20, T25, T27, T30, T40
- Packing: plastic box



STOCK NO.	SIZE	QTY./CARTON
20036		20

42PCS BITS & SOCKETS SET

- 1pc ratchet screwdriver
- 16pcs bits (6.35x25mm):
- SL: 3, 4, 5, 6mm
- PH: PH0, PH1, PH2, PH3
- TX: T10, T15, T20, T25
- HEX: H3, H4, H5, H6
- 1pc adaptor 25mm
- 1pc precision bits driver
- 1pc magnetic holder
- 12pcs precision bits (4x28mm)
- SL: 2, 2.5, 3mm
- PH: PH0, PH00, PH000,
- TX: T5, T6, T7,
- HEX: H1.3, H1.5, H2.0
- 9pcs 1/4" sockets:
- 4, 5, 6, 7, 8, 9, 10, 11, 12mm
- Packing: color sticker



STOCK NO.	SIZE	QTY./CARTON
20041		20

9PCS HAND TOOLS SET

- 1pc 3M/10ftx16mm measuring tape
- 1pc PH1x100mm phillips screwdriver
- 1pc SL5.5x100mm slotted screwdriver
- 1pc 200mm/8" adjustable wrench
- 1pc 160mm/6" diagonal cutting pliers
- 1pc 180mm/7" combination pliers
- 1pc snap-off blade knife
- 1pc 3x140mm voltage tester
- 1pc 19mmx10yards pvc insulating tape
- Packing: canvas bag



STOCK NO.	SIZE	QTY./CARTON
85301		10

5PCS CHANGEABLE SCREWDRIVER SET

- SL: 3x0.6x38mm, 5x1.0x38mm
- PH: PH0x38mm, PH1x38mm
- 1pc handle
- Packing: double blister



STOCK NO.	SIZE	QTY./CARTON
20037		72

9PCS CHANGEABLE SCREWDRIVER SET

- 1pc scratch awl: 3mm
- PH: PH0x38mm, PH1x38mm, PH2x38mm
- SL: 1.6x0.4x38mm, 3x0.6x38mm, 5x1.0x38mm, 6x1.2x38mm
- Packing: plastic box



STOCK NO.	SIZE	QTY./CARTON
20038		60

8-IN-1 SCREWDRIVER SET

- SL: 3.0x65, 5.0x65, 6.0x65mm
- PH: PH0x65, PH1x65, PH2x65mm
- 1pc scratch awl 3x65mm
- 1pc tack remover 5x65mm
- 1pc handle
- Packing: plastic box



STOCK NO.	SIZE	QTY./CARTON
20039		48

2PCS SCREWDRIVER BITS SET

- S2 industrial steel , hardened and tempered
- Satin finished
- Packing: blister card



STOCK NO.	SIZE	QTY./CARTON
20202	SL0.5x4.0x25mm	320
20203	SL0.6x4.5x25mm	320
20205	SL0.8x5.5x25mm	320
20207	SL1.2x6.5x25mm	320

2PCS SCREWDRIVER BITS SET

- S2 industrial steel , hardened and tempered
- Satin finished
- Anti-slip tip
- Packing: blister card



STOCK NO.	SIZE	QTY./CARTON
20212	PH1x25mm	320
20213	PH2x25mm	320
20214	PH3x25mm	320

2PCS SCREWDRIVER BITS SET

- S2 industrial steel , hardened and tempered
- Satin finished
- Anti-slip tip
- Packing: blister card



STOCK NO.	SIZE	QTY./CARTON
20217	PZ1x25mm	320
20218	PZ2x25mm	320
20219	PZ3x25mm	320

2PCS SCREWDRIVER BITS SET

- S2 industrial steel , hardened and tempered
- Satin finished
- Packing: blister card



STOCK NO.	SIZE	QTY./CARTON
20221	T10x25mm	320
20222	T15x25mm	320
20223	T20x25mm	320
20224	T25x25mm	320
20225	T27x25mm	320
20226	T30x25mm	320
20227	T40x25mm	320

2PCS SCREWDRIVER BITS SET

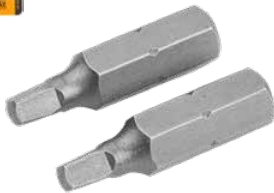
- S2 industrial steel , hardened and tempered
- Satin finished
- Packing: blister card



STOCK NO.	SIZE	QTY./CARTON
20233	H3x25mm	320
20234	H4x25mm	320
20235	H5x25mm	320
20236	H6x25mm	320

2PCS SCREWDRIVER BITS SET

- S2 industrial steel , hardened and tempered
- Satin finished
- Packing: blister card



STOCK NO.	SIZE	QTY./CARTON
20238	S1x25mm	320
20239	S2x25mm	320
20240	S3x25mm	320

5PCS SCREWDRIVER BITS SET

- S2 industrial steel , hardened and tempered
- Satin finished
- Anti-slip tip
- Packing: blister card



STOCK NO.	SIZE	QTY./CARTON
20271	PH2x25mm	160

5PCS SCREWDRIVER BITS SET

- S2 industrial steel , hardened and tempered
- Satin finished
- Anti-slip tip
- Packing: blister card



STOCK NO.	SIZE	QTY./CARTON
20273	PZ2x25mm	160

5PCS SCREWDRIVER BITS SET

- S2 industrial steel , hardened and tempered
- Satin finished
- Packing: blister card



STOCK NO.	SIZE	QTY./CARTON
20276	T20x25mm	160
20277	T25x25mm	160
20279	T30x25mm	160

5PCS SCREWDRIVER BITS SET

- S2 industrial steel , hardened and tempered
- Satin finished
- Packing: blister card



STOCK NO.	SIZE	QTY./CARTON
20280	S2x25mm	160

5PCS SCREWDRIVER BITS SET

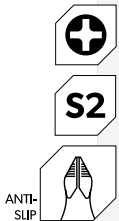
- S2 industrial steel , hardened and tempered
- Satin finished
- Packing: blister card



STOCK NO.	SIZE	QTY./CARTON
20285	SL3.0-4.0-4.5-5.5-6.5x25mm	160

5PCS SCREWDRIVER BITS SET

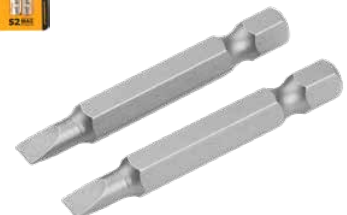
- S2 industrial steel , hardened and tempered
- Satin finished
- Anti-slip tip
- Packing: blister card



STOCK NO.	SIZE	QTY./CARTON
20286	PH0-PH1-PH2-PH2-PH3x25mm	160

2PCS SCREWDRIVER BITS SET

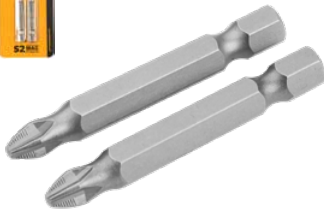
- S2 industrial steel , hardened and tempered
- Satin finished
- Packing: blister card



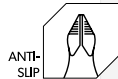
STOCK NO.	SIZE	QTY./CARTON
20302	SL0.5x4.0x50mm	320
20303	SL0.6x4.5x50mm	320
20305	SL0.8x5.5x50mm	320
20307	SL1.2x6.5x50mm	320

2PCS SCREWDRIVER BITS SET

- S2 industrial steel , hardened and tempered
- Satin finished
- Anti-slip surface
- Packing: blister card



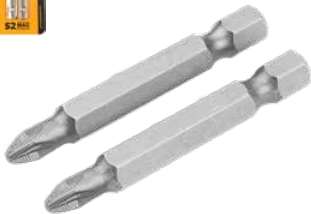
INDUSTRIAL



STOCK NO.	SIZE	QTY./CARTON
20312	PH1x50mm	320
20313	PH2x50mm	320
20314	PH3x50mm	320

2PCS SCREWDRIVER BITS SET

- S2 industrial steel , hardened and tempered
- Satin finished
- Anti-slip surface
- Packing: blister card



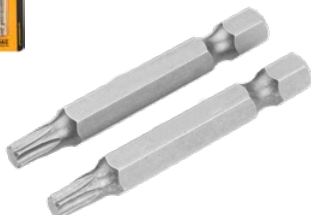
INDUSTRIAL



STOCK NO.	SIZE	QTY./CARTON
20317	PZ1x50mm	320
20318	PZ2x50mm	320
20319	PZ3x50mm	320

2PCS SCREWDRIVER BITS SET

- S2 industrial steel , hardened and tempered
- Satin finished
- Packing: blister card



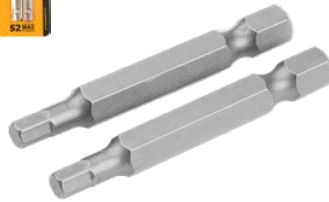
INDUSTRIAL



STOCK NO.	SIZE	QTY./CARTON
20321	T10x50mm	320
20322	T15x50mm	320
20323	T20x50mm	320
20324	T25x50mm	320
20325	T27x50mm	320
20326	T30x50mm	320
20327	T40x50mm	320

2PCS SCREWDRIVER BITS SET

- S2 industrial steel , hardened and tempered
- Satin finished
- Packing: blister card



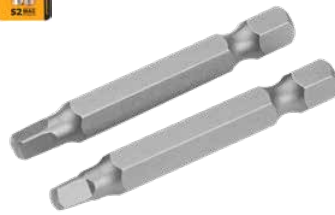
INDUSTRIAL



STOCK NO.	SIZE	QTY./CARTON
20333	H3x50mm	320
20334	H4x50mm	320
20335	H5x50mm	320
20336	H6x50mm	320

2PCS SCREWDRIVER BITS SET

- S2 industrial steel , hardened and tempered
- Satin finished
- Packing: blister card



INDUSTRIAL



STOCK NO.	SIZE	QTY./CARTON
20338	S1x50mm	320
20339	S2x50mm	320
20340	S3x50mm	320

10PCS DOUBLE END SCREWDRIVER BITS SET

- S2 industrial steel , hardened and tempered
- Satin finished
- Packing: blister card



INDUSTRIAL



STOCK NO.	SIZE	QTY./CARTON
20360	PH2/PH2x65mm	100

10PCS DOUBLE END SCREWDRIVER BITS SET

- S2 industrial steel , hardened and tempered
- Satin finished
- Packing: blister card



INDUSTRIAL



STOCK NO.	SIZE	QTY./CARTON
20361	PH2/SL5.5x65mm	100

15PCS SCREWDRIVER BITS SET

- 14 pcs 6.35x25mm S2 satin finished bits
Size: SL5, SL6, SL7, PH1, PH2, PH3, PZ1, PZ2, PZ3, T10, T15, T20, T25, T30
- 1pc 1/4"x60mm screwdriver bit holder with strong magnet
- Packing: plastic box



STOCK NO.	SIZE	QTY./CARTON
20365		96

3PCS NUT SOCKET SET

- Without magnetic
- 1/4" hex bits
- Length: 38mm
- Packing: skin card



STOCK NO.	SIZE	QTY./CARTON
77803	8mm	100
77812	3/8"	100

3PCS MAGNETIC NUT SOCKET SET

- 40Cr steel
- With strong magnetic
- 1/4" quick release hex bits
- Length: 48mm
- Packing: skin card



1/4"



STOCK NO.	SIZE	QTY./CARTON
77823	8mm	100
77825	10mm	100
77830	1/4"	100
77831	5/16"	100
77832	3/8"	100
77838	1/4"+5/16"+3/8"	100

3PCS MAGNETIC NUT SOCKET SET

- 40Cr steel
- With strong magnetic
- 1/4" quick release hex bits
- Length: 65mm
- Packing: skin card



1/4"



STOCK NO.	SIZE	QTY./CARTON
77841	6mm	100
77842	7mm	100
77843	8mm	100
77845	10mm	100
77846	11mm	100
77847	12mm	100
77848	13mm	100
77858	1/4"+5/16"+3/8"	100

2PCS SCREWDRIVER BIT HOLDER SET

- Material: steel + CrV
- With strong magnetic
- 1/4" quick release hex bits
- Packing: blister card



1/4"



STOCK NO.	SIZE	QTY./CARTON
77861	60mm	100

SCREWDRIVER BIT HOLDER WITH QUICK RELEASE

- Material: CrV+Stainless steel +Aluminium
- Packing: blister card

INDUSTRIAL



1/4"

STOCK NO.	SIZE	QTY./CARTON
77863	60mm	100

3PCS ADAPTOR

- DIN3123
- Material: 40Cr
- Sand blasting finishing
- Packing: blister card



1/4"

3/8"

1/2"

STOCK NO.	SIZE	QTY./CARTON
77864	1/4"x65mm 3/8"x65mm 1/2"x70mm	100

3PCS SDS-PLUS ADAPTOR

- Material: 40Cr
- Sand blasting finishing
- Packing: blister card



1/4"

3/8"

1/2"

STOCK NO.	SIZE	LENGTH	QTY./CARTON
77865	Ø10mm x 1/4" Ø10mm x 3/8" Ø10mm x 1/2"	65mm	100

10PCS HEX KEY SET ON RING

- Packing: blister card



STOCK NO.	SIZE	QTY./CARTON
20051	1.5, 2, 2.5, 3, 4, 5, 5.5, 6, 8, 10mm	80

9PCS LONG ARM HEX KEY SET

- CrV
- Heat treated, chrome plated
- Packing: blister card



STOCK NO.	SIZE	QTY./CARTON
20048	1.5, 2, 2.5, 3, 4, 5, 6, 8, 10mm	36

9PCS EXTRA-LONG ARM HEX KEY SET

- CrV
- Heat treated, chrome plated
- Packing: blister card



STOCK NO.	SIZE	QTY./CARTON
20049	1.5, 2, 2.5, 3, 4, 5, 6, 8, 10mm	36

9PCS BALL POINT LONG ARM HEX KEY SET

- CrV
- Heat treated, chrome plated
- Packing: blister card



STOCK NO.	SIZE	QTY./CARTON
20053	1.5, 2, 2.5, 3, 4, 5, 6, 8, 10mm	36

9PCS BALL POINT EXTRA-LONG ARM HEX KEY SET

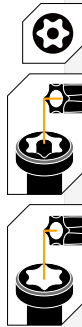
- CrV
- Heat treated , chrome plated
- Packing: blister card



STOCK NO.	SIZE	QTY./CARTON
20054	1.5, 2, 2.5, 3, 4, 5, 6, 8, 10mm	36

9PCS TORX LONG ARM HEX KEY SET

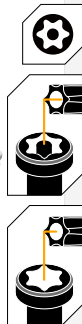
- CrV
- Heat treated, chrome plated
- Packing: blister card



STOCK NO.	SIZE	QTY./CARTON
20056	T10, T15, T20, T25, T27, T30, T40, T45, T50	36

9PCS TORX EXTRA-LONG ARM HEX KEY SET

- CrV
- Heat treated, chrome plated
- Packing: blister card



STOCK NO.	SIZE	QTY./CARTON
20057	T10, T15, T20, T25, T27, T30, T40, T45, T50	36

8PCS FOLDING BALL POINT HEX KEY SET

- CrV
- Heat treated , chrome plated
- Packing: plastic hanger with color label



STOCK NO.	SIZE	QTY./CARTON
20058	1.5, 2, 2.5, 3, 4, 5, 6, 8mm	60

8PCS FOLDING TORX HEX KEY SET

- CrV
- Heat treated , chrome plated
- Packing: plastic hanger with color label



STOCK NO.	SIZE	QTY./CARTON
20059	T9, T10, T15, T20, T25, T27, T30, T40	60

13PCS BALL POINT LONG ARM HEX KEY SET (INCH)

- CrV
- Heat treated
- Black finished
- Packing: blister card



STOCK NO.	SIZE	QTY./CARTON
20090	0.05"-1/16"-5/64"-3/32"-7/64"-1/8"-9/64"-5/32"-3/16"-7/32"-1/4"-5/16"-3/8"	36

36PCS INCH & METRIC HEX KEY SET

- CrV
- Long: 1/16"-5/64"-3/32"-1/8"-9/64"-5/32"-3/16"-1/4"-5/16"
- Short: 0.05"-1/16"-5/64"-3/32"-7/64"-1/8"-5/32"-3/16"-7/32"
- Long: 1.5-2-2.5-3-4-4.5-5-6-8mm
- Short: 1.27-1.5-2-2.5-3-3.5-4-5-5.5mm
- Heat treated
- Black finished
- Packing: blister card



STOCK NO.	QTY./CARTON
20094	20

8PCS TORX T-HANDLE SCREWDRIVERS SET

- CrV
- Bi-colour comfortable grip
- Packing: double blister



STOCK NO.	SIZE	QTY./CARTON
20061	T-10x75mm, T-15x75mm, T-20x100mm, T-25x100mm, T-30x150mm, T-40x150mm, T-45x200mm, T-50x200mm	20

8PCS HEX T-HANDLE SCREWDRIVERS SET

- CrV
- Bi-colour comfortable grip
- Packing: double blister

NEW

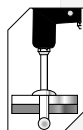


STOCK NO.	SIZE	QTY./ CARTON
20062	H2.0x100mm, H2.5x100mm H3.0x100mm, H4.0x150mm H5.0x150mm, H6.0x200mm H8.0x200mm, H10.0x200mm	20

HAND RIVETER

- Hardened steel body
- Supplied nozzle wrench
- Suitable for aluminium rivets
- Packing: blister card

	2.4mm (3/32")	3.2mm (1/8")	4mm (5/32")	4.8mm (3/16")
Aluminium	•	•	•	•



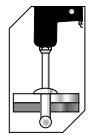
STOCK NO.	SIZE	QTY./CARTON
43001	10"	24

HAND RIVETER

- Powder coated Aluminium alloy body
- Innovative patented structure
- Over 40% labor saving design
- Ergonomic handles with comfortable TPR grips
- Three Jaws, alloy steel, HRC 58-62
- Maximum working stroke: 7mm, adjustable
- Suitable for Aluminium, Steel and **Stainless steel rivets**
- Packing: double blister

	2.4mm (3/32")	3.2mm (1/8")	4mm (5/32")	4.8mm (3/16")
Aluminium	•	•	•	•
Steel	•	•	•	
Stainless steel	•	•	•	

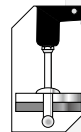
STOCK NO.	SIZE	QTY./CARTON
43099	190mm, 8"	24



HAND RIVETER

- Aluminium body
- Supplied nozzle wrench
- Suitable for aluminium rivets
- Packing: blister card

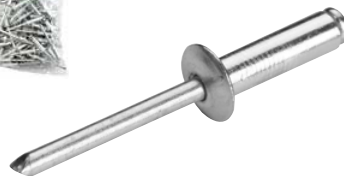
	2.4mm (3/32")	3.2mm (1/8")	4mm (5/32")	4.8mm (3/16")
Aluminium	•	•	•	•



STOCK NO.	SIZE	QTY./CARTON
43003	10.5"	24

OPEN END BLIND RIVET

- Aluminium
- 50pcs packed in a bag with paper hanger



x50

STOCK NO.	SIZE	QTY./CARTON
43005	2.4x6.4mm	300
43006	2.4x8mm	300
43007	3.2x6.4mm	250
43008	3.2x10mm	250
43009	4x10mm	200
43010	4x12.7mm	200
43011	4.8x12.7mm	150
43012	4.8x16mm	150

HEAVY DUTY FOLDING HAND RIVETER

- Powder coated Aluminium alloy body
- Over 20% labor saving design
- Ergonomic handles with comfortable TPR grips
- Three Jaws, alloy steel, HRC 58-62
- Maximum working stroke: 9mm, adjustable
- Suitable for Aluminium, Steel and **Stainless steel rivets**
- Packing: color box

	2.4mm (3/32")	3.2mm (1/8")	4mm (5/32")	4.8mm (3/16")	6.4mm (1/4")
Aluminium	•	•	•	•	•
Steel	•	•	•	•	•
Stainless steel	•	•	•	•	•



STOCK NO.	SIZE	QTY./CARTON
43100	32"	8

HEAVY DUTY 3 WAY STAPLE GUN

- Surface: powder coated
- With 200pcs each of crown, U-shape, brad nails.
- Compatible staples: Rapid 140, Arrow T50, Arrow T18, Rapid 28, Esco 300
- Packing: double blister

INDUSTRIAL



STOCK NO.	SIZE	QTY./CARTON
43021	4-14mm (5/32"-9/16")	24

STAPLE GUN

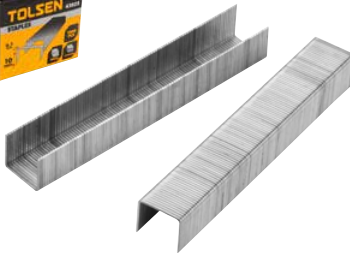
- Surface: powder coated
- Compatible staples: Rapid 530, Arrow JT21
- Packing: blister card



STOCK NO.	SIZE	QTY./CARTON
43022	4-8mm (5/32"-9/16")	40

STAPLES

- 1000pcs packed in a color box



STOCK NO.	SIZE	QTY./CARTON
43023	0.7x6mm	200
43024	0.7x8mm	200
43025	0.7x10mm	200
43028	1.2x8mm	100
43029	1.2x10mm	100
43030	1.2x12mm	100



MACHINIST HAMMER

- Drop-forged special tool steel hammerhead
- Black painted, heat treatment
- Wooden handle
- Packing: color label



STOCK NO.	HEAD WEIGHT	QTY./CARTON
25121	200g	60
25122	300g	48
25123	500g	24
25124	1000g	16
25125	1500g	8
25126	2000g	8

MACHINIST HAMMER

- Drop-forged special tool steel hammerhead
- Black painted, heat treatment
- Fiberglass handle
- Packing: color label



STOCK NO.	HEAD WEIGHT	QTY./CARTON
25001	200g	60
25002	300g	36
25003	500g	24
25006	1000g	16
25007	1500g	8
25008	2000g	8

STONING HAMMER

- Drop-forged special tool steel hammerhead
- Black painted, heat treatment
- Wooden handle
- Packing: color label



STOCK NO.	HEAD WEIGHT	QTY./CARTON
25130	1000g	16
25132	1500g	12
25133	2000g	8

STONING HAMMER

- Drop-forged special tool steel hammerhead
- Black painted, heat treatment
- Fiberglass handle
- Packing: color label



STOCK NO.	HEAD WEIGHT	QTY./CARTON
25010	1000g	16
25012	1500g	12
25013	2000g	8

SLEDGE HAMMER

- Drop-forged special tool steel hammerhead
- Black painted, heat treatment
- Fiberglass handle
- Packing: color label



STOCK NO.	HEAD WEIGHT	QTY./CARTON
25043	0.9kgs / 2LB	16
25044	1.8kgs / 4LB	8

STONING HAMMER

- Drop-forged special tool steel hammerhead
- Black painted, heat treatment
- Wooden handle
- Packing: color label



STOCK NO.	HEAD WEIGHT	HANDLE LENGTH	QTY./ CARTON
25136	5kgs	900mm	4

SLEDGE HAMMER

- Drop-forged special tool steel hammerhead
- Black painted, heat treatment
- Packing: color label



STOCK NO.	HEAD WEIGHT	HANDLE LENGTH	QTY./ CARTON
25151	4.5kgs / 10LB	900mm	4

STONING HAMMER

- Drop-forged special tool steel hammerhead
- black painted, heat treatment
- Fiberglass handle
- Packing: color label



STOCK NO.	HEAD WEIGHT	HANDLE LENGTH	QTY./ CARTON
25016	5kgs	900mm	4

SLEDGE HAMMER

- Drop-forged special tool steel hammerhead
- Black painted, heat treatment
- Fiberglass handle
- Packing: color label



STOCK NO.	HEAD WEIGHT	HANDLE LENGTH	QTY./ CARTON
25045	2.7kgs / 6LB	800mm	6
25046	3.6KGS / 8LB	800mm	4
25047	4.5kgs / 10LB	900mm	4

BALL PEIN HAMMER

- Drop-forged special tool steel hammerhead
- Heat treatment, ground polished
- Wooden handle
- Packing: color label



STOCK NO.	HEAD WEIGHT	QTY./CARTON
25142	16OZ	24
25145	32OZ	16

CLAW HAMMER

- Drop-forged special tool steel hammerhead
- Heat treatment, ground polished
- Wooden handle
- Packing: color label



STOCK NO.	HEAD WEIGHT	FACE DIA.	QTY./ CARTON
25148	225g / 8OZ	23mm	36
25150	450g / 16OZ	29mm	24
25032	560g / 20OZ	31mm	24

CLAW HAMMER, BRITISH TYPE

- Drop-forged special tool steel hammerhead,
- Heat treatment, ground polished
- Wooden handle
- Packing: color label



STOCK NO.	FACE DIA.	QTY./CARTON
25164	25mm	36
25165	27mm	24

BALL PEIN HAMMER

- Drop-forged special tool steel hammerhead
- Heat treatment, ground polished
- Fiberglass handle
- Packing: color label



STOCK NO.	HEAD WEIGHT	QTY./CARTON
25022	16OZ	24
25025	32OZ	16

CLAW HAMMER

- Drop-forged special tool steel hammerhead
- Heat treatment, ground polished
- Fiberglass handle
- Packing: color label



STOCK NO.	HEAD WEIGHT	FACE DIA.	QTY./ CARTON
25028	225g / 8OZ	23mm	36
25030	450g / 16OZ	29mm	24
25031	560g / 20OZ	31mm	24

ONE PIECE FORGED CLAW HAMMER

- Solid forged one piece, hardened and tempered
- Fully polished and lacquered
- Solid forged shaft with stock-absorbing fiberglass grip to reduce vibrations when striking
- Packing: hang tag with color box

PREMIUM



STOCK NO.	HEAD WEIGHT	QTY./CARTON
25171	16OZ	16

CLAW HAMMER, BRITISH TYPE

- Drop-forged special tool steel hammerhead
- Heat treatment, ground polished
- Fiberglass handle
- Packing: color label

GRIPPro series



STOCK NO.	FACE DIA.	QTY./CARTON
25158	25mm	36
25160	27mm	24

DEAD BLOW Mallet

- Non-marring PVC plastic faces
- Non-rebounding
- Non-spark
- Packing: color label



STOCK NO.	HEAD WEIGHT	QTY./CARTON
25040	900g/2LB	16

RUBBER Mallet

- Rubber hammerhead
- Fiberglass handle
- Packing: color label

GRIPPro series



STOCK NO.	HEAD WEIGHT	QTY./CARTON
25033	225g / 8OZ	36
25035	450g / 16OZ	24
25037	675g / 24OZ	24
25038	900g / 32OZ	12

ROOFING HAMMER

- Drop-forged roofing hammer
- Heat treatment
- Packing: color label

INDUSTRIAL



STOCK NO.	HEAD WEIGHT	QTY./CARTON
25167	600g	16

RUBBER Mallet

- Natural rubber hammerhead
- Fiberglass handle
- Packing: color label

GRIPPro
series



STOCK NO.	HEAD WEIGHT	QTY./CARTON
25173	225g / 8OZ	36
25175	450g / 16OZ	24
25177	675g / 24OZ	16

TWO WAY Mallet

- PVC head
- Fiberglass handle
- Packing: color label

GRIPPro
series



STOCK NO.	FACE DIA.	QTY./CARTON
25042	35mm	36

HATCHET

- Drop-forged special tool steel
- Head ground and polished
- Wooden handle
- Packing: color label



STOCK NO.	HEAD WEIGHT	QTY./CARTON
25253	600g	24
25254	800g	24
25255	1000g	12
25256	1250g	12

HATCHET

- Drop-forged special tool steel
- Black painted, heat treatment
- Fiberglass handle
- Packing: color label



STOCK NO.	HEAD WEIGHT	QTY./CARTON
25053	600g	24

ADZ

- Special tool steel
- With fine wooden handle
- Packing: color label



STOCK NO.	HEAD WEIGHT	WIDTH OF EDGE	QTY./CARTON
58050	600g	80mm	24

AXE

- special tool steel
- Packing: plastic bag



STOCK NO.	WEIGHT	LENGTH OF EDGE	QTY./CARTON
58070	1.2kgs	155mm	12
58071	1.5kgs	165mm	12
58072	1.8kgs	175mm	12

WOOD CHISEL

- CrV
- Two-component plastic handle
- Packing: double blister



GRIPPro
series



STOCK NO.	SIZE	QTY./CARTON
25056	6mm (1/4")	60
25060	10mm (3/8")	60
25062	13mm (1/2")	60
25065	16mm (5/8")	60
25067	19mm (3/4")	60
25069	22mm (7/8")	60
25071	25mm (1")	60
25073	32mm (1-1/4")	40
25075	38mm (1-1/2")	40
25079	51mm (2")	40

4PCS WOOD CHISEL SET

- CrV
- Two-component plastic handle
- Packing: double blister



GRIPPro
series



STOCK NO.	SIZE	QTY./CARTON
25384	6mm(1/4")-13mm(1/2")-19mm(3/4")-25mm(1")	12

3PCS WOOD CHISEL

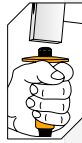
- CrV
- PP plastic handle
- Packing: double blister



STOCK NO.	SIZE	QTY./CARTON
25380	13mm(1/2")-19mm(3/4")-25mm(1")	24

COLD CHISEL

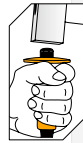
- Special tool steel
- Powder coated
- Packing: color sticker



STOCK NO.	SIZE	QTY./CARTON
25082	4x16x250mm	36
25085	4x18x300mm	24

COLD CHISEL

- Special tool steel
- Powder coated
- Packing: color sticker



STOCK NO.	SIZE	QTY./CARTON
25086	22x16x250mm	36
25089	24x18x300mm	24

6PCS PUNCH SET

- CrV
- HRC56-62
- Powder coated
- Packing: plastic box with color label



STOCK NO.	SIZE	QTY./CARTON
25090	1.5x6x150, 3x8x150, 4x8x150, 5x8x150, 6x10x150, 8x10x150mm	20

5PCS PUNCH SET

- CrV
- HRC56-62
- Powder coated
- Packing: plastic box with color label



STOCK NO.	SIZE	QTY./CARTON
25091	1pc cold chisel: 13x10x150mm 1pc cape chisel: 5x10x150mm 1pc pin chisel: 8x10x150mm 1pc taper chisel: 2x10x150mm 1pc centre chisel: 3x10x150mm	20

9PCS LEATHER PUNCHER

- Special tool steel, hardened
- Packing: blister card



STOCK NO.	SIZE	QTY./CARTON
25093	2.5, 3, 4, 5, 6, 7, 8, 9, 10mm	40

9PCS FIGURE PUNCH

- Special tool steel, hardened
- Surface sandblasting
- Packing: color box



STOCK NO.	SIZE	QTY./CARTON
25094	3mm	96
25097	6mm	48

27PCS LETTER PUNCH

- Special tool steel, hardened
- Surface sandblasting
- Packing: color box



STOCK NO.	SIZE	QTY./CARTON
25101	3mm	36
25104	6mm	18

CROWBAR

- Forged special tool steel with heat treatment
- HRC52-56
- Paint coating
- Packing: color label



STOCK NO.	SIZE	QTY./CARTON
25109	600x16mm	12
25111	750x18mm	12

FLAT PRY BAR

- Special tool steel
- Powder coat finish
- Rugged beveled edges
- Nail slots at both ends
- Packing: color label



STOCK NO.	SIZE	QTY./CARTON
25115	375x35x6mm, 15"x1-3/8"x1/4"	20

INDUSTRIAL

INDUSTRIAL



CUTTING TOOLS

SNAP-OFF BLADE KNIFE

- ABS case
- With flat push button
- Packing: OPP bag



STOCK NO.	BLADE SIZE	QTY./CARTON
30000	18x100mm	240

SNAP-OFF BLADE KNIFE

- ABS case
- With flat push button
- Packing: label+display box



STOCK NO.	BLADE SIZE	QTY./CARTON
30001	18x100mm	96

SNAP-OFF BLADE KNIFE

- Aluminium case
- With flat push button
- Packing: blister card



SK5

STOCK NO.	BLADE SIZE	QTY./CARTON
30002	18x100mm	144

SNAP-OFF BLADE KNIFE

- ABS case+ TPR
- With 3pcs blades
- With flat push button
- Packing: blister card



STOCK NO.	BLADE SIZE	QTY./CARTON
30003	18x100mm	96

SNAP-OFF BLADE KNIFE

- ABS case + TPR
- Self-lock
- With 3pcs SK4 blades
- Packing: blister card



SK4



STOCK NO.	BLADE SIZE	QTY./CARTON
30015	18x100mm	96

SNAP-OFF BLADE KNIFE

- ABS case+ TPR
- With 3pcs SK5 blades
- With flat push button
- Safe loading
- Packing: blister card



SK5



STOCK NO.	BLADE SIZE	QTY./CARTON
30016	25x140mm	48

SNAP-OFF BLADE KNIFE

- ABS case + TPR
- With 1pc blade
- With round knob
- Manual-locking blade system
- Packing: blister card



STOCK NO.	BLADE SIZE	QTY./CARTON
30018	18x100mm	144

SNAP-OFF BLADE KNIFE

- ABS case
- With flat push button
- Packing: OPP bag



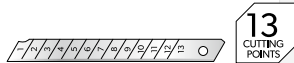
STOCK NO.	BLADE SIZE	QTY./CARTON
30004	9x80mm	800

INDUSTRIAL

INDUSTRIAL

SNAP-OFF BLADE KNIFE

- Stainless case
- With flat push button
- Packing: display box



13 CUTTING POINTS

STOCK NO.	BLADE SIZE	QTY./CARTON
30005	9x80mm	960

SCRAPER

- ABS case
- With 3pcs blades
- Packing: skin card



x3



STOCK NO.	BLADE SIZE	QTY./CARTON
30006	100x18.5x0.4mm	120

UTILITY KNIFE

- Aluminium handle
- With 5pcs SK5 blades
- Packing: double blister



ONE-HANDED OPENING



SK5



x5

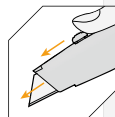
STOCK NO.	BLADE SIZE	QTY./CARTON
30007	61x19mm	72

UTILITY KNIFE

- Aluminium alloy body
- Material of blade:SK5
- Packing: double blister



SK5



STOCK NO.	BLADE SIZE	QTY./CARTON
30008	61x19mm	96

UTILITY KNIFE FIXED BLADE

- Lightweight aluminium construction body
- Standard blades store securely in handle
- Material of blade: SK5
- Packing : PP card



SK5

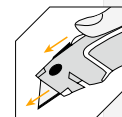
STOCK NO.	BLADE SIZE	QTY./CARTON
30108	61x19mm	144

UTILITY KNIFE

- Zinc alloy body
- With 5pcs SK5 blade
- Packing: double blister



INDUSTRIAL



SK5



x5

STOCK NO.	BLADE SIZE	QTY./CARTON
30009	61x19mm	48

10PCS BLADE SET

- 10pcs blade
- Material: SK5
- Packing: plastic box with color sticker



SK5

STOCK NO.	BLADE SIZE	QTY./CARTON
30010	61x19mm	400

5PCS BLADE SET

- 5pcs blade
- Material: SK5
- Packing: skin card



SK5

STOCK NO.	BLADE SIZE	QTY./CARTON
30013	50x19mm	240

10PCS BLADE SET

- 10pcs blade
- Material: SK5
- Packing: blister card



SK5

STOCK NO.	BLADE SIZE	QTY./CARTON
30017	25x140mm	80

10PCS BLADE SET

- 10pcs blade
- Material: high quality tool steel
- Packing: plastic box with color sticker



STOCK NO.	BLADE SIZE	QTY./CARTON
30011	18x100mm	240

10PCS BLADE SET

- 10pcs blade
- Material: high quality tool steel
- Packing: plastic box with color sticker



STOCK NO.	BLADE SIZE	QTY./CARTON
30012	9x80mm	480

AVIATION SNIPS (LEFT)

- CrMo
- Two-component plastic handle
- Packing: blister card



LEFT CUT



STOCK NO.	SIZE	QTY./CARTON
30021	250mm,10"	30

AVIATION SNIPS (STRAIGHT)

- CrMo
- Two-component plastic handle
- Packing: blister card



STRAIGHT CUT



STOCK NO.	SIZE	QTY./CARTON
30022	250mm,10"	30

AVIATION SNIPS (RIGHT)

- CrMo
- Two-component plastic handle
- Packing: blister card



RIGHT CUT



STOCK NO.	SIZE	QTY./CARTON
30023	250mm,10"	30

TINMAN'S SNIPS

- Drop forged high quality tool steel
- Dipped handle
- Packing: blister card



STOCK NO.	SIZE	QTY./CARTON
30030	250mm,10"	30

TIN SNIPS

- Drop forged special tool steel
- Dipped handle
- Packing: PVC bag with color sleeve



STOCK NO.	SIZE	QTY./CARTON
30036	10"	24
30037	12"	20

MULTI-PURPOSE SCISSORS

- Stainless steel blade
- Packing: blister card



STOCK NO.	SIZE	QTY./CARTON
30042	180mm,7"	72

HOUSEHOLD SCISSORS

- Stainless steel blade
- Packing: blister card



COMFORT GRIPS



STOCK NO.	SIZE	QTY./CARTON
30044	200mm,8"	144

KITCHEN SCISSORS

- Stainless steel blade
- Packing: blister card



NUT CRACKER

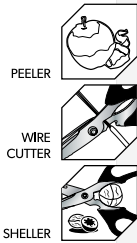


STOCK NO.	SIZE	QTY./CARTON
30045	200mm,8"	144

MULTI-PURPOSE SCISSORS

- Multi-purpose: scissors, small knife, nut cracker, cable cutter, wire cutter, fish scale remover, bottle opener, jar opener, peeler, slot screwdriver
- Stainless steel blade
- Ergonomic large non-slip handle
- Packing: double blister

INDUSTRIAL



STOCK NO.	SIZE	QTY./CARTON
30049	220mm, 8-3/4"	72

MULTIPURPOSE PLIERS

- 2Cr13 steel
- With fine polished surface
- Packing: double blister + display box



14 IN 1
MULTITOLS



STOCK NO.	SIZE	QTY./CARTON
30046	102x46x23mm	24

MINI HACKSAW FRAME

- Including 1pc saw blade
- Packing: color sleeve



STOCK NO.	SIZE	QTY./CARTON
30050	150mm, 6"	120

MINI HACKSAW FRAME

- Plastic coated handle
- Including 1pc saw blade
- Packing: color label



STOCK NO.	SIZE	QTY./CARTON
30051	150mm, 6"	120

HACKSAW FRAME

- Square lacquered steel tube bow frame
- With ABS handle
- Including 1pc saw blade
- Packing: color sticker



STOCK NO.	SIZE	QTY./CARTON
30052	300mm, 12"	60

HACKSAW FRAME

- Round lacquered steel tube bow frame
- With aluminium handle
- Including 1pc saw blade
- Packing: color sticker



STOCK NO.	SIZE	QTY./CARTON
30053	300mm, 12"	36

HACKSAW FRAME

- Square lacquered steel tube bow frame
- With aluminium & TPR handle
- Including 1pc saw blade
- Packing: color sleeve



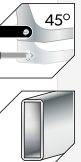
STOCK NO.	SIZE	QTY./CARTON
30054	300mm, 12"	36

HACKSAW FRAME

- Square lacquered steel tube bow frame
- With aluminium handle
- Including 1pc saw blade
- Packing: paper hanger



STOCK NO.	SIZE	QTY./CARTON
30055	300mm, 12"	36



ADJUSTABLE HACKSAW FRAME

- With steel handle
- Including 1pcs saw blade
- Packing: color sleeve

NEW



STOCK NO.	SIZE	QTY./CARTON
30056	8"-10"-12"	36

MINI HACKSAW BLADE

- Material : SK4
- Black finished surface
- 24 TPI
- 10pcs packed in PP color bag



STOCK NO.	SIZE	QTY./CARTON
30060	150mm,6"	200

HACKSAW BLADE

- Special tool steel
- 24TPI
- 10pcs packed in color label with shrink



STOCK NO.	SIZE	QTY./CARTON
30061	300mm,12"	100

BI-METAL HACKSAW BLADE

- Material: M2+D6A
- 24TPI
- 2pcs packed in paper hanger



STOCK NO.	SIZE	QTY./CARTON
30064	12"x1/2"	120

BI-METAL HACKSAW BLADE

- Material: M2+D6A
- 24TPI
- 100pcs packed in plastic box



STOCK NO.	SIZE	QTY./CARTON
30065	300mm, 12" x 12mm, 1/2"	10sets

HAND SAW

- 7TPI
- 65Mn blade, heat treated
- With teeth protector
- Packing: color sleeve



STOCK NO.	SIZE	QTY./CARTON
31070	400mm,16"	40
31071	450mm,18"	40
31072	500mm,20"	40
31073	550mm,22"	40



GARDEN TOOLS

BOW SAW

- Handle hack saw frame
- Including 1pc saw blade (B-type)
- Packing: color label



STOCK NO.	SIZE	QTY./CARTON
31082	610mm,24"	12

GARDEN SAW BLADE (FOR DRY)

- A-type double side grinding teeth
- High frequency hardened
- 65Mn blade
- Packing: color label



STOCK NO.	SIZE	QTY./CARTON
31100	610mm,24"	200

GARDEN SAW BLADE (FOR WET)

- B-type double side grinding teeth
- High frequency hardened
- 65Mn blade
- Packing: color label



STOCK NO.	SIZE	QTY./CARTON
30106	610mm, 24"	200

UNIVERSAL GROUND SAW

- 7TPI 65Mn blade
- Two-component plastic handle
- Packing: blister card



STOCK NO.	BLADE LENGTH	QTY./CARTON
31013	150mm, 6"	48

FOLDABLE SAW

- 7TPI 65Mn blade
- Two-component plastic handle
- Packing: blister card



STOCK NO.	BLADE LENGTH	THICKNESS	QTY./CARTON
31014	180mm, 7"	1.2mm	24



PRUNING SAW

- 7TPI 65Mn blade
- Two-component plastic handle
- Packing: color label



STOCK NO.	BLADE LENGTH	THICKNESS	QTY./CARTON
31016	350mm, 14"	1.2mm	40

MITRE BOX WITH BACK SAW SET

- 1pc saw : 300mm / 12", 13TPI, 65Mn blade
Thickness: 0.9mm
- 1pc mitre box: 300x140x70mm, ABS material
- Packing: color sleeve



STOCK NO.	QTY./CARTON
31017	12

BYPASS PATTERN PRUNING SHEAR

- Fine polished
- Dipped handle
- Packing: blister card



STOCK NO.	SIZE	QTY./CARTON
31018	200mm, 8"	60

STRAIGHT PRUNING SHEAR

- Fine polished
- Dipped handle
- Packing: blister card



STOCK NO.	SIZE	QTY./CARTON
31019	200mm, 8"	60

STRAIGHT PURNING SHEAR

- Stainless steel blade, fine polished
- Zinc alloy handle, with PVC grips
- Packing: blister card



STAINLESS STEEL

STOCK NO.	SIZE	QTY./CARTON
31031	200mm, 8"	60

BYPASS PATTERN PURNING SHEAR

- Stainless steel blade, fine polished
- Zinc alloy handle, with PVC grips
- Packing: blister card



STAINLESS STEEL

STOCK NO.	SIZE	QTY./CARTON
31032	200mm, 8"	60

INDUSTRIAL

INDUSTRIAL

BYPASS PATTERN PRUNING SHEAR

- 65Mn blade
- Plastic handle
- Packing: blister card



STOCK NO.	SIZE	QTY./CARTON
31020	200mm,8"	60

BYPASS PATTERN PRUNING SHEAR

- 65Mn blade
- Plastic handle
- Packing: blister card



STOCK NO.	SIZE	QTY./CARTON
31021	200mm,8"	60

BYPASS PATTERN PRUNING SHEAR

- SK5 blade
- Dipped handle
- Packing: blister card

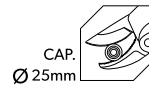


SK5

STOCK NO.	SIZE	QTY./CARTON
31022	200mm,8"	60

ALUMINIUM BODY GEAR PRUNING SHEAR

- 65Mn blade
- Teflon coated
- Packing: silding card



STOCK NO.	SIZE	QTY./CARTON
31023	200mm,8"	60

HEDGE SHEAR

- Telescopic steel tube handle
- PVC grip
- Packing: PVC bag



STOCK NO.	SIZE	QTY./CARTON
31024	26"-36"	12

LOPPING SHEAR

- Telescopic steel tube handle
- PVC grip
- Packing: PVC bag



STOCK NO.	SIZE	QTY./CARTON
31025	24"-36"	12



FINISHING TOOLS

STEEL FILES

- Flat
- T12 special tool steel
- Two-component plastic handle
- Packing: blister card



STOCK NO.	SIZE	QTY./CARTON
32001	200mm,8"	100

STEEL FILES

- Half round
- T12 special tool steel
- Two-component plastic handle
- Packing: blister card



STOCK NO.	SIZE	QTY./CARTON
32005	200mm,8"	100

STEEL FILES

- Round
- T12 special tool steel
- Two-component plastic handle
- Packing: blister card



STOCK NO.	SIZE	QTY./CARTON
32009	200mm,8"	100

STEEL FILES

- Triangular
- T12 special tool steel
- Two-component plastic handle
- Packing: blister card



STOCK NO.	SIZE	QTY./CARTON
32013	200mm,8"	100

STEEL FILES

- Square
- T12 special tool steel
- Two-component plastic handle
- Packing: blister card



STOCK NO.	SIZE	QTY./CARTON
32017	200mm,8"	100

WOOD FILES

- Flat
- Special tool steel
- Two-component plastic handle
- Packing: blister card



STOCK NO.	SIZE	QTY./CARTON
32021	200mm,8"	100

WOOD FILES

- Half round
- Special tool steel
- Two-component plastic handle
- Packing: blister card



STOCK NO.	SIZE	QTY./CARTON
32025	200mm,8"	100

WOOD FILES

- Round
- Special tool steel
- Two-component plastic handle
- Packing: blister card



STOCK NO.	SIZE	QTY./CARTON
32029	200mm,8"	100

3PCS STEEL FILES SET

- Flat, Half round, Round
- T12 special tool steel
- Two-component plastic handle
- Packing: blister card



STOCK NO.	SIZE	QTY./CARTON
32033	200mm,8"	40

3PCS WOOD FILES SET

- Flat, Half round, Round
- Special tool steel
- Two-component plastic handle
- Packing: blister card



STOCK NO.	SIZE	QTY./CARTON
32037	200mm,8"	40

5PCS FILES SET

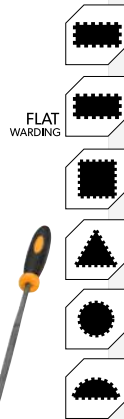
- Steel files, T12 special tool steel
- Flat; Half round; Round; Triangular
- Wood file, special tool steel, Half round
- Two-component plastic handle
- Packing: double blister



STOCK NO.	SIZE	QTY./CARTON
32038	200mm,8"	16

6PCS NEEDLE FILES SET

- Flat, Flat Warding, Square, Triangular,
- Round, Half round
- Alloy steel
- Two-component plastic handle
- Packing: blister card



STOCK NO.	SIZE	QTY./CARTON
32046	3x100mm	100

COMBINATION SHARPENING STONES

- Grey aluminium oxide
- One side:120 grit
- One side:240 grit
- Packing: white box with color sticker



STOCK NO.	SIZE	QTY./CARTON
32047	150x50x25mm	50

SHARPENING STONES, OVAL SHAPE

- Silicon carbide oxide
- 120 grit
- Packing: white box with color sticker



STOCK NO.	SIZE	QTY./CARTON
32048	230x33x13mm	100

UNIVERSAL BRUSH

- Steel wire
- Plastic handle
- Packing: hang tag
- 24pcs in a display box



STOCK NO.	SIZE	QTY./CARTON
32060	250mm,10"	96

3PCS WIRE BRUSHES SET

- 1pc 180mm nylon brush
- 1pc 180mm steel brush
- 1pc 180mm stainless brush
- Plastic handle
- Packing: blister card



STOCK NO.	SIZE	QTY./CARTON
32059	3lines	120

WIRE BRUSH

- Straight and black wire
- Wooden handle
- Packing: hang tag



STOCK NO.	SIZE	QTY./CARTON
32061	3lines	120
32062	4lines	120
32063	5lines	120

PLASTIC SANDING BLOCK

- ABS case
- EVA bottom plate
- Packing: plastic bag with paper hanger



STOCK NO.	SIZE	QTY./CARTON
32100	165x85mm	60
32101	210x105mm	60



PVC PIPE CUTTER

- Aluminium alloy body
- 65Mn blade
- Packing: blister card



STOCK NO.	SIZE	CUTTING DIA.	QTY./CARTON
33000	200mm,8"	3-42mm	48

PVC PIPE CUTTER

- Aluminium alloy body
- 65Mn blade
- Packing: blister card



STOCK NO.	SIZE	CUTTING DIA.	QTY./CARTON
33002	210mm,8"	3-35mm	72

PIPE CUTTER

- Aluminium alloy body
- Packing: blister card



STOCK NO.	CUTTING DIA.	QTY./CARTON
33003	3-22mm	80

PIPE CUTTER

- Aluminium alloy body
- Packing: blister card



STOCK NO.	CUTTING DIA.	QTY./CARTON
33004	3-28mm	50

PIPE CUTTER

- Zinc alloy body
- Packing: blister card



STOCK NO.	CUTTING DIA.	QTY./CARTON
33005	3-32mm	50

PIPE CUTTER

- Aluminium alloy body
- Packing: blister card



STOCK NO.	CUTTING DIA.	QTY./CARTON
33006	6-64mm	24

9PCS PIPE THREADING SET

- BSPT
- Black finish
- 1 ratcheting pipe threading system with 2 extension bars
- Packing: color box



STOCK NO.	SIZE	QTY./CARTON
33011	1/4", 3/8", 1/2", 3/4", 1", 1-1/4"	2

PTFE TAPE

- 100% PTFE



STOCK NO.	SIZE	QTY./CARTON
33013	12mm x 0.075 mm x 10m x 0.35g / cm ³	600

5PCS SCREW EXTRACTOR SET

- High quality alloy steel
- Black finished
- Packing: blister card



STOCK NO.	SIZE	QTY./CARTON
33505	1#, 2#, 3#, 4#, 5#	40

PIPE WELDING MACHINE SET

- CE approval
- Input power: 700W / 1500W
- Voltage: 230V
- Frequency: 50Hz
- Heating sockets: 20, 25, 32, 40, 50, 63mm;
- Thermoregulator: 0 °C - 300 °C
- Applying to: PP-R, PB, PE, PE-RT
- Aluminium die casting base
- Plug & cable: CE approved 1.8m
- Accessories contain:
 - 1 pc measuring tape 3meter
 - 1pc PVC pipe cutter 3-42mm
 - 1pc screwdriver PH1x100mm
- Packing: steel box with color paper and shrink

NEW



STOCK NO.	SIZE	QTY./CARTON
33021	700W / 1500W	3



PIPE WELDING MACHINE SET

- CE approval
- Input power: 800w
- Voltage: 230V
- Frequency: 50Hz
- Heating sockets: 20, 25, 32, 40, 50, 63mm;
- Thermoregulator: 0 °C - 300 °C
- Applying to: PP-R, PB, PE, PE-RT
- Plug & cable: CE approved 1.8m
- Packing: steel box with color paper and shrink

NEW



STOCK NO.	SIZE	QTY./CARTON
33022	800W	6





MEASURING TOOLS

MEASURING TAPE

- With soft PVC cover
- With metric and inch blade
- Packing: color sticker with PP card



METRIC
INCH

STOCK NO.	SIZE	QTY./CARTON
35002	3M/10ft x 16mm	120
35003	5M/16ft x 19mm	72
35005	8M/26ft x 25mm	36

MEASURING TAPE

- With metric blade
- Accuracy: MID class II
- Packing: color label with display box



MIDI
METRIC

STOCK NO.	SIZE	QTY./CARTON
35009	3M x 16mm	120
35010	5M x 19mm	72
35012	7.5M x 25mm	36

MEASURING TAPE

- ABS case covered with TPR
- Comfortable holding feel and impact resistant
- Both sides coat nylon of the blade
- Manual powerful stop button
- With metric and inch blade
- Accuracy: MID class II
- With magnetic hook
- Packing: color sticker with PP card



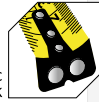
COMFORTABLE HOLDING FEEL AND IMPACT RESISTANT



NYLON COATED BLADE



MAGNETIC HOOK



MIDI

METRIC

INCH



STOCK NO.	SIZE	QTY./CARTON
36002	3M/10ft x 16mm	72
36004	5M/16ft x 25mm	48
36005	8M/26ft x 25mm	36
36006	10M/33ft x 25mm	36

MEASURING TAPE

- Accuracy: MID class II
- With metric blade
- Self lock function
- ABS case covered with TPR
- Comfortable holding feel and impact resistant
- Lock automatically, convenient to use.
- Packing: color label with display box



MIDI

SELF LOCK

SUPER COATED

IMPACT RESISTANT

METRIC

STOCK NO.	SIZE	QTY./CARTON
36012	3M x 16mm	96
36013	5M x 19mm	60
36014	5M x 25mm	48
36015	8M x 25mm	36
36016	10M x 25mm	36

FIBREGLASS MEASURING TAPE

- ABS case covered with TPR
- Comfortable holding feel and impact resistant
- Fibreglass tape with PVC coated blade
- With metric blade
- Four times of quick rewinding
- Packing: color box



METRIC

DOUBLE SIDED PRINTING



STOCK NO.	SIZE	QTY./CARTON
35017	20M x 15mm	40
35018	30M x 15mm	24
35019	50M x 15mm	16

FIBREGLASS MEASURING TAPE

- ABS case with a nickel plated winding handle
- With metric and inch blade
- Packing: color box



METRIC

INCH

DOUBLE SIDED PRINTING



STOCK NO.	SIZE	QTY./CARTON
35020	20M/66ft x 12.5mm	60
35022	30M/100ft x 12.5mm	40
35023	50M/165ft x 12.5mm	30

STAINLESS STEEL RULER

- Stainless steel(2Cr13)
- Packing: PVC bag with color label



METRIC

INCH

STOCK NO.	SIZE	WIDTH	THICKNESS	QTY./ CARTON
35024	150mm,6"	19mm	0.8mm	500
35026	300mm,12"	25mm	1.0mm	250
35028	600mm,24"	30mm	1.2mm	120
35030	1000mm,40"	32mm	1.5mm	60

SLIDING BEVEL RULER

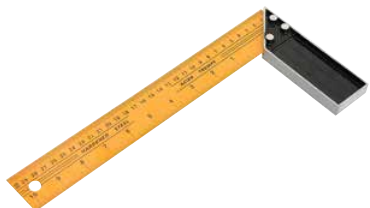
- Stainless steel(2Cr13)
- Packing: color labe



STOCK NO.	SIZE	QTY./CARTON
35034	250mm,10"	100

ANGLE SQUARE

- Aluminium handle
- Powder coated finish
- Packing: hang tap with PE bag



METRIC

INCH

STOCK NO.	SIZE	QTY./CARTON
35080	250mm,10"	120
35081	300mm,12"	120

ALUMINIUM ALLOY ANGLE SQUARE

- Stainless alloy body (2Cr13)
- Aluminium base
- Packing: paper hanger



INDUSTRIAL

METRIC

INCH

STOCK NO.	SIZE	WIDTH	THICKNESS	QTY./ CARTON
35038	250mm,10"	36mm	1.0mm	60
35039	300mm,12"	36mm	1.0mm	60

ANGLE SQUARE

- Powder coated finish
- Packing: color label



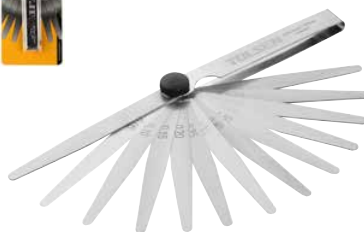
METRIC

INCH

STOCK NO.	SIZE	THICKNESS	QTY./ CARTON
35042	200x300mm 8"x12"	1.8mm	60
35043	400x600mm 16"x24"	1.8mm	24

FEELER GAUGES

- 100mm, 13blatt
- Chrome plated case
- Polishing finished
- Packing: color box



STOCK NO.	SIZE	QTY./CARTON
35044	0.05-1.00mm	100

WOOD FOLDING RULER

- Accuracy: MID class III
- High quality fine polished wood body with spring
- Packing: paper hanger



MIDIII

METRIC

STOCK NO.	SIZE	QTY./CARTON
35046	2m	100

FOLDING RULER

- ABS body with spring
- Packing: paper hanger



METRIC

INCH

STOCK NO.	SIZE	QTY./CARTON
35047	2m / 80"	120

VERNIER CALIPER

- Accuracy: 0.05mm
- Special tool steel, chrome plated
- Four-way measurement
- Packing: plastic case with color sleeve



METRIC

STOCK NO.	SIZE	QTY./CARTON
35048	150mm	40

VERNIER CALIPER

- Accuracy: 0.02mm
- Stainless steel
- Four-way measurement
- Packing: plastic case with color sleeve



METRIC

STOCK NO.	SIZE	QTY./CARTON
35050	150mm	40
35051	200mm	40

CARBON FIBER COMPOSITES DIGITAL CALIPER

- Accuracy: 0.1mm
- Carbon fiber composites
- Three-way measurement
- Packing: blister card



METRIC

INCH

STOCK NO.	SIZE	QTY./CARTON
35052	150mm, 6"	100

DIGITAL CALIPER

- Accuracy: 0.01mm
- Stainless steel
- Four-way measurement
- Packing: plastic case with color sleeve



METRIC

INCH

STOCK NO.	SIZE	QTY./CARTON
35053	150mm, 6"	40

MICROMETER

- Accuracy: 0.01mm
- Carbide measuring face
- Chrome-plated frame
- Ratchet stop
- Packing: plastic case with color sleeve



METRIC

STOCK NO.	SIZE	QTY./CARTON
35055	0-25mm	50

MINI SPIRIT LEVEL

- Aluminium
- With 3 bubbles
- Packing: color sleeve

INDUSTRIAL



METRIC

45°

90°

180°

STOCK NO.	SIZE	QTY./CARTON
35059	22.5cm	60

BRIDGE SPIRIT LEVEL

- Aluminium frame
- With 2 bubbles, horizontal & vertical resp
- Packing: color sleeve

INDUSTRIAL



90°

180°

STOCK NO.	SIZE	QTY./CARTON
35060	40cm	20
35062	50cm	20
35061	60cm	20

SPIRIT LEVEL

- Aluminium frame
- With 3 bubbles
- Packing: shrink



45°

90°

180°

STOCK NO.	SIZE	QTY./CARTON
35064	40cm, 16"	50
35066	60cm, 24"	50
35067	80cm, 32"	30
35068	100cm, 40"	30
35069	120cm, 48"	20
35070	150cm, 60"	20
35091	200cm, 80"	20

SPIRIT LEVEL WITH MAGNETIC

- With magnetic
- Aluminium frame
- With 3 bubbles
- With metric scale
- Packing: shrink



METRIC

45°

90°

180°

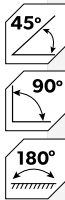
METRIC

STOCK NO.	SIZE	QTY./CARTON
35100	30cm, 12"	50
35102	45cm, 18"	50
35104	60cm, 24"	50
35105	80cm, 32"	30
35107	100cm, 40"	30

SPIRIT LEVEL

- Heavy duty aluminium frame
- Thickness: 1.8mm
- Accuracy: 0.5mm /m
- Three vial: 90°, 180°, 45°
- Four milled surface
- Humanized rubber handle
- Anti-shock end caps
- Suitable for pipes
- Packing: shrink

INDUSTRIAL

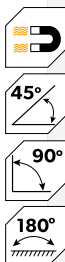


STOCK NO.	SIZE	QTY./CARTON
35076	60cm,24"	20
35077	80cm,32"	20
35078	100cm,40"	20
35079	120cm,48"	20

SPIRIT LEVEL WITH MAGNETIC

- With magnetic
- Spirit level (industrial quality)
- Heavy duty aluminium frame
- Thickness: 1.5mm
- Accuracy: 0.5mm /m
- Three vial: 90°, 180°, 45°
- Two milled surface
- Humanized rubber handle
- Anti-shock end caps
- Packing: shrink

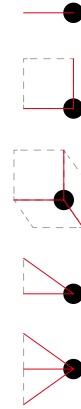
INDUSTRIAL



STOCK NO.	SIZE	QTY./CARTON
35111	40cm,16"	20
35112	60cm,24"	20
35113	80cm,32"	20
35114	100cm,40"	20
35115	120cm,48"	20

LASER DISTANCE METER

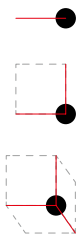
- Accuracy: +/-2.0 mm
- IP40
- Function:
 - Single measurement
 - Continuous measurement
 - Area measurement
 - Volume measurement
 - Pythagorean calculation (Indirect measurement)
 - Angle measurement function
- Packing: color box



STOCK NO.	MEASURING RANGE	QTY./CARTON
35074	0.2~60m	10

LASER DISTANCE METER

- Material: ABS & Rubber
- Size: 100x32.5x22mm
- Functions: Measures distance / area / volume
- Measuring range: 0.2-20m / 0.65-65.5ft
- Measuring accuracy: ±2mm
- Measuring units: m / ft
- Battery type: 2xAAA 1.5V
- Battery life: 5000 measurements
- Backlight
- Extremely easy to use
- Packing: color box

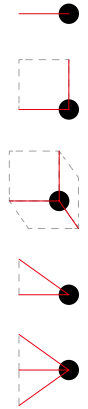


STOCK NO.	MEASURING RANGE	QTY./CARTON
35172	0.2-20m, 0.65-65.5ft	20

LASER DISTANCE METER

- Material: ABS & Rubber
- Size: 115x49x26mm
- Functions: Measures distance / area / volume / Indirect-Pythagoras / add, subtract / change starting point / 20 memories / angle / auto level / auto height
- Measuring range:
- Measuring accuracy: ±2mm
- Measuring units: m / ft / in
- Battery type: 3xAAA 1.2V,
- Ni-Mh rechargeable
- Battery life: 5000 measurements
- IP65 Waterproof
- Robust, Drop-resistance
- Charge battery by USB-C
- Angle sensor
- 2 inch big screen (White-on-black)
- Packing: color box

INDUSTRIAL



STOCK NO.	MEASURING RANGE	QTY./CARTON
35178	0.2-80m, 0.65-262ft	10

SPRING POCKET BALANCE

- Chrome plated handle
- Packing: color box



STOCK NO.	MAX.	QTY./CARTON
35072	22kg / 50LB	120



ELECTRICAL TOOLS

VOLTAGE TESTER

- Test Voltage: AC 100-500V
- CE certificated
- Packing: plastic hanger with color box



STOCK NO.	SIZE	QTY./CARTON
38014	3x140mm	400

VOLTAGE TESTER

- Test Voltage: AC 100-500V
- CE certificated
- Packing: flag label with color box



STOCK NO.	SIZE	QTY./CARTON
38015	4x190mm	300

VDE SCREWDRIVER

- CrV
- 1000V, VDE Certification
- Packing: PP hanger



STOCK NO.	SIZE	QTY./CARTON
38000	3.0x75mm	144
38001	4.0x100mm	144
38002	5.5x125mm	144
38003	6.5x150mm	72

VDE SCREWDRIVER

- CrV
- 1000V, VDE Certification
- Packing: PP hanger



STOCK NO.	SIZE	QTY./CARTON
38006	PH1x80mm	144
38007	PH2x100mm	72

VDE SCREWDRIVER

- CrV
- 1000V, VDE Certification
- Packing: PP hanger



STOCK NO.	SIZE	QTY./CARTON
38010	PZ1x80mm	144
38011	PZ2x100mm	72

6PCS VDE SCREWDRIVER SET

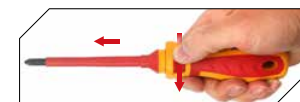
- CrV
- 1000V, VDE Certification
- Packing: color box



STOCK NO.	SIZE	QTY./CARTON
38013	3x75, 4x100, 5.5x100; PH1x80, PH2x100; 3X140mm	20

13PCS VDE INSULATED SCREWDRIVER SET

- VDE/GS certificated
- 4pcs Slotted: 1.2x6.5x100mm, 1x5.5x100mm, 0.8x4x100mmx0.5x3x100mm
- 2pcs Phillips: PH2x100mm, PH1x80mm
- 2pcs Pozidriv: PZ2x100mm, PZ1x80mm
- 3pcs Torx: T20x100mm, T15x100mm, T10x100mm
- 1Pc single-pole voltage tester
- 1Pc screwdriver handle
- Packing: color box



STOCK NO.	SIZE	QTY./CARTON
38016		12

CABLE CUTTER

- Drop forged high quality tool steel
- Dipped handle
- Packing: blister card



STOCK NO.	SIZE	QTY./CARTON
38020	160mm,6"	60
38021	200mm,8"	48

CABLE CUTTER

- Heavy duty
- Drop forged high quality tool steel
- Dipped handle
- Packing: blister card



STOCK NO.	SIZE	QTY./CARTON
38022	250mm,10"	36

ELECTRICIAN'S KNIFE

- With straight head
- Special stainless steel
- Thickness:3mm
- Fine polished wooden handle
- Packing: blister card



STOCK NO.	SIZE	QTY./CARTON
38040	205mm	72

ELECTRICIAN'S KNIFE

- With bend head
- Special stainless steel
- Thickness:3mm
- Fine polished wooden handle
- Packing: blister card



STOCK NO.	SIZE	QTY./CARTON
38041	195mm	72

ELECTRICIAN'S SCISSORS

- Stainless steel blade
- Designed for telecom and electrical applications
- Packing: blister card



SERRATED TEETH
GRIP THE CABLE/WIRE

STOCK NO.	SIZE	QTY./CARTON
30043	140mm,5.5"	120

PVC INSULATING TAPE

- Pure PVC
- CE approved
- Packing: color paper



STOCK NO.	SIZE	THICKNESS	LENGTH	QTY./CARTON
38023	19mm (black)	0.13mm	10yards (9.15m)	400
38024	19mm (white)	0.13mm	10yards (9.15m)	400
38025	19mm (red)	0.13mm	10yards (9.15m)	400

ADJUSTABLE AUTOMATIC WIRE STRIPPER

- 2-IN-1 Wire stripper & cutter
- Applicable wire stripper size: 0.5mm² - 6mm²
- Self-adjustable mechanism according to wire size provide excellent wire stripping
- Adjustable stop for consistency in wire strip lengths, replaceable blade system
- Strip 8mm width flat cable also applicable
- Simple adjustment dial for blade pressure according to the thickness of insulation
- Packing: blister card



STOCK NO.	SIZE	QTY./CARTON
38050	0.5-6mm ²	48

AUTOMATIC WIRE STRIPPER

- Applicable wire diameter: 1.0, 1.6, 2.0, 2.6, 3.2mm (18-8AWG)
- Packing: blister card

NEW



STOCK NO.	SIZE	QTY./CARTON
38049		48

WIRE STRIPPERS

- 7-in-1 stripping function 0.6-2.6mm, 22-10 AWG
- With grip and cutter
- Packing: blister card

INDUSTRIAL



STOCK NO.	SIZE	QTY./CARTON
38051	160mm, 6"	72

WIRE STRIPPING AND CRIMPING PLIERS

- With sharp edge for cutting wire
- With push down wire function
- With wire stripping function
- Can strip Six kinds of Wire size
- Can cut five kinds of copper screw size
- Packing: blister card

INDUSTRIAL



STOCK NO.	SIZE	QTY./CARTON
38052	215mm, 8.5"	72

RATCHET MODULAR CRIMPING PLIERS

- Special tool steel with hardened and tempered frame
- Chemically black finished surface
- PP/TPR Two-component grips
- Compact and durable W/KEY way in 8P modular holder
- Cut and strip wire by one operation, easy and efficient
- With round cable stripper
- For crimping modular plug as follows:
8P8C/RJ45, 8P6C, 8P4C, 8P2C;
6P6C/RJ12, 6P4C/RJ11, 6P2C
- Packing: blister card

INDUSTRIAL



wire cutting



wire stripping



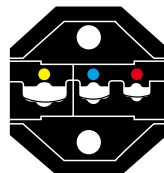
labor-saving ratchet handle

STOCK NO.	SIZE	QTY./CARTON
38054	185mm, 7.3" 8P/6P	50

RATCHET CRIMPING PLIERS

- Special tool steel with hardened and tempered jaws
- Continuous crimping at preset tension ensures accurate crimp
- Chemically black finished surface
- PVC grips
- Suitable for crimping insulated terminals as follows:
DIN 0.5-1.0 / 1.5-2.5 / 4-6 mm²
AWG 22-18 / 16-14 / 12-10
- Packing: blister card

INDUSTRIAL

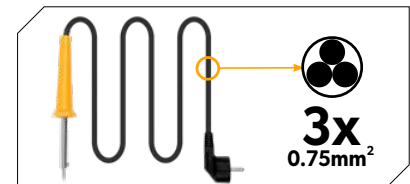


STOCK NO.	SIZE	QTY./CARTON
38056	220mm, 8.7" DIN 0.5-6mm ²	30

SOLDERING IRON

- GS/CE approved
- Voltage: 230V~50/60Hz
- Preheat time: 3~5minuters
- Straight, Tip head
- With a piece of support
- Great for electronics, computer equipment, watch repair and many other hobby and craft projects
- Packing: blister card

INDUSTRIAL



STOCK NO.	INPUT POWER	QTY./CARTON
38060	30W	36
38062	60W	36
38064	100W	36

GLUE GUN

- Rated voltage: 230V~50Hz
- Input power: 15w
- 2pcs glue sticker included
- Packing: double blister
- Approved by GS



STOCK NO.	SIZE	QTY./CARTON
79105		40

12PCS HOT MELT GLUE STICK SET

- Suitable for TOLSEN 79105
- For general use
- Packing: blister card



STOCK NO.	SIZE	QTY./CARTON
79110	11.2x100 mm	120

HELPING HAND MAGNIFIER

- A useful aid for soldering work or model makers.
- Adjustable crocodile holding clamps.
- Bottom compartment is furnish with steel plate which can enhance stability.
- Useful for soldering work, watches, computer repair, jewelry making or any other type of precision work
- Packing: color box



STOCK NO.	DIAMETER OF GLASS LENS	QTY./CARTON
38090	62mm 1-1/2"	24

DIGITAL MULTIMETER

- IEC-61010 CAT III 300V
- 3 1/2 digits LCD, Maximum display 1999
- Large LCD display
- Low Battery indication
- Overload protection
- Data-hold mode
- Auto power off
- Specifications
- DC Voltage: 200m/2/20/200/300V
- AC Voltage: 2/20/200/300V
- DC Current: 200μ/2m/20m/200m/10A
- AC Current: 2m/20m/200m/10A
- Resistance: 200/2k/20k/200k/2M/20MΩ
- Battery Check: 1.5V,9V
- Diode Check
- Battery : 6F22 (9V) included
- Test lead: plug black & red
- CE approved
- Packing: color box



STOCK NO.	SIZE	QTY./CARTON
38031		20

INDUSTRIAL

DIGITAL CLAMP MULTIMETER

- IEC-61010 CATII 600V/CATIII 300V
- 3 1/2 digits LCD, Maximum display 1999
- Maximum opening size :28mm
- Low Battery Indication
- Overload protection
- Data-hold model
- Auto power off
- Specifications
- AC Current: 2/20/200/400A±(1.5% +9)
- AC Voltage: 2/20/200/600V±(1.2% +5)
- DC Voltage: 200m/2/20/200/600V±(0.8% +1)
- Resistance: 200Ω/2kΩ/20kΩ/200kΩ/2MΩ/20MΩ±(1.0% +2)
- Diode Check
- Batteries : 2xAAA (1.5V) included
- Test lead: plug black & red
- CE approved
- Packing: color box



STOCK NO.	SIZE	QTY./CARTON
38034	210x75.6x30mm	20

INDUSTRIAL



TOLSEN VDELIN^E



VDE refers to Verband Deutscher Elektrotechniker in German. Technical working equipment and consumable materials subject to the applicable device and product safety laws bear the VDE-GS mark, which stands for the safety of the product with regard to electrical, mechanical, thermal, toxicological, radiological and other dangers. In addition, tools with the VDE-GS mark conform to the VDE regulations or European or internationally harmonised standards, i.e. they confirm the compliance with the safety requirements of the respective guidelines.

INSULATED TOOLS

PREMIUM
top quality for professionals

 1000V

DOUBLE TRIANGLE AND VOLTAGE RANGE

If insulated tools or aids are marked with the symbol of the double triangle and the assigned voltage or voltage range specification or the class, they are suitable for working on energised parts at the stated voltage.

DIN EN 60900 (IEC 60900)

An international standard which, among other things, describes the design of insulated tools in detail. For example, the thickness of the protective insulation is specified. In addition, the standard defines individual tests (piece tests) as well as series and random sample tests for checking the electrical safety of the protective insulation.



INSULATION TESTS

Every tool is tested to 10,000V



IMPACT TEST

The first test is carried out at ambient temperature of $23 \pm 5^\circ\text{C}$ and the energy of impact test can be equal to a fall from a height of 2 meters.

The second test is carried out at an ambient temperature of $-25 \pm 3^\circ\text{C}$ and the energy of impact test can be equal to a fall from a height of 0.6 meters. If with C marked, the test need to be done by $-40 \pm 3^\circ\text{C}$.



ELECTRICAL TEST

The test piece is immersed in a bath of water at room temperature of 24 ± 0.5 hours. there should be no electrical discharge, spark over or flashover during 3mins testing at a voltage of 10KV.



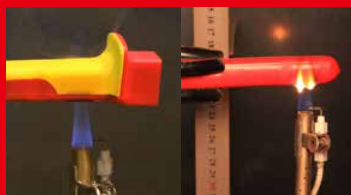
INDENTATION TEST

With loading a weight of 20N and a voltage of 5KV, the indenter is applied to the centre of handle. under the situation, the testing piece should pass the electrical test.



TEST FOR ADHESION OF THE INSULATING MATERIAL COATING

The test piece is heated to $70 \pm 3^\circ\text{C}$ for 168 hours, then loaded with weights. the handle should fully attached to the metal part aer 3mins testing.



FLAME RETARDANCY TEST

The flame is applied to the test piece for 10 seconds. the height of the flame on the burning handle should not exceed 120mm in 20 seconds after burner removed.

INSULATED COMBINATION PLIERS

- VDE/GS certificated
- Manufactured according to EN60900
- Metal part made in CrV steel
- Black finished and polished surface
- Precision machined body with strictly heat treatment
- Heavy two-component insulated handles with slip guards for extra comfort and safety
- Packing: blister card



STOCK NO.	SIZE	QTY./CARTON
V38116	160mm,6"	36
V38117	180mm,7"	36
V38118	200mm,8"	36

INSULATED DIAGONAL CUTTING PLIERS

- VDE/GS certificated
- Manufactured according to EN60900
- Metal part made in CrV steel
- Black finished and polished surface
- Precision machined body with strictly heat treatment
- High leverage eccentric joint which makes the cutting of wires and cables up to 35% easier on the user
- Heavy two-component insulated handles with slip guards for extra comfort and safety
- Packing: blister card



STOCK NO.	SIZE	QTY./CARTON
V38126	160mm,6"	36

INSULATED DIAGONAL CUTTING PLIERS

- VDE/GS certificated
- Manufactured according to EN60900
- Metal part made in CrV steel
- Black finished and polished surface
- Precision machined body with strictly heat treatment
- High leverage eccentric joint which makes the cutting of wires and cables up to 35% easier on the user
- Heavy two-component insulated handles with slip guards for extra comfort and safety
- Packing: blister card



STOCK NO.	SIZE	QTY./CARTON
V38127	180mm,7"	36

INSULATED LONG NOSE PLIERS

- VDE/GS certificated
- Manufactured according to EN60900
- Metal part made in CrV steel
- Black finished and polished surface
- Precision machined body with strictly heat treatment
- Flat-round jaws have serrated gripping surfaces
- Heavy two-component insulated handles with slip guards for extra comfort and safety
- Packing: blister card



STOCK NO.	SIZE	QTY./CARTON
V38136	160mm,6"	36
V38138	200mm,8"	36

INSULATED BENT NOSE PLIERS

- VDE/GS certificated
- Manufactured according to EN60900
- Metal part made in CrV steel
- Black finished and polished surface
- Precision machined body with strictly heat treatment
- Heavy two-component insulated handles with slip guards for extra comfort and safety
- Packing: blister card



STOCK NO.	SIZE	QTY./CARTON
V38146	160mm,6"	36
V38148	200mm,8"	36

INSULATED FLAT NOSE PLIERS

- VDE/GS certificated
- Manufactured according to EN60900
- Metal part made in CrV steel
- Black finished and polished surface
- Precision machined body with strictly heat treatment
- Flat jaws have serrated gripping surfaces
- Heavy two-component insulated handles with slip guards for extra comfort and safety
- Packing: blister card



STOCK NO.	SIZE	QTY./CARTON
V38156	160mm,6"	36

PREMIUM

PREMIUM

PREMIUM

PREMIUM

PREMIUM

PREMIUM

INSULATED ROUND NOSE PLIERS

- VDE/GS certificated
- Manufactured according to EN60900
- Metal part made in CrV steel
- Black finished and polished surface
- Precision machined body with strictly heat treatment
- Heavy two-component insulated handles with slip guards for extra comfort and safety
- Packing: blister card



STOCK NO.	SIZE	QTY./CARTON
V38166	160mm, 6"	36

INSULATED WIRE STRIPPING PLIERS

- VDE/GS certificated
- Manufactured according to EN60900
- Metal part made in CrV steel
- Black finished and polished surface
- Precision machined body with strictly heat treatment
- Smoothly ground accurate V shaped polished jaw head with locking adjustable screw for setting to the desired diameter.
- Can be used for solid or stranded wire up to 5mm (10mm²) diameter.
- Heavy two-component insulated handles with slip guards for extra comfort and safety
- Packing: blister card



STOCK NO.	SIZE	QTY./CARTON
V38176	160mm, 6"	36



Check that the insulation is not damaged each time before using the tool; defective tools must not be used and should be stripped of all insulation.



Keep your 1000V VDE tools clean and dry.

3PCS INSULATED PLIERS SET

- 1pc 180mm insulated combination pliers
- 1pc 160mm insulated long nose pliers
- 1pc 160mm insulated diagonal cutting pliers
- VDE/GS certificated
- Manufactured according to EN60900
- Metal part made in CrV steel
- Black finished and polished surface
- Precision machined body with strictly heat treatment
- Heavy two-component insulated handles with slip guards for extra comfort and safety
- Packing: canvas bag with color box



STOCK NO.	SIZE	QTY./CARTON
V83103		10

4PCS INSULATED PLIERS SET

- 1pc 180mm insulated combination pliers
- 1pc 200mm insulated long nose pliers
- 1pc 160mm insulated diagonal cutting pliers
- 1pc 160mm insulated wire stripping pliers
- VDE/GS certificated
- Manufactured according to EN60900
- Metal part made in CrV steel
- Black finished and polished surface
- Precision machined body with strictly heat treatment
- Heavy two-component insulated handles with slip guards for extra comfort and safety
- Packing: canvas bag with color box



STOCK NO.	SIZE	QTY./CARTON
V83204		10

6PCS INSULATED HAND TOOLS SET

- 1pc 180mm insulated combination pliers
- 1pc 160mm insulated diagonal cutting pliers
- 2pcs insulated slotted screwdriver: 0.4x2.5x75mm, 0.8x4.0x100mm
- 1pc insulated phillips screwdriver: PH2x100mm
- 1pc 3.0x70mm voltage tester
- VDE/GS certificated
- Manufactured according to EN60900
- Packing: canvas bag with color box



STOCK NO.	SIZE	QTY./CARTON
V83306		10

11PCS INSULATED HAND TOOLS SET

- 1pc 180mm insulated combination pliers
- 1pc 200mm insulated long nose pliers
- 1pc 160mm insulated diagonal cutting pliers
- 1pc 160mm insulated wire stripping pliers
- 3pcs insulated slotted screwdriver: 0.4x2.5x75mm, 0.8x4.0x100mm, 1.0x5.5x125mm
- 2pcs insulated phillips screwdriver: PH1x80mm, PH2x100mm
- 1pc 3.0x70mm voltage tester
- 1pc 50x180mm cable knife
- VDE/GS certificated
- Manufactured according to EN60900
- Packing: canvas bag with color box

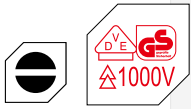


STOCK NO.	SIZE	QTY./CARTON
V83411		6

INSULATED SLOTTED SCREWDRIVER

- VDE/GS certificated
- S2 material blade, entirely hardened and tempered
- Chemically blacked surface
- Grip and sleeve manufactured according to EN60900
- Ergonomic shape for easy to handle
- With hanging hole
- Packing: plastic bag

PREMIUM



STOCK NO.	SIZE	QTY./CARTON
V30204	0.4x2.5x75mm	72
V30205	0.5x3.0x100mm	72
V30206	0.6x3.5x100mm	72
V30208	0.8x4.0x100mm	72
V30210	1.0x5.5x125mm	72
V30212	1.2x6.5x150mm	72

INSULATED PHILLIPS SCREWDRIVER

- VDE/GS certificated
- S2 material blade, entirely hardened and tempered
- Chemically blacked surface
- Grip and sleeve manufactured according to EN60900
- Ergonomic shape for easy to handle
- With hanging hole
- Packing: plastic bag

PREMIUM

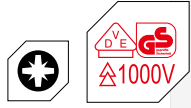


STOCK NO.	SIZE	QTY./CARTON
V30400	PH0x60mm	72
V30401	PH1x80mm	72
V30402	PH2x100mm	72
V30403	PH3x150mm	48

INSULATED POZI SCREWDRIVER

- VDE/GS certificated
- S2 material blade, entirely hardened and tempered
- Chemically blacked surface
- Grip and sleeve manufactured according to EN60900
- Ergonomic shape for easy to handle
- With hanging hole
- Packing: plastic bag

PREMIUM

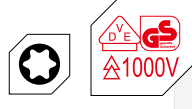


STOCK NO.	SIZE	QTY./CARTON
V30600	PZ0x60mm	72
V30601	PZ1x80mm	72
V30602	PZ2x100mm	72
V30603	PZ3x150mm	48

INSULATED TORX SCREWDRIVER

- VDE/GS certificated
- S2 material blade, entirely hardened and tempered
- Chemically blacked surface
- Grip and sleeve manufactured according to EN60900
- Ergonomic shape for easy to handle
- With hanging hole
- Packing: plastic bag

PREMIUM

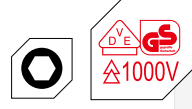


STOCK NO.	SIZE	QTY./CARTON
V30810	T10x70mm	72
V30815	T15x80mm	72
V30820	T20x100mm	72
V30825	T25x125mm	72
V30830	T30x130mm	72

INSULATED HEX SCREWDRIVER

- VDE/GS certificated
- S2 material blade, entirely hardened and tempered
- Chemically blacked surface
- Grip and sleeve manufactured according to EN60900
- Ergonomic shape for easy to handle
- With hanging hole
- Packing: plastic bag

PREMIUM



STOCK NO.	SIZE	QTY./CARTON
V31025	H2.5x75mm	72
V31003	H3.0x75mm	72
V31004	H4.0x75mm	72
V31005	H5.0x75mm	72
V31006	H6.0x100mm	72
V31008	H8.0x100mm	48

INSULATED NUT SCREWDRIVER

- VDE/GS certificated
- Chrome vanadium socket, entirely hardened and tempered
- Chemically blacked surface
- Grip and sleeve manufactured according to EN60900
- Ergonomic shape for easy to handle
- With hanging hole
- Packing: plastic bag

PREMIUM

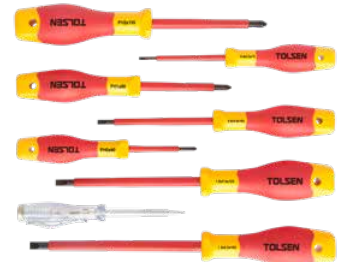


STOCK NO.	SIZE	QTY./CARTON
V31204	4.0x125mm	72
V31205	5.0x125mm	72
V31255	5.5x125mm	72
V31206	6.0x125mm	72
V31207	7.0x125mm	72
V31208	8.0x125mm	72
V31209	9.0x125mm	72
V31210	10x125mm	72
V31211	11x125mm	48
V31212	12x125mm	48
V31213	13x125mm	48
V31214	14x125mm	48

8PCS INSULATED SCREWDRIVERS SET

- 4pcs insulated slotted screwdrivers: 0.4x2.5x75mm, 0.8x4.0x100mm, 1.0x5.5x125mm, 1.2x6.5x150mm
- 3pcs insulated phillips screwdrivers: PH0x60mm, PH1x80mm, PH2x100mm
- 1pc 3.0x70mm voltage tester
- VDE/GS certificated
- Manufactured according to EN60900
- Packing: color box

PREMIUM

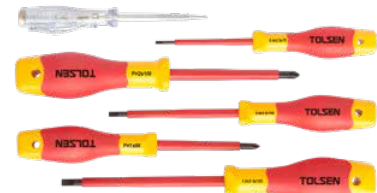


STOCK NO.	SIZE	QTY./CARTON
V32408		12

6PCS INSULATED SCREWDRIVERS SET

- 3pcs insulated slotted screwdrivers: 0.4x2.5x75mm, 0.8x4.0x100mm, 1.0x5.5x125mm
- 2pcs insulated phillips screwdrivers: PH1x80mm, PH2x100mm
- 1pc 3.0x70mm voltage tester
- VDE/GS certificated
- Manufactured according to EN60900
- Packing: color box

PREMIUM



STOCK NO.	SIZE	QTY./CARTON
V33506		12

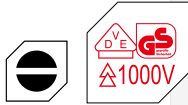


the colored endcap for easy selection

Each insulated tube and whole grip has passed 2 times 10,000V test to ensure safety, obtained VDE/GS certificate.

INSULATED PRECISION SLOTTED SCREWDRIVER

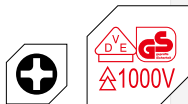
- VDE/GS certificated
- S2 material blade, entirely hardened and tempered
- Chemically blacked surface
- Grip and sleeve manufactured according to EN60900
- Ergonomic shape handle
- Packing: blister card



STOCK NO.	SIZE	QTY./CARTON
V31415	1.5x0.23x50mm	72
V31418	1.8x0.30x50mm	72
V31420	2.0x0.40x50mm	72
V31425	2.5x0.40x50mm	72
V31430	3.0x0.50x50mm	72

INSULATED PRECISION PHILLIPS SCREWDRIVER

- VDE/GS certificated
- S2 material blade, entirely hardened and tempered
- Chemically blacked surface
- Grip and sleeve manufactured according to EN60900
- Ergonomic shape handle
- Packing: blister card



STOCK NO.	SIZE	QTY./CARTON
V31600	PH00x50mm	72
V31601	PH0x50mm	72
V31602	PH1x50mm	72

INSULATED PRECISION TORX SCREWDRIVER

- VDE/GS certificated
- S2 material blade, entirely hardened and tempered
- Chemically blacked surface
- Grip and sleeve manufactured according to EN60900
- Ergonomic shape handle
- Packing: blister card



STOCK NO.	SIZE	QTY./CARTON
V31806	T6x50mm	72
V31808	T8x50mm	72
V31810	T10x50mm	72
V31815	T15x50mm	72
V31820	T20x50mm	72

7PCS INSULATED PRECISION SCREWDRIVER SET

- 5pcs insulated precision slotted screwdrivers: 1.5x0.23x50mm, 1.8x0.30x50mm, 2.0x0.40x50mm, 2.5x0.40x50mm, 3.0x0.50x50mm
- 2pcs insulated precision phillips screwdrivers: PH00x50mm, PH0x50mm;
- VDE/GS certificated
- S2 material blade, entirely hardened and tempered
- Chemically blacked surface
- Grip and sleeve manufactured according to EN60900
- Ergonomic shape handle
- Packing: color box



STOCK NO.	SIZE	QTY./CARTON
V32007		20

12PCS INSULATED CHANGEABLE SCREWDRIVER SET

- 1pc 31x105mm insulated ergonomic shape handle
- 7pcs insulated slotted screwdrivers: 0.4x2.0x100mm, 0.4x2.5x100mm, 0.5x3.0x100mm, 0.6x3.5x100mm, 0.8x4.0x100mm, 1.0x5.5x100mm, 1.2x6.5x100mm
- 3pcs insulated phillips screwdrivers: PH0x100mm, PH1x100mm, PH2x100mm
- 1pc 3.0x70mm voltage tester
- VDE/GS certificated
- Manufactured according to EN60900
- Packing: canvas bag with color box



STOCK NO.	SIZE	QTY./CARTON
V33212		12



VOLTAGE TESTER

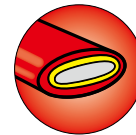
- VDE/GS certificated
- Manufactured according to DIN VDE 0680
- Test voltage: AC 125 ~ 250 V
- Packing: blister card



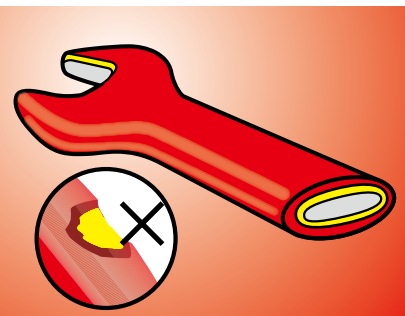
STOCK NO.	SIZE	QTY./CARTON
V70670	3.0x70mm	72

INSULATED OPEN END SPANNER

- VDE/GS certificated
- Manufactured according to EN60900
- Chrome vanadium material body, entirely hardened and tempered
- Handle are dipped with double layers
- Packing: plastic bag with paper hanger



STOCK NO.	SIZE	QTY./CARTON
V40106	6mm	48
V40107	7mm	48
V40108	8mm	48
V40109	9mm	48
V40110	10mm	48
V40111	11mm	48
V40112	12mm	48
V40113	13mm	48
V40114	14mm	48
V40115	15mm	48
V40116	16mm	48
V40117	17mm	48
V40118	18mm	48
V40119	19mm	48
V40121	21mm	36
V40122	22mm	36
V40124	24mm	30
V40127	27mm	30
V40130	30mm	18
V40132	32mm	16



the two-ply check-tool insulation

6PCS INSULATED OPEN END SPANNER SET

- 6pcs Insulated open end spanners: 10mm, 12mm, 13mm, 14mm, 17mm, 19mm
- VDE/GS certificated
- Manufactured according to EN60900
- Chrome vanadium material body, entirely hardened and tempered
- Handle are dipped with double layers
- Packing: canvas bag with color box

PREMIUM



STOCK NO.	SIZE	QTY./CARTON
V83606		10

INSULATED RING SPANNER

- VDE/GS certificated
- Manufactured according to EN60900
- Chrome vanadium material body, entirely hardened and tempered
- Handle are dipped with double layers
- Packing: plastic bag with paper hanger

PREMIUM



STOCK NO.	SIZE	QTY./CARTON
V40306	6mm	48
V40307	7mm	48
V40308	8mm	48
V40309	9mm	48
V40310	10mm	48
V40311	11mm	48
V40312	12mm	48
V40313	13mm	48
V40314	14mm	48
V40315	15mm	48
V40316	16mm	48
V40317	17mm	48
V40318	18mm	48
V40319	19mm	48
V40321	21mm	36
V40322	22mm	36
V40324	24mm	30
V40327	27mm	30
V40330	30mm	18
V40332	32mm	18

INSULATED ADJUSTABLE WRENCH

- VDE/GS certificated
- Manufactured according to EN60900
- Chrome vanadium material body, entirely hardened and tempered
- Chrome plated surface
- Packing: blister card

PREMIUM

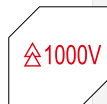


STOCK NO.	SIZE	QTY./CARTON
V40520	200mm, 8"	18
V40525	250mm, 10"	12

INSULATED RATCHET RING SPANNER

- Manufactured according to EN60900
- Chrome vanadium material body, entirely hardened and tempered
- Handle are dipped with double layers
- 72 teeth, 5° working angle
- Packing: plastic bag with paper hanger

PREMIUM



STOCK NO.	SIZE	QTY./CARTON
V42710	10mm	48
V42711	11mm	48
V42712	12mm	48
V42713	13mm	48
V42714	14mm	48
V42715	15mm	48
V42716	16mm	48
V42717	17mm	48
V42718	18mm	48
V42719	19mm	48

INSULATED CABLE KNIFE

- VDE/GS certificated
- Manufactured according to EN60900
- Stainless steel blade, entirely hardened and tempered;
- Packing: blister card

PREMIUM



STOCK NO.	SIZE	QTY./CARTON
V50418	50x180mm	36

INSULATED DISMANTLING KNIFE

- VDE/GS certificated
- Manufactured according to EN60900
- Stainless steel blade, entirely hardened and tempered;
- Packing: blister card

PREMIUM



STOCK NO.	SIZE	QTY./CARTON
V51416	50x185mm	36

INSULATED SCISSOR

- VDE/GS certificated
- Manufactured according to EN60900
- Stainless steel blade, entirely hardened and tempered
- Packing: blister card

PREMIUM



STOCK NO.	SIZE	QTY./CARTON
V90047	160mm	36

INSULATED BOLT CUTTER

- Manufactured according to EN60900
- Chrome vanadium blade, entirely hardened and tempered
- Chrome plated surface
- Insulated fiberglass handle with heavy duty TPR grips
- Packing: white box with color label

PREMIUM



STOCK NO.	SIZE	QTY./CARTON
V12224	600mm, 24"	5

15PCS INSULATED HAND TOOLS SET

PREMIUM J

- 1pc 200mm insulated combination pliers
- 1pc 200mm insulated long nose pliers
- 1pc 160mm insulated diagonal cutting pliers
- 1pc 160mm insulated wire stripping pliers
- 5pcs insulated slotted screwdrivers: 0.4x2.5x75mm, 0.5x3.0x100mm, 0.8x4.0x100mm, 1.0x5.5x125mm, 1.2x6.5x150mm
- 4pcs insulated phillips screwdrivers: PH0x60mm, PH1x80mm, PH2x100mm, PH3x150mm
- 1pc 3.0x70mm voltage tester
- 1pc 50x180mm cable knife
- VDE/GS certificated
- Manufactured according to EN60900
- Packed strong plastic box with EVA inside
- One box Packing: color sleeve with shrink



STOCK NO.	SIZE	QTY./CARTON
V82115		3

18PCS INSULATED HAND TOOLS SET

PREMIUM J

- 1pc 200mm insulated dipped combination pliers
- 1pc 160mm insulated dipped long nose pliers
- 1pc 160mm insulated dipped diagonal cutting pliers
- 1pc 160mm insulated dipped wire stripping pliers
- 3pcs Insulated slotted screwdrivers: 0.4x2.5x75mm, 0.8x4.0x100mm, 1.0x5.5x125mm
- 3pcs insulated phillips screwdrivers: PH0x60mm, PH1x80mm, PH2x100mm
- 5pcs insulated open end spanners: 10mm, 12mm, 14mm, 17mm, 19mm
- 1pc 3.0x70mm voltage tester
- 1pc 50x180mm cable knife
- 1pc 250mm insulated adjustable wrench;
- VDE/GS certificated
- Manufactured according to EN60900
- Packed strong plastic box with EVA inside
- One box Packing: color sleeve with shrink



STOCK NO.	SIZE	QTY./CARTON
V83718		3

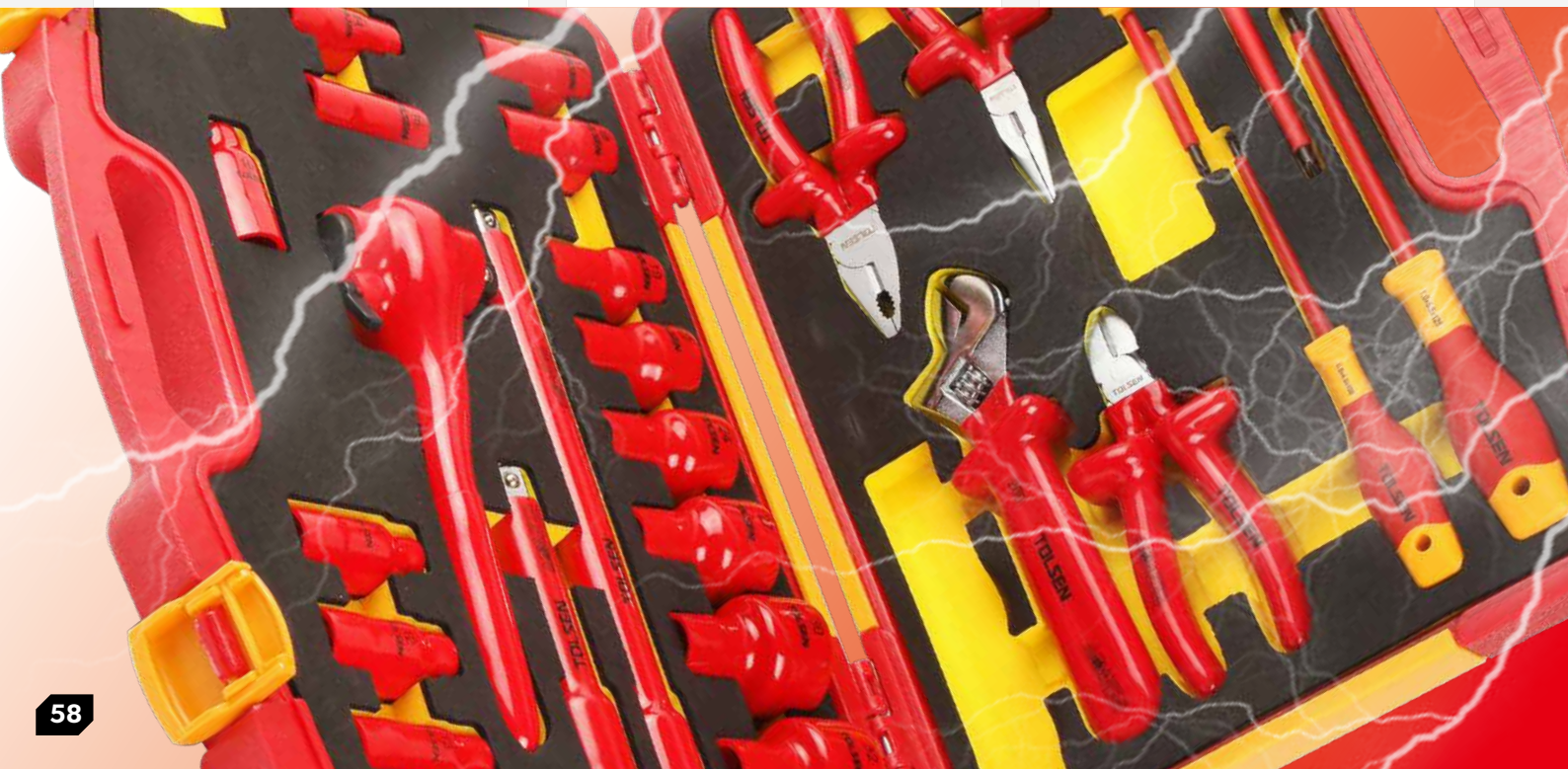
25PCS INSULATED HAND TOOLS SET

PREMIUM J

- 1pc 180mm insulated dipped combination pliers
- 1pc 180mm insulated dipped long nose pliers
- 1pc 160mm insulated dipped diagonal cutting pliers
- 2pcs insulated slotted screwdrivers: 0.8x4.0x100mm, 1.0x5.5x125mm
- 2pcs insulated slotted screwdrivers: PH1x80mm, PH2x100mm
- 14pcs 1/2" insulated dipped sockets: 10mm, 11mm, 12mm, 13mm, 14mm, 16mm, 17mm, 18mm, 19mm, 22mm, 24mm, 27mm, 30mm, 32mm
- 1pc 200mm insulated adjustable wrench
- 2pcs insulated extension bars: 1/2"x125mm, 1/2"x250mm
- 1pc 1/2"x250 insulated dipped reversible ratchet
- VDE/GS certificated
- Manufactured according to EN60900
- Packed strong plastic box with EVA inside
- One box Packing: color sleeve with shrink



STOCK NO.	SIZE	QTY./CARTON
V83825		3





PAINTING & MASONRY TOOLS

WALL SCRAPER

- High quality tool steel, heat treated
- Fine polished
- Wooden handle
- Packing: color label



STOCK NO.	SIZE	QTY./CARTON
40000	30mm	120
40002	50mm	120
40004	80mm	120
40005	100mm	120

3PCS WALL SCRAPER SET

- High quality tool steel, heat treated
- Fine polished
- Wooden handle
- Packing: poly bag with paper hanger



STOCK NO.	SIZE	QTY./CARTON
40007	30, 50, 80mm	80

4PCS WALL SCRAPER SET

- High quality tool steel
- Fine polished
- Plastic handle
- Packing: poly bag with paper hanger



STOCK NO.	SIZE	QTY./CARTON
40008	50, 80, 100, 120mm	120

WALL SCRAPER

- High quality tool steel, heat treated
- Mirror polished
- Two-component TPR handle
- Packing: poly bag with color label

GRIPPro series



STOCK NO.	SIZE	QTY./CARTON
40011	30mm, 1.2"	120
40012	40mm, 1.5"	120
40013	50mm, 2"	120
40014	60mm, 2.5"	120
40015	80mm, 3"	120
40016	100mm, 4"	120
40017	125mm, 5"	120
40018	150mm, 6"	120
40020	200mm, 8"	60
40021	250mm, 10"	60

DRYWALL TAPING KNIFE

- 65Mn blade, heat treated
- Blue finished surface
- Two-component handle
- Packing: color label

GRIPPro series



STOCK NO.	SIZE	QTY./CARTON
40023	200mm, 8"	48
40024	250mm, 10"	48
40025	300mm, 12"	48

PAINT BRUSH

- Flat paint brushes
- White bristle & PET in chrome plated ferrule
- Plastic handle
- Packing: PVC bag with color label



STOCK NO.	SIZE	QTY./CARTON
40031	1"	600
40032	1.5"	480
40033	2"	360
40034	2.5"	360
40035	3"	240
40036	4"	120

INDUSTRIAL

INDUSTRIAL

3 PCS PAINT BRUSH SET

- Flat paint brushes
- White bristle & PET in chrome plated ferrule
- Plastic handle
- Packing: skin card



STOCK NO.	SIZE	QTY./CARTON
40044	1"/1.5"/2"	72

3 PCS PAINT BRUSH SET

- Flat paint brushes
- White bristle & PET in chrome plated ferrule
- Plastic handle
- Packing: skin card



STOCK NO.	SIZE	QTY./CARTON
40045	2"/3"/4"	48

CEILING BRUSH

- White bristle & PET in chrome plated ferrule
- Plastic handle
- Packing: PVC bag with color label



STOCK NO.	SIZE	QTY./CARTON
40038	30x100x44mm	120
40040	40x140x51mm	72

PAINT BRUSH

- Flat paint brush , curved head
- White bristle & PET
- Stainless steel ferrule
- Fine polished wooden handle with hanging hole
- Packing: color label



STOCK NO.	SIZE	QTY./CARTON
40048	1"	360
40049	1.5"	300
40050	2"	240
40051	2.5"	180

PAINT ROLLER

- Material: polyester and acrylic
- Convenient and fast change the roller cover
- Using for outside wall or coarse wall surface
- Packing: poly bag



STOCK NO.	SIZE	FIBRE HEIGHT	DIA. OF CENTRAL SHANK	QTY./CARTON
40054	225mm,9"	11mm	5.7mm	50

PAINT ROLLER

- Material: acrylic
- Convenient and fast change the roller cover
- Using for outside wall or coarse wall surface
- Packing: poly bag



STOCK NO.	SIZE	FIBRE HEIGHT	DIA. OF CENTRAL SHANK	QTY./CARTON
40057	225mm,9"	7mm	5.7mm	50

PAINT ROLLER FRAME

- Steel wire with chrome plated
- Packing: poly bag with color label



STOCK NO.	SIZE	DIA. OF CENTRAL SHANK	QTY./CARTON
40059	225mm,9"	5.7mm	50

ROLLER COVER

- Material: polyester and acrylic
- Convenient and fast change the roller cover
- Using for outside wall or coarse wall surface
- Packing: poly bag



STOCK NO.	SIZE	FIBRE HEIGHT	QTY./CARTON
40070	225mm,9"	11mm	100

ROLLER COVER

- Material: acrylic
- Convenient and fast change the roller cover
- Using for outside wall or coarse wall surface
- Packing: poly bag



STOCK NO.	SIZE	FIBRE HEIGHT	QTY./CARTON
40073	225mm,9"	7mm	100

PAINT ROLLER

- Material: polyester and acrylic
- Convenient and fast change the roller cover
- Using for outside wall or coarse wall surface
- Packing: poly bag



STOCK NO.	SIZE	FIBRE HEIGHT	DIA. OF CENTRAL SHANK	QTY./CARTON
40075	250mm,10"	11mm	7.8mm	50

PAINT ROLLER

- Material: acrylic
- Convenient and fast change the roller cover
- Using for outside wall or coarse wall surface
- Packing: poly bag



STOCK NO.	SIZE	FIBRE HEIGHT	DIA. OF CENTRAL SHANK	QTY./CARTON
40077	250mm,10"	7mm	7.8mm	50

PAINT ROLLER FRAME

- Steel wire with chrome plated
- Packing: poly bag with color label



STOCK NO.	SIZE	DIA. OF CENTRAL SHANK	QTY./CARTON
40079	250mm,10"	7.8mm	50

ROLLER COVER

- Material: polyester and acrylic
- Convenient and fast change the roller cover
- Using for outside wall or coarse wall surface
- Packing: poly bagl



STOCK NO.	SIZE	FIBRE HEIGHT	DIA. OF CENTRAL SHANK	QTY./ CARTON
40081	250mm,10"	11mm	7,8mm	50

ROLLER COVER

- Material: acrylic
- Convenient and fast change the roller cover
- Using for outside wall or coarse wall surface
- Packing: poly bag



STOCK NO.	SIZE	FIBRE HEIGHT	DIA. OF CENTRAL SHANK	QTY./ CARTON
40083	250mm,10"	7mm	7,8mm	50

PAINT ROLLER

- Material: polyester and acrylic
- Convenient and fast change the roller cover
- Packing: poly bag



STOCK NO.	SIZE	LENGTH OF THE HANDLE	FIBRE HEIGHT	DIA. OF CENTRAL SHANK	QTY./ CARTON
40090	100mm,4"	400mm	11mm	5,7mm	100

PAINT ROLLER

- Material: acrylic
- Convenient and fast change the roller cover
- Packing: poly bag



STOCK NO.	SIZE	LENGTH OF THE HANDLE	FIBRE HEIGHT	DIA. OF CENTRAL SHANK	QTY./ CARTON
40091	100mm,4"	400mm	4mm	5,7mm	100

ROLLER COVER

- Material: polyester and acrylic
- Convenient and fast change the roller cover
- Using for outside wall or coarse wall surface
- Packing: poly bag



STOCK NO.	SIZE	FIBRE HEIGHT	DIA. OF CENTRAL SHANK	QTY./ CARTON
40092	100mm,4"	11mm	5,7mm	500

ROLLER COVER

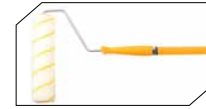
- Material: acrylic
- Convenient and fast change the roller cover
- Using for outside wall or coarse wall surface
- Packing: poly bag



STOCK NO.	SIZE	FIBRE HEIGHT	DIA. OF CENTRAL SHANK	QTY./ CARTON
40093	100mm,4"	4mm	5,7mm	500

EXTENSION POLE

- Powder coated
- Suitable for TOLSEN stock No.: 40054, 40057, 40059
- Extension pole connected with 40112, suitable for TOLSEN No.:40075, 40077, 40079, 40090, 40091
- Packing: color label



STOCK NO.	SIZE	QTY./CARTON
40110	2M	24
40111	3M	24

PLASTIC ADAPTER FOR EXTENSION POLE

- Connect with TOLSEN STOCK : 40110 or 40111



STOCK NO.	QTY./CARTON
40112	96

PAINT TRAY

- Plastic material
- Packing: color label



STOCK NO.	SIZE	QTY./CARTON
40096	360x285x75mm	50

PAINT MIXER (HEX SHANK)

- Special tool steel with powder coating
- Rubber hanging hole
- Packing: PE bag with color label



STOCK NO.	SIZE	QTY./CARTON
40098	400x80x8mm	60
40099	600x100x10mm	30

PAINT MIXER (SDS-PLUS SHANK)

- Special tool steel with powder coating
- Rubber hanging hole
- Packing: PE bag with color label



STOCK NO.	SIZE	QTY./CARTON
40101	400x80x10mm	60
40102	600x100x10mm	30

BRICKLAYING TROWEL

- Wooden handle
- Packing: poly bag with color sticker



STOCK NO.	SIZE	DIA. OF CONNECTING ROD	QTY./CARTON
41008	130mm,5"	7.5mm	72
41000	150mm,6"	7.5mm	72
41001	175mm,7"	9.5mm	48
41002	200mm,8"	9.5mm	48

BRICKLAYING TROWEL

- Plastic handle
- Packing: poly bag with color sticker

GRIPPro
series



STOCK NO.	SIZE	DIA. OF CONNECTING ROD	QTY./CARTON
41050	130mm,5"	7.5mm	72
41051	150mm,6"	7.5mm	72
41052	175mm,7"	9.5mm	48
41053	200mm,8"	9.5mm	48

BRICKLAYING TROWEL

- Plastic handle
- Packing: poly bag with color sticker

GRIPPro
series



STOCK NO.	SIZE	DIA. OF CONNECTING ROD	QTY./CARTON
41003	150mm,6"	7.5mm	72
41004	175mm,7"	9.5mm	72
41005	200mm,8"	9.5mm	48

BRICKLAYING TROWEL

- Plastic handle
- Packing: poly bag with color sticker

GRIPPro
series



STOCK NO.	SIZE	DIA. OF CONNECTING ROD	QTY./CARTON
41055	140x85x105mm	9.5mm	72
41056	160x85x110mm	9.5mm	72
41057	180x90x115mm	9.5mm	48
41058	200x90x120mm	9.5mm	48

PLASTERING TROWEL

- Wooden handle
- Packing: poly bag with color sticker



STOCK NO.	SIZE	QTY./CARTON
41012	280x120mm	48

PLASTERING TROWEL WITH TEETH

- Wooden handle
- With teeth: 10x10mm
- Packing: poly bag with color sticker



STOCK NO.	SIZE	QTY./CARTON
41013	280x120mm	48

PLASTERING TROWEL

- Plastic handle
- Stainless steel
- Packing: poly bag with color sticker

GRIPPro
series



STOCK NO.	SIZE	QTY./CARTON
41016	280x120mm	48

INDUSTRIAL

PLASTERING TROWEL WITH TEETH

- Plastic handle
- Stainless steel
- With teeth: 10x10mm
- Packing: poly bag with color sticker

GRIPPro
series



INDUSTRIAL

STOCK NO.	SIZE	QTY./CARTON
41017	280x120mm	48

FOAM TROWEL

- Material: EVA
- Packing: poly bag with color sticker



STOCK NO.	SIZE	QTY./CARTON
41019	230x100x10mm	48

FOAM TROWEL

- Material: Rubber
- Packing: poly bag with color sticker



STOCK NO.	SIZE	QTY./CARTON
41022	240x100x19mm 4" x 9-1/2" x 3/4"	48

FOAM TROWEL

- PS Plastic handle
- TPR BASE
- Packing: poly bag



STOCK NO.	SIZE	QTY./CARTON
41018	250x95x13mm	48

GLASS CUTTER

- Wooden handle
- With 6pcs wheels blade
- Chrome finished
- Packing: blister card



STOCK NO.	SIZE	QTY./CARTON
41030	130mm	240

HEAVY DUTY GLASS CUTTER

- Plastic handle
- High quality blade
- Packing: blister card



STOCK NO.	SIZE	QTY./CARTON
41031	178mm	240

TILE CUTTER

- Replacable cutting blades: Ø15xØ6x1.5mm
- Max cutting: 10mm
- Packing: color box



STOCK NO.	SIZE	QTY./CARTON
41033	400mm	10

HEAVY DUTY TILE CUTTER

- Replacable cutting blades: Ø15xØ6x1.5mm
- Max cutting: 12mm
- Packing: color box



INDUSTRIAL

INDUSTRIAL



ALUMINIUM BASE AND SUPPORT PARTS
THICK EVA TO PROTECT TILES
ADJUSTABLE MEASURING GUIDE

STOCK NO.	SIZE	QTY./CARTON
41032	600mm	4

HEAVY DUTY TILE CUTTER

- Replace cutting blades: $\varnothing 22 \times \varnothing 10.5 \times 2 \text{mm}$
- Max cutting thickness : 12mm
- Packing: color box



LONGER LIFE
BLADE



ALUMINIUM
BASE AND
SUPPORT
PARTS

THICK EVA
TO PROTECT
TILES

ADJUSTABLE
MEASURING
GUIDE

CUT 45°
ANGLE

STOCK NO.	SIZE	QTY./CARTON
41034	800mm	2

BLADE FOR TILE CUTTER

- High quality TCT material: YG6X
- Suitable for TOLSEN stock No. **41032** and **41033**
- Packing: skin card



STOCK NO.	SIZE	QTY./CARTON
41037	$\varnothing 15 \times \varnothing 6 \times 1.5 \text{mm}$	200

BLADE FOR TILE CUTTER

- High quality TCT material: YG6X
- Suitable for TOLSEN stock No. **41034**
- Packing: skin card



STOCK NO.	SIZE	QTY./CARTON
41038	$\varnothing 22 \times \varnothing 10.5 \times 2 \text{mm}$	50

INDUSTRIAL

INDUSTRIAL

PLANER

- Material of handle: PP
- Packing: color box



STOCK NO.	SIZE	QTY./CARTON
42000	235x44mm	24

BLOCK PLANER

- Aluminium alloy body
- ABS plastic handle
- Packing: paper hanger



STOCK NO.	SIZE	QTY./CARTON
42002	250x40mm	40

BLOCK PLANER

- ABS plastic body
- Packing: paper hanger



STOCK NO.	SIZE	QTY./CARTON
42003	250x40mm	40

PLANER BLADE

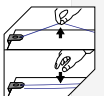
- Suit for TOLSEN No.42002 & 42003
- Special tool steel, black plated
- Packing: polybag+header



STOCK NO.	SIZE	QTY./CARTON
42008	250mm	120

CHALK LINE SET

- 1pc chalk line: 30m
- 1pc blue powder bottle: 115g
- Packing: double blister



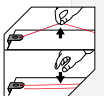
BLUE
POWDER



STOCK NO.	SIZE	QTY./CARTON
42011		48

CHALK LINE REEL

- 1pc chalk line: 30m
- 3 times speed faster rewind
- 1pc red powder bottle: 115g
- Packing: double blister



RED
POWDER



STOCK NO.	SIZE	QTY./CARTON
42012		48

CARPENTER PENCIL

- Oval
- 12pcs packed in color box



x12

STOCK NO.	PENCIL SIZE	PENCIL LEAD SIZE	QTY./ CARTON
42021	12x7.4x176mm	5.0x2.0mm	72

CARPENTER PENCIL (BI-COLOR)

- Oval
- 12pcs packed in color box



x12

STOCK NO.	PENCIL SIZE	PENCIL LEAD SIZE	QTY./ CARTON
42022	10x7.5x176mm	4.0x2.0mm	72

CAULKING GUN

- Aluminium body, steel trigger
- Packing: hang tag



STOCK NO.	SIZE	QTY./CARTON
43041	225mm,9"	24

CAULKING GUN

- Pressed steel, gear pushing bar
- Packing: a color sticker



STOCK NO.	SIZE	QTY./CARTON
43042	225mm,9"	24

HEAVY DUTY CAULKING GUN

- Aluminium body and trigger
- Packing: a color sticker



STOCK NO.	SIZE	QTY./CARTON
43049	225mm,9"	24

3-IN-1 HEAVY DUTY CAULKING GUN

- Pressed steel, chrome plated
- Serrated groove shaft, with cutter
- Packing: a color sticker



STOCK NO.	SIZE	QTY./CARTON
43043	225mm,9"	24

PROFESSIONAL CAULKING GUN

- Aluminium tube body with shaft pusher
- Aluminium cover
- Aluminium lock nut
- Heavy duty aluminium handles
- with 1pc plastic nozzle
- Packing: a color sticker



STOCK NO.	SIZE	QTY./CARTON
43044	225mm,9"	12
43046	375mm,15"	12

PLASTIC NOZZLE FOR ALUMINIUM CAULKING GUN

- Material: PP
- Match with TOLSEN 43044 and 43046
- 5pcs packed in PE bag



x5

STOCK NO.	SIZE	QTY./CARTON
43048		40sets

FOAM GUN

- Aluminium alloy body metal trigger
- Heavy duty design.
- Stainless steel needle
- The adjusting screw make the foam flow fluently
- Individually tested by air pressure
- Packing: color box



STOCK NO.	SIZE	QTY./CARTON
43060		20



PPE

WORKING GLOVES

- Weight: 600g/doz
- Material: cotton and polyester, class A
- Knitted wrist
- One dozen in a polybag with color sticker



STOCK NO.	SIZE	QTY./CARTON
45001	10(XL)	10

WORKING GLOVES

- Weight: 580g/doz
- Material: polyester
- Knitted wrist
- One dozen in a polybag with color sticker



STOCK NO.	SIZE	QTY./CARTON
45002	10(XL)	10

MECHANIC GLOVES

- EVA foam padding absorbs and dissipates high-impact energy through the palm
- Molded PVC knuckle guards and full-length fingertip protection reduce the risk of impact and pinching injuries.
- Form-fitting material keeps your hands cool and comfortable while you work.
- Dual-layer internal fingertip reinforces the index finger and thumb for added durability.
- Durable synthetic leather palm.
- Flexible closure provides a secure fit to the wrist.
- Packing: paper hanger

NEW



STOCK NO.	SIZE	QTY./CARTON
45047	XL	72

MECHANIC GLOVES

- Form-fitting helps keep hands cool and comfortable.
- Double-stitched index finger construction improves durability.
- Flexible closure provides a secure fit to the wrist.
- Packing: paper hanger

NEW



STOCK NO.	SIZE	QTY./CARTON
45044	XL	72

x12

x12

GARDEN GLOVES

- Weight: 700g/doz
- Material: cotton and polyester, class A
- Knitted wrist
- One dozen in a polybag with color sticker



x12

STOCK NO.	SIZE	QTY./CARTON
45006	10(XL)	10

WORKING GLOVES

- Material: polyester
- Yellow nitrile
- Knitted wrist
- Excellent comfort and fit
- Outstanding dexterity
- Excellent puncture resistance at palm, long lasting and perspiration-free, long wearing
- One dozen in a polybag with color sticker



x12

STOCK NO.	SIZE	QTY./CARTON
45010	10(XL)	10

LEATHER WORKING GLOVES

- CE approved
- Material: cow split leather
- Black cow split leather palm rest
- Packing: paper hanger



CE

STOCK NO.	SIZE	QTY./CARTON
45024	10(XL)	72

PVC WORKING GLOVES

- CE approved
- Material: high quality PVC
- Packing: polybag with color sticker



CE

STOCK NO.	SIZE	QTY./CARTON
45031	35cm	72

CUT RESISTANCE PROTECTIVE GLOVES (LEVEL 5)

- CE approved
- 13G cut resistance level 5 liner with PU palm coated
- Seamless HPPE liner offers extraordinary comfort and cut protection
- 13 Gauge offers super thin and more comfortable
- Polyurethane coating offers incredible grip and abrasion resistance
- Durable protection for long time wearing
- Packing: paper hanger



EN388



4543

CE

STOCK NO.	SIZE	QTY./CARTON
45040	9"	60
45041	10"	60

50PCS DUST MASK SET

- Low breathing resistance with high efficiency
- For protection against non-toxic dust, irritating pollen, cut grass, animal dander
- Adjustable nose clip offers a secure fit
- Suggested applications for dusty operations and gardening
- Packing: color box



STOCK NO.	SIZE	QTY./CARTON
45052		20

3PCS DUST MASK SET

- EN149:2001+A1:2009 approved
- FFP1 NR
- Rubber belt
- Metal nose
- Adjustable nose clip offers a secure fit and reduces fogging
- Disposable, lightweight, comfortable wear, and economical
- Suggested applications for grinding, sanding, and sweeping jobs
- Packing: paper hanger



CE

STOCK NO.	SIZE	QTY./CARTON
45054		100

DUST MASK

- EN149:2001+A1:2009
- CE approved
- With active carbon
- FFP2 NR
- With valve
- With rubber belt
- Metal nose
- Exhalation valve offers easier breathing in hot, humid conditions
- Adjustable nose clip offers a secure fit and reduces fogging
- Disposable, lightweight, comfortable wear, and economical
- Suggested applications for grinding, sanding and sweeping jobs
- Packing: paper hanger



CE

STOCK NO.	SIZE	QTY./CARTON
45062		200

SAFETY GOGGLE

- CE and ANSI approved
- Expert quality made from impact resistant polycarbonate
- Gives clear distortion free viewing
- Adjustable leg of frame for comfortable use and fit
- Packing: poly bag with paper hanger



CE

4-positions adjustable length temples

STOCK NO.	SIZE	QTY./CARTON
45071		100

SAFETY GOGGLE

- CE and ANSI approved
- Full view design
- Impact resistant
- Fit to wearing the corrective glasses, also can be used as visitors glasses.
- Can defend against splash particles in the round
- Packing: poly bag with paper hanger



STOCK NO.	SIZE	QTY./CARTON
45072		100

SAFETY GOGGLE (CLEAR)

- CE and ANSI approved
- Expect quality made from Impact resistant polycarbonate
- Gives clear distortion free viewing
- Adjustable leg of frame for comfortable use and fit
- Color of the Lens: nature
- PA frame, PC lens
- With safety rope, prevent the goggle from falling
- Packing: paper hanger and color box

INDUSTRIAL



Anti scratch



Anti UV

4-positions adjustable length temples



Anti shock



Comfortable rubber nose pad

3-positions adjustable angle temples



STOCK NO.	SIZE	QTY./CARTON
45069		80

SAFETY GOGGLE

- Made from high-performance polycarbonate
- Light weight, comfortable to wear, wide visual field
- Impact resistant
- Packing: poly bag with paper hanger



STOCK NO.	SIZE	QTY./CARTON
45073		100

SAFETY GOGGLE

- CE approved to EN166
- Impact resistant
- Soft and light weight PVC frame with air holes
- High-impact polycarbonate lenses have high transparency comfortable for wearing.
- Packing: poly bag with paper hanger



STOCK NO.	SIZE	QTY./CARTON
45074		100

EAR PLUG

- Conforms to ear structure, safe and sanitary
- Made from polyurethane foam, smooth and ultra supple; superior noise reduction effect, let operators keep acute hearing in noise ambient.
- Packing: OPP bag



STOCK NO.	SIZE	QTY./CARTON
45081		2000

EAR MUFF

- CE approved
- Foldable design for convenient carry and store
- Impact-resistant ABS shell body, soft foam pad
- SNR: 28dB
- Packing: poly bag with paper hanger



STOCK NO.	SIZE	QTY./CARTON
45082		50

EAR MUFF

- CE and ANSI approved
- Self-aligning suspension, easily adjusts muffs on headband for quick fitting
- Soft foam-filled cushion provides good seal for protection against harmful noise
- SNR: 26dB, NRR=21dB
- Packing: paper hanger



STOCK NO.	SIZE	QTY./CARTON
45083		60

SAFETY HELMET

- CE approved
- PP plastic body
- Buckle adjustment
- Chin strap included
- Four-point suspension
- With slots on both sides to equip face shield or other sound insulation products
- Packing: poly bag with color sticker



STOCK NO.	SIZE	QTY./CARTON
45188	YELLOW	20
45189	BLUE	20
45190	RED	20
45191	WHITE	20

SAFETY HELMET

- ABS plastic Body
- Four-point double layer lining splicing structure
- X-type back ribbon lock
- CE approved
- Packing: poly bag with color sticker

INDUSTRIAL



STOCK NO.	SIZE	QTY./CARTON
45088		20

SAFETY HELMET

- CE and ANSI approved
- HDPE plastic Body
- Six-point ribbon lining splicing structure
- Adjustable headband
- Packed by poly bag with paper hanger



STOCK NO.	SIZE	QTY./CARTON
45089	BLUE	20
45090	RED	20
45091	WHITE	20

FACE SHIELD

- CE approved
- HDPE headgear
- PC face shield
- Ratchet adjustment suspension with sweatband for improve comfort
- Flip up for different viewing angles
- Packing: color label



STOCK NO.	SIZE	QTY./CARTON
45182		40

REFLECTOR VEST

- CE approved to EN471
- Polyester
- 5cm width high reflective tape
- Packing: polybag



STOCK NO.	SIZE	QTY./CARTON
45102	S	100
45103	M	100
45092	L	100
45093	XL	100
45094	XXL	100
45095	XXXL	100

REFLECTOR VEST

- CE approved to EN471
- Polyester
- 5cm width high reflective tape
- Packing: polybag



STOCK NO.	SIZE	QTY./CARTON
45110	L	100
45111	XL	100
45112	XXL	100
45113	XXXL	100

SAFETY BOOTS

- CE approved EN20345-S1P
- Steel toe cap
- Steel midsole
- Anti-static & Anti-Vibration & Oil resistant & Slip resistant
- Split leather upper
- Dual density pu sole
- Packing: color box

NEW



S1P



STOCK NO.	US	UK	EU	QTY./CARTON
45351	7	6	39#	10
45352	7.5	6.5	40#	10
45353	8	7	41#	10
45354	9	8	42#	10
45355	10	9	43#	10
45356	11	10	44#	10
45357	11.5	10.5	45#	10
45358	12	11	46#	10



IMPACT RESISTANCE



BREATHABILITY



OIL AND FUEL RESISTANCE



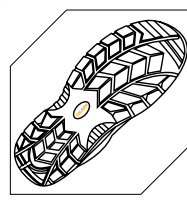
PENETRATION RESISTANCE



ANTI-STATIC



ENERGY ABSORPTION



ANTI-SLIP

SAFETY BOOTS

- CE approved EN20345-S5
- Material: PVC
- Steel toe cap and steel midsole
- High level oil, acid, alkali resistance ,100% waterproof
- Deslitching shoe sole
- Packing: poly bag with color label



Impact Resistance



Brea thability



Oil And Fuel Resistance



Penetra tion Resistance



Anti-s tatic



Ener gy Absorption



S5



STOCK NO.	US	UK	EU	QTY./CARTON
45115	7.5	6.5	40#	6
45116	8	7	41#	6
45117	9	8	42#	6
45118	10	9	43#	6
45119	11	10	44#	6
45120	11.5	10.5	45#	6

KNEE PADS

- CE approved
- Professional design for comfortable use
- Soft and flexible material gives your knees well protection
- Packing: poly bag with paper hanger



STOCK NO.	SIZE	QTY./CARTON
45106		24

RAINCOAT

- 100% new PVC
- Thickness: 0.32mm
- Packing: PVC bag
- With color sticker



STOCK NO.	SIZE	QTY./CARTON
45096	M	16
45097	L	16
45098	XL	16
45099	XXL	16
45100	XXXL	16

7 WHITE LED HEAD LIGHT

- Main material: ABS
- Multi-function: 1LED-3LED-7LED
- Brightness: 50 Lumens
- Battery type: 3xAAA Batteries (NOT included)
- Packing: double blister



STOCK NO.	SIZE	QTY./CARTON
60011		60

LED WORKING LIGHT

- Material: ABS
- Battery Voltage: 4.5V
- Battery type: 3xAA Batteries (NOT included)
- LED source: 24 LED
- Brightness: 40 Lumens
- Range: 30M
- Working time: 10 Hours
- Product N.W: 120g
- Waterproof: IP62
- Packing: display box



STOCK NO.	SIZE	QTY./CARTON
60015	210x58x30mm	48

LED FLASHLIGHT

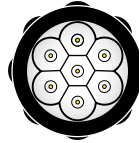
- Material: PP+PVC
- Battery Voltage: 3V
- Battery type: 2xAA Batteries (NOT included)
- LED source: 3 LED
- Brightness: 12 Lumens
- Range: 10M
- Working time: 16 Hours
- Product N.W: 65g
- Waterproof: IP62
- Packing: PP card



STOCK NO.	SIZE	QTY./CARTON
60020	Ø40x148mm	60

LED FLASHLIGHT

- Material: PP+PVC
- Battery Voltage: 3V
- Battery type: 2xD Batteries (NOT included)
- LED source: 7 LED
- Brightness: 30 Lumens
- Range: 15M
- Working time: 30 Hours
- Product N.W: 220 g
- Waterproof: IP62
- Packing: PP card



STOCK NO.	SIZE	QTY./CARTON
60021	Ø70x208mm	48

LED FLASHLIGHT

- Led Flashlight, 1watt CREE
- Main material: aluminium
- Battery Voltage: 1.5V
- Battery type: 1xAA Battery (NOT included)
- Brightness: 50 Lumens
- Range: 50M
- Working time: 1.5 Hours
- Product N.W: 36g
- Waterproof: IP66
- Packing: double blister



STOCK NO.	SIZE	QTY./CARTON
60031	Ø20x97.5mm	60

LED FLASHLIGHT WITH ZOOM FUNCTION

- Led Flashlight, 3 watt CREE
- Main material: aluminium
- Battery Voltage: 4.5V
- Battery type: 3xAAA Batteries (NOT included)
- Brightness: 150 Lumens
- Range: 120M
- Working time: 5 Hours
- Product N.W: 95g
- Waterproof: IP65
- Packing: double blister



STOCK NO.	SIZE	QTY./CARTON
60033	Ø34x110mm	36

LED FLASHLIGHT WITH ZOOM FUNCTION

- Led Flashlight, 10 watt CREE
- Main material: aluminium
- Battery Voltage: 4.5V
- Battery type: 3xC Batteries (NOT included)
- Brightness: 550 Lumens
- Range: 300M
- Working time: 8 Hours
- Product N.W: 200g
- Waterproof: IP65
- Packing: double blister



STOCK NO.	SIZE	QTY./CARTON
60035	Ø38.5x212mm	24

3-LED TELESCOPING PICK UP TOOL

- 3 ultra-bright LEDs
- 2 magnets at the ends of the Lamp
- Flexible neck 17.5-57cm
- Aluminium body
- 4 batteries Lr44
- Three colors available
- Packing: display box with paper card



STOCK NO.	SIZE	QTY./CARTON
66011		48

HEAVY DUTY ALUMINUM PICK UP TOOL

- Aluminum alloy tube
- Tube dia.:23.8mm, thickness:0.8mm
- Ergonomic handle with safety lock
- Non-slip rubber jaw to ensure a secure hold
- High quality nylon plastic components
- Packing: hang tag



STOCK NO.	LENGTH	QTY./CARTON
50093	870mm	12

PICK UP TOOL WITH CLAW

- Flexible shaft, chrome plated
- size of claw: 1.5x0.6mm
- Max grabbing capacity: 750g
- Max grabbing diameter: 25mm
- Mangetic holding capacity: 4Lbs
- Two-component plastic handle
- Packing: paper hange

NEW

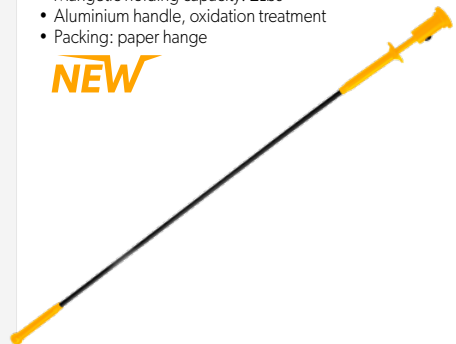


STOCK NO.	LENGTH	QTY./CARTON
66015	610mm, 41"	72

PICK UP TOOL WITH CLAW & LED LIGHT

- With LED light, 3xAG13/LR44
- Flexible shaft, black finished
- size of claw: 1.5x0.6mm
- Max grabbing capacity: 750g
- Max grabbing diameter: 25mm
- Mangetic holding capacity: 2Lbs
- Aluminium handle, oxidation treatment
- Packing: paper hange

NEW



STOCK NO.	LENGTH	QTY./CARTON
66020	610mm, 41"	72

TAPE DISPENSER

- PP material
- Suitable for adhesive tape tape width: ≤ 50mm(2"), tape core diameter: 76mm(3"), tape outer diameter: 115mm(4.5")
- Including one roll of adhesive tape
- Packing: color box



STOCK NO.	SIZE	QTY./CARTON
50000		24

BOPP PACKING TAPE, CLEAR

- Superb tack and adhesion to surface
- Used for carton sealing
- Transparent
- Five rolls Packing: shrink



STOCK NO.	SIZE	QTY./CARTON
50200	48mm x 30m 1.88" x 32.8yards	150
50202	48mm x 50m 1.88" x 54.6yards	100
50206	48mm x 100m 1.88" x 109.3yards	60

BOPP PACKING TAPE, SUPER CLEAR

- Superb tack and adhesion to surface
- Used for carton sealing
- Transparent, super clear
- One roll Packing: shrink with color paper



TRANSPARENT SUPER CLEAR

STOCK NO.	SIZE	QTY./CARTON
50203	48mm x 50m 1.88" x 54.6yards	100

BOPP PACKING TAPE, BROWN

- Superb tack and adhesion to surface
- Used for carton sealing
- Brown
- Five rolls Packing: shrink



STOCK NO.	SIZE	QTY./CARTON
50212	48mm x 50m 1.88" x 54.6yards	100
50216	48mm x 100m 1.88" x 109.3yards	60

MASKING TAPE

- With excellent heat resistance,fast paste,easy to peel off and tear, writing conveniently, soft and tender
- No residue after peeling off
- Ideal for surface masking protection,powder spraying, baking finish,paint coating masking application
- Packing: shrink with color paper



EXCELLENT HEAT RESISTANCE



FAST PASTE



WRITING CONVENIENTLY



EASY TO PEEL OFF AND TEAR

STOCK NO.	SIZE	QTY./CARTON
50244	18mm x 30m 0.71" x 32.8yards	48sets (96pcs)
50245	24mm x 30m 0.94" x 32.8yards	72
50246	36mm x 30m 1.42" x 32.8yards	48
50248	48mm x 30m 1.88" x 32.8yards	36
50249	48mmx50m 1.88" x 54.6 yards	36

SELF ADHESIVE FIBERGLASS TAPE

- High tensile strength,good bonding ability
- Acid-alkaline resistance ,corrosion resistance
- Excellent positioning
- Packing: shrink wrap



STOCK NO.	SIZE	QTY./CARTON
50270	48mm x 45m 1.88" x 49.2 yards	36
50271	48mmx90m 1.88" x 98.4 yards	24

CLOTH DUCT TAPE

- Taking textile fabric cloth as the backing which is very durable
- High tensile strength
- Easy to tear by hand
- Designed for the reinforced protection of various pipes and objects, heavy duty packaging, carpet joints and affixing
- Packing: shrink wrap



STOCK NO.	SIZE	QTY./CARTON
50281	48mm x 25m 1.88" x 27.3 yards	36

CEILING BRUSH

- PET
- Plastic (PP) handle
- Packing: color label with shrink



STOCK NO.	SIZE	QTY./CARTON
50004	170x70mm	48

DRAIN CLEANER

- Full flexible plated spring steel
- With plastic handle
- With "S" hook, zinc plated
- Packing: color label with shrink



STOCK NO.	SIZE	QTY./CARTON
50100	Ø5.5mmx3M	40
50101	Ø9mmx5M	10
50102	Ø9mmx10M	5

NYLON CABLE TIE

- Nylon 66, 94V-2 certificate by UL
- Nature
- 100pcs packed in PE bag with color label (50105, 50108)
- 50pcs packed in PE bag with color label (50110)



STOCK NO.	SIZE	QTY./CARTON
50105	2.5x100mm	100/400 bags
50108	3.6x200mm	100/200 bags
50110	4.8x300mm	50/200 bags

NYLON CABLE TIE

- Nylon 66
- Black
- Size: 2.5x100mm
- MAX diameter: 2-22mm
- 100pcs Packing: PE bag with color label



STOCK NO.	SIZE	QTY./CARTON
50115	2.5x100mm	100/400 bags
50118	3.6x200mm	100/200 bags
50120	4.8x300mm	50/200 bags

1200PCS NYLON CABLE TIE SET

- Nylon 66
- Contains:
 - 2.5x100mm White 300pcs
 - 2.5x100mm Black 200pcs
 - 2.5x100mm Yellow 100pcs
 - 2.5x100mm Blue 100pcs
 - 3.5x200mm White 400pcs
 - 4.6x300mm White 100pcs
- Packing: color label



STOCK NO.	QTY./CARTON
50140	12

SHELF BRACKET

- Special tool steel
- Powder coated
- Packing: paper hanger



STOCK NO.	SIZE	QTY./CARTON
51001	100x75mm	288
51002	100x125mm	288
51003	125x150mm	288
51004	150x200mm	288
51005	200x250mm	144
51006	250x300mm	144
51007	300x350mm	144

SHELF BRACKET

- Special tool steel
- Powder coated
- Packing: paper hanger



STOCK NO.	SIZE	QTY./CARTON
51011	100x75mm	288
51012	100x125mm	288
51013	125x150mm	288
51014	150x200mm	288
51015	200x250mm	144
51016	250x300mm	144
51017	300x350mm	144

HEAVY DUTY BRASS PADLOCK

- Material: brass
- Hardened steel shackle, chrome plated
- Double bolted
- Rustproof interior
- With 3 pcs brass keys
- Packing: double blister

LOCKplus



STOCK NO.	SIZE	WEIGHT	QTY./CARTON
55111	20mm	38g	192
55113	30mm	100g	120
55114	40mm	166g	72
55115	50mm	282g	48
55116	60mm	395g	36

INDUSTRIAL

BRASS PADLOCK WITH LONG SHACKLE

- Material: brass
- Hardened steel shackle, chrome plated
- Weight: 130g
- Double bolted
- Rustproof interior
- With 2 pcs brass keys
- Packing: double blister

LOCKplus



STOCK NO.	SIZE	WEIGHT	QTY./ CARTON
55109	40mm	130	72

COMBINATION BRASS PADLOCK

- Material: brass
- Steel shackle, chrome plated
- Weight: 115g
- With 3 Code Wheels
- Packing: double blister

LOCKplus



STOCK NO.	SIZE	WEIGHT	QTY./ CARTON
55123	30mm	115	72

INDUSTRIAL

IRON PADLOCK

- Material: Iron
- With 3pcs iron keys
- Brass lock cylinder
- With waterproof rubber cover
- Packing: color box



STOCK NO.	SIZE	WEIGHT	QTY./ CARTON
55133	32mm	85g	180
55134	38mm	125g	120
55135	50mm	260g	60
55136	63mm	460g	36

DISC PADLOCK

- Material: stainless steel
- Mirror polished surface
- Hardened steel shackle
- Weight: 190g
- With 3 pcs keys, nickel plated
- Packing: double blister



STOCK NO.	SIZE	QTY./CARTON
55175	70mm	72

BICYCLE LOCK

- PVC wirerope, zinc alloy lock cylinder, ABS case
- With 2pcs iron keys
- Packing: tie card



STOCK NO.	SIZE	QTY./CARTON
55170	ø12x800mm	60

DENT PULLER

- Plastic body
- Packing: double blister



STOCK NO.	SIZE	CUP DIAMETER	QTY./ CARTON
62661	25kgs	11.5cm	24

DENT PULLER

- With two suction cups
- Plastic body
- Packing: double blister



STOCK NO.	SIZE	CUP DIAMETER	QTY./ CARTON
62662	50kgs	11.5cm	12

DENT PULLER

- With three suction cups
- Plastic body
- Packing: double blister



STOCK NO.	SIZE	CUP DIAMETER	QTY./ CARTON
62663	75kgs	11.5cm	10

2PCS LUGGAGE ROPE SET

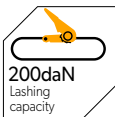
- Material: latex and rubber
- Diameter: 7mm
- Hook: 3mm, with protective caps
- Packing: PVC bag with paper hanger



STOCK NO.	SIZE	QTY./CARTON
62242	600mm, 24"	72
62243	900mm, 36"	72

2PCS TIE DOWN SET

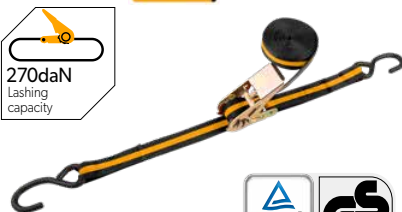
- GS approved
- Lashing capacity: 200daN
- Strap width: 25mm
- Packing: blister card



STOCK NO.	SIZE	QTY./CARTON
62246	25mmx2.5M	48

RATCHET TIE DOWN

- GS approved
- Lashing capacity: 135daN
- Strap width: 25mm
- Zinc plated ratchet
- Packing: blister card

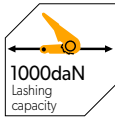


STOCK NO.	SIZE	QTY./CARTON
62248	25mmx5M	36

RATCHET TIE DOWN

- GS approved
- Lashing capacity: 1000daN
- Strap width: 38mm
- With ratchet and double j hooks, Zinc plated
- Packing: plastic hanger with color label

NEW

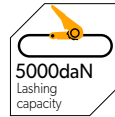
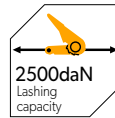


STOCK NO.	SIZE	QTY./CARTON
62261	38mm x 6M	12

RATCHET TIE DOWN

- GS approved
- Lashing capacity: 2500daN
- Strap width: 50mm
- With ratchet and double j hooks, Zinc plated
- Packing: straps

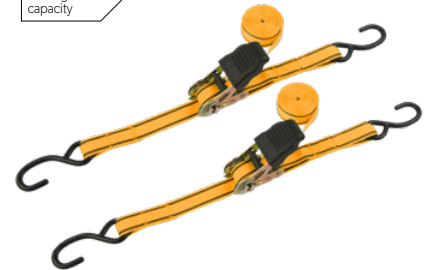
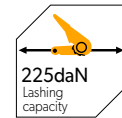
NEW



STOCK NO.	SIZE	QTY./CARTON
62265	50mm x 9M	6

2PCS RATCHET TIE DOWN SET

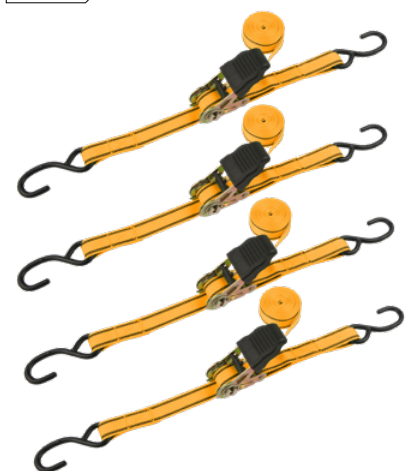
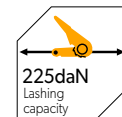
- GS approved
- Lashing capacity: 225daN
- Strap width: 25mm
- Zinc plated ratchet, with PVC grip
- Packing: plastic hanger with color label



STOCK NO.	SIZE	QTY./CARTON
62252	25mmx5M	12

4PCS RATCHET TIE DOWN SET

- GS approved
- Lashing capacity: 225daN
- Strap width: 25mm
- Zinc plated ratchet, with PVC grip
- Packing: plastic hanger with color label



STOCK NO.	SIZE	QTY./CARTON
62254	25mmx5M	6

FOLDABLE HAND TROLLEY

- TUV/GS approved
- Overall size: 425x420x980 mm
- Plate size: 275x420 mm
- High quality tubular steel frame with heavy duty base plate
- With 150mm (6") PP+Rubber Wheels
- Packing: color label with plastic bag



STOCK NO.	MAX. LOAD CAPACITY	QTY./CARTON
62600	70kgs	1

FOLDABLE PLATFORM HAND TRUCK

- TUV/GS approved
- With lock bar for folding the 90°
- PP+TPR swivel wheels
- Packing: color label with plastic bag



62606 with brake



STOCK NO.	MAX. LOAD CAPACITY	OVERALL SIZE	PLATFORM SIZE	WHEEL SIZE	QTY./CARTON
62605	150kgs	730 x 470 x 850 mm	730 x 470 mm	100mm, 4"	1
62606	300kgs	900 x 600 x 845mm	900 x 600 mm	125mm, 5"	1

STEEL LADDER

- Material: steel
- Packing : color paper with plastic bag



STOCK NO.	LOAD CAPACITY	MAX LOAD	OPEN SIZE	FOLDING SIZE	QTY./CARTON
62680	200LBS	800LBS	480 x 510 x 720 mm	480 x 90 x 790 mm	2

STEEL LADDER

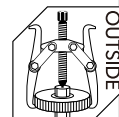
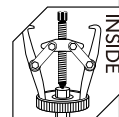
- Material: steel
- Packing : color paper with plastic bag



STOCK NO.	LOAD CAPACITY	OPEN SIZE	FOLDING SIZE	QTY./CARTON
62683	150kgs	690 x 470 x 1030 mm	470 x 140 x 1190 mm	2

2-JAW GEAR PULLER

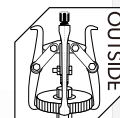
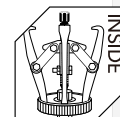
- Overall drop forged special tool steel with hardened treatment
- Zinc plated surface treatment
- Thread: black finished
- Packing: drawing box



STOCK NO.	A(max)	QTY./CARTON
65000	3"	20
65001	4"	20
65002	6"	12
65003	8"	6

3-JAW GEAR PULLER

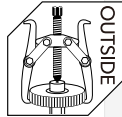
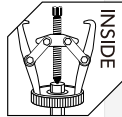
- Overall drop forged special tool steel with hardened treatment
- Zinc plated surface treatment
- Thread: black finished
- Packing: drawing box



STOCK NO.	A(max)	QTY./CARTON
65010	3"	20
65011	4"	20
65012	6"	12
65013	8"	6

2-JAW GEAR PULLER

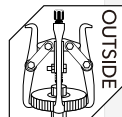
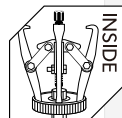
- CrV
- Overall forged steel with hardened treatment
- Chrome plated surface treatment
- Thread: black finished
- Packing: drawing box



STOCK NO.	A(max)	QTY./CARTON
65020	3"	20
65021	4"	16
65022	6"	8
65023	8"	4

3-JAW GEAR PULLER

- CrV
- Overall forged steel with hardened treatment
- Chrome plated surface treatment
- Thread: black finished
- Packing: drawing box



STOCK NO.	A(max)	QTY./CARTON
65030	3"	20
65031	4"	16
65032	6"	8
65033	8"	4

GREASE GUN

- Capacity: 500g
- Length: 400mm
- Max pressure: 8500PSI
- Material: steel
- Comfortable plastic handle
- With 1pc 300mm flexible hose
- With 1pc 150mm steel hose
- Packing: color box



STOCK NO.	CAPACITY	QTY./CARTON
65200	500g	12

FLEXIBLE TUBE FOR GREASE GUN

- Match with TOLSEN 65200
- Packing: poly bag
- M10x1.0



STOCK NO.	SIZE	QTY./CARTON
65202	8x300mm	100

OIL CAN

- Iron body with yellow powder coated
- Flexible spout
- Iron robust pump with zinc plated
- O-seal ring in the cover
- Packing: color label



STOCK NO.	SIZE	QTY./CARTON
65223	300ml	60
65225	500ml	48

PE FUNNEL

- With stainless steel mesh
- Extension tube: 250mm
- Packing: plastic bag with color label



STOCK NO.	DIAMETER	QTY./CARTON
65230	145mm	50

HAND PUMP

- Material: steel
- Packing: paper hanger



STOCK NO.	SIZE	QTY./CARTON
65501	Ø38x485mm	20

HAND GREASE PUMP

- Barrel diameter: 220mm
- Height: 380mm
- Hose length: 1500mm
- Pressure: 3000psi
- Material of barrel: Steel
- Rubber handle
- Packing: carton box

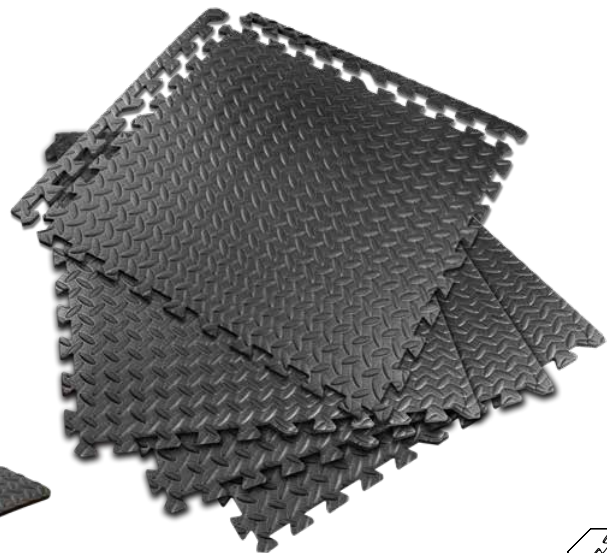


STOCK NO.	CAPACITY	QTY./CARTON
65210	16KGS	1

4PCS ANTI-FATIGUE JOINT MAT SET

- Black Color
- High quality EVA foam
- Anti-slip
- Interlock connectable sides
- Packing: 4pcs in shrink with color paper

STOCK NO.	SIZE	THICKNESS	QTY./ CARTON
65497	24" x 24" (600x600mm)	10mm	10 sets



ANTI-FATIGUE FOAM MAT

- Black Color
- High quality EVA foam
- RoHS approved
- Water resistant
- Easy to clean mats are great for use around sinks and washers to prevent injuries and to protect floors
- Great for use in work shops and garages to prevent fatigue
- Packing: shrink with color paper

BOOSTER CABLE

- 16mm², 220A
- GS APPROVED
- Packing: PVC bag



PNEUMATIC ROLLER SEAT

- 5 pcs swivel casters for easy movement
- Heavy duty steel frame
- Well padded seat
- With handy tool tray
- Easy adjustable seat height (120mm range)
- Caster size: 2.5 inch
- Powder coat finish
- Packing: color box



STOCK NO.	SIZE	QTY./CARTON
65499	46" x 93" (117x236cm)	6



STOCK NO.	SIZE	QTY./CARTON
65601	3M	10

STOCK NO.	WEIGHT CAPACITY	QTY./CARTON
65495	150kgs / 330LB	1

BOTTLE JACK

- GS approved
- Steel plate instead of cast iron for environment protection
- Preventing from oil leakage
- Oil remaining clear after using
- Packing: color box

INDUSTRIAL



2x LONGER LIFE
TOUGH ENOUGH TO GET THE JOB DONE

LEAK PROOF WELDED CONSTRUCTION

OIL REMAINING CLEAR AFTER USING



STOCK NO.	CAPACITY	MIN HEIGHT	LIFT HEIGHT	ADJUSTABLE HEIGHT	NET WEIGHT	QTY./ CARTON
65402	2 Tons	180 mm	112 mm	48 mm	2.35kgs	6
65404	4 Tons	190 mm	118mm	60mm	2.5kgs	6
65406	6 Tons	210mm	125mm	70mm	3.7kgs	4
65410	10 Tons	225mm	145mm	80mm	4.96kgs	4
65420	20 Tons	240mm	150mm	60mm	9.7kgs	2

HYDRAULIC TROLLEY JACK

- GS approved
- Heavy duty
- Fast lifting dual pump
- Packing: color box

INDUSTRIAL



FAST LIFTING DUAL PUMP



STOCK NO.	CAPACITY	MIN HEIGHT	MAX HEIGHT	NET WEIGHT	QTY./CARTON
65464	3 Tons	130 mm	465mm	29.3kgs	1

HYDRAULIC TROLLEY JACK

- GS approved
- Packing: color box

INDUSTRIAL



STOCK NO.	CAPACITY	MIN HEIGHT	MAX HEIGHT	NET WEIGHT	QTY./ CARTON
65462	2 Tons	135 mm	330 mm	8.5kgs	1
65463	3 Tons	135 mm	400 mm	16.7kgs	1

JACK STANDS

- GS approved
- Ratchet style allows for fine adjustment and fast remove
- Solid steel handle, self-locking ratchet
- Large saddle, unitized frame construction
- Ductile iron rack
- Packing: color box

INDUSTRIAL



STOCK NO.	CAPACITY	MIN HEIGHT	MAX HEIGHT	NET WEIGHT	QTY./ CARTON
65482	2 Tons	278 mm	420 mm	5.1kgs	4 Pairs
65483	3 Tons	288mm	425mm	6.6kgs	4 Pairs

HAND CABLE PULLER

- CE approved
- Double gear & double hooks with zinc plated
- Soft rubber handle
- Packing: color box



STOCK NO.	CAPACITY	CABLE SIZE	QTY./CARTON
62442	2 Tons	5.0mm x 3M	6



INVERTER MMA DC WELDING MACHINE

- IGBT Inverter technology
- Input voltage(V):230AC
- Frequency(HZ):50/60
- 1pc electrode holder with cable
- 1pc earth clamp with cable
- 1pc welding brush
- 1pc welding mask
- Net weight(Kg):4.0
- Packing: color box



STOCK NO.	Rated input capacity (KVA)	No load voltage (V)	Output current (A)	Max output current (A)	Duty cycle (%)	Electrode size (mm)	QTY./ CARTON
44016	6.0	85	10-160	160	160A @ 40%	ø1.6- 4.0	2
44020	7.5	75	10-200	200	200A @ 40%	ø1.6- 5.0	2

WELDING GLOVES

- Material: cow split leather
- Lengthened for better protection
- Packed by paper hanger



STOCK NO.	SIZE	QTY./CARTON
45025	14	72

WELDING GLOVES

- Material:Cow split leather
- Lengthened for better protection
- With half lining
- Packed by paper hanger



STOCK NO.	SIZE	QTY./CARTON
45026	14	48

WELDING GOGGLE

- Flip design with open-close locking position
- Soft and light weight PVC frame
- Colored inorganic outer glass lens
- Transparent clear inner glass lens
- Packing: poly bag with paper hanger



STOCK NO.	SIZE	QTY./CARTON
45075		100

WELDING MASK

- Impacted resistant shell
- Packing: polybag with color sticker



STOCK NO.	GLASS SIZE	QTY./CARTON
45085	108x50x3mm	50

WELDING MASK

- Impacted resistant shell
- Anti wear
- Moveable type glass
- Packing: polybag with color sticker



STOCK NO.	GLASS SIZE	QTY./CARTON
45086	108x50x3mm	25

AUTOMATIC WELDING MASK

- CE approved
- Light state: DIN.4
- Dark state: DIN.9-13
- Switching time(s): 1/25000
- Delay time: 0.2-0.8s continue adjustable
- Power supply: Solar cells & lithium batteries
- Power on/off: Fully automatic
- Shade knob: Out
- Sensitivity: Adjustable
- Suitable for ARC, TIG, MIG, Spot, Micro, Wire, AC, DC, and Plasma Welders and Plasma Cutters
- Packing: color box

INDUSTRIAL



STOCK NO.	FILTER SIZE	VIEWING SIZE	QTY./ CARTON
45087	110x90x10mm	92x42mm	4

ELECTRODE HOLDER

- Material: Upper iron, Lower brass
- Electrodes through:
 - 44930** 5/64"-1/4" (2.0-6.35mm)
 - 44931** 3/32"-3/8" (2.5-9.5mm)
- Packing: color box



STOCK NO.	LENGTH	AMP CAPACITY	QTY./ CARTON
44930	250mm	300A	25
44931	260mm	500A	25

ELECTRODE HOLDER

- CE approved
- Material: Upper iron, Lower brass
- Electrodes through 3/32"-3/8" (2.5-9.5mm)
- Packing: color box



STOCK NO.	LENGTH	AMP CAPACITY	QTY./ CARTON
44933	250mm	500A	25
44934	270mm	800A	25

EARTH CLAMP

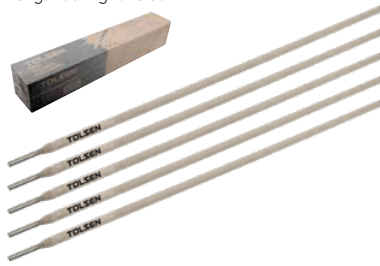
- Material of the handle: Chrome-plated iron
- Gripper material: Brass
- Packing: color box



STOCK NO.	GRIPPER LENGTH	GRIPPER THICKNESS	CURRENT	QTY./ CARTON
44940	170mm	0.7mm	300A	60
44941	210mm	0.8mm	500A	40

WELDING ELECTRODE

- E6013
- For welding normal carbon steel structure
- 5kgs Packing: one box



STOCK NO.	SIZE	KGS/CARTON
44952	2.5x300mm	20kgs
44953	3.2x350mm	20kgs
44954	4.0x400mm	20kgs

WELDING ELECTRODE

- E7018
- Excellent for welding carbon and low alloy steel structure
- 5kgs Packing: one box



STOCK NO.	SIZE	KGS/CARTON
44963	3.2x350mm	20kgs
44964	4.0x400mm	20kgs

MAGNETIC WELDING HOLDER

- For holding workpieces when soldering or welding
- Working angles: 45°, 75°, 135°
- Manufactured from high quality pressed steel with strong magnet
- Packing: double blister

NEW



STOCK NO.	SIZE	KGS/CARTON
44910	25 LBS	48
44911	50 LBS	30
44912	75 LBS	18

WELDING CHIPPING HAMMER

- Special tool steel
- Dual design features a chisel on one side, and a point on the other side to help get into tight spots
- Spring handle to resist shock



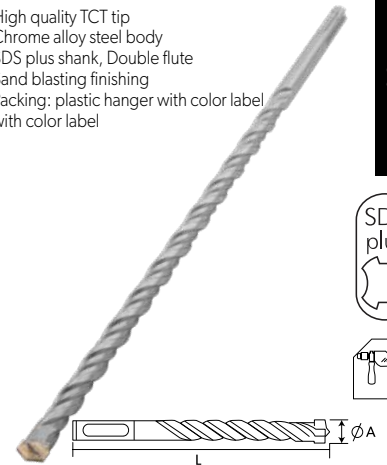
STOCK NO.	SIZE	KGS/CARTON
44945	300g	48



SDS-PLUS HAMMER DRILL BITS

- High quality TCT tip
- Chrome alloy steel body
- SDS plus shank, Double flute
- Sand blasting finishing
- Packing: plastic hanger with color label with color label

INDUSTRIAL



STOCK NO.	AxL	QTY./CARTON
75301	5x110mm	400
75317	5.5x110mm	400
75302	6x110mm	400
75318	6.5x110mm	400
75303	7x110mm	320
75304	8x110mm	320
75306	10x110mm	320
75308	12x110mm	240
75321	5x160mm	320
75337	5.5x160mm	320
75322	6x160mm	320
75338	6.5x160mm	320
75323	7x160mm	320
75324	8x160mm	240
75325	9x160mm	240
75326	10x160mm	240
75327	11x160mm	240
75328	12x160mm	160
75329	13x160mm	160
75330	14x160mm	160
75342	6x210mm	240
75344	8x210mm	240
75346	10x210mm	160
75347	11x210mm	160
75348	12x210mm	160
75349	13x210mm	120
75350	14x210mm	120
75352	16x210mm	80
75377	5.5x260mm	200
75362	6x260mm	200
75363	7x260mm	200
75364	8x260mm	160
75365	9x260mm	160
75366	10x260mm	160
75367	11x260mm	160
75368	12x260mm	120
75369	13x260mm	120
75370	14x260mm	80
75372	16x260mm	80
75384	8x310mm	160
75386	10x310mm	120
75387	11x310mm	120
75388	12x310mm	120
75390	14x310mm	80
75392	16x310mm	60
75394	18x310mm	40
75396	20x310mm	40
75406	10x450mm	80
75408	12x450mm	80
75409	13x450mm	60
75410	14x450mm	60
75412	16x450mm	40
75414	18x450mm	40
75415	20x450mm	30
75416	22x450mm	30
75417	24x450mm	25
75421	32x450mm	10

SDS-PLUS HAMMER DRILL BITS X-TIP

- High quality TCT tip
- Chrome alloy steel body
- SDS plus shank, Double flute
- Sand blasting finishing
- Packing: plastic hanger with color label & shrink

NEW

INDUSTRIAL

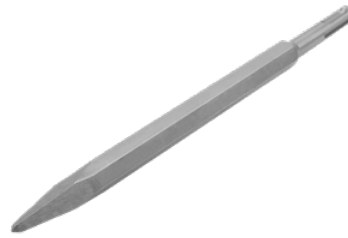


STOCK NO.	AxL	QTY./CARTON
74802	6x110mm	200
74804	8x110mm	200
74822	8x110mm	200
74824	8x160mm	200
74826	10x160mm	200
74828	12x160mm	200
74830	14x160mm	100
74832	16x160mm	100
74842	6x210mm	200
74844	8x210mm	200
74846	10x210mm	200
74848	12x210mm	200
74850	14x210mm	100
74852	16x210mm	100
74864	8x260mm	200
74866	10x260mm	200
74868	12x260mm	100
74870	14x260mm	100
74872	16*260mm	50
74874	18x260mm	50
74886	10x310mm	100
74888	12x310mm	100
74890	14x310mm	100
74892	16x310mm	50
74894	18x310mm	50
74906	10x450mm	100
74908	12x450mm	100
74910	14x450mm	50
74912	16x450mm	50
74914	18x450mm	25
74916	20x450mm	25
74918	22x450mm	25
74921	25x450mm	25

SDS-PLUS POINT CHISEL

- Chrome alloy steel body
- Sand blasting finishing
- Packing: plastic hanger with color label

INDUSTRIAL



STOCK NO.	SIZE	QTY./CARTON
75440	14x250mm	60

SDS-PLUS FLAT CHISEL

- Chrome alloy steel body
- Sand blasting finishing
- Packing: plastic hanger with color label

INDUSTRIAL



STOCK NO.	SIZE	QTY./CARTON
75441	14x250 x 20mm	60

SDS-PLUS FLAT CHISEL

- Chrome alloy steel body
- Sand blasting finishing
- Packing: plastic hanger with color label

INDUSTRIAL



STOCK NO.	SIZE	QTY./CARTON
75442	14x250x40mm	60

SDS-PLUS CHISEL

- Chrome alloy steel body
- Sand blasting finishing
- Packing: plastic hanger with color label

INDUSTRIAL



STOCK NO.	SIZE	QTY./CARTON
75448	14x250x22mm	60

SDS-MAX POINT CHISEL

- Chrome alloy steel body
- Sand blasting finishing
- Packing: plastic hanger with color label

INDUSTRIAL



STOCK NO.	SIZE	QTY./CARTON
75456	18x400mm	30

SDS-MAX FLAT CHISEL

- Chrome alloy steel body
- Sand blasting finishing
- Packing: plastic hanger with color label

INDUSTRIAL



STOCK NO.	SIZE	QTY./CARTON
75457	18x400x25mm	30

HEX POINT CHISEL

- Chrome alloy steel body
- Sand blasting finishing
- Packing: plastic tube with color label

INDUSTRIAL



STOCK NO.	SIZE	QTY./CARTON
75450	17x280mm	40

HEX FLAT CHISEL

- Chrome alloy steel body
- Sand blasting finishing
- Packing: plastic tube with color label

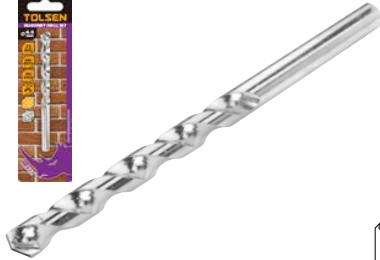
INDUSTRIAL



STOCK NO.	SIZE	QTY./CARTON
75451	17x280x25mm	40

MASONRY DRILL BITS

- ISO5468, DIN8039
- High quality TCT tip
- 130° general angle
- Cylindrical shank
- Chrome plated surface
- Application in all rotary and percussion drilling machines
- For use in brick masonry block Light concrete
- Packing: blister card



STOCK NO.	SIZE	QTY./CARTON
75460	3x60mm	300
75461	4x75mm	300
75462	5x85mm	300
75475	5.5x100mm	300
75463	6x100mm	200
75476	6.5x100mm	200
75477	7.0x100mm	200
75464	8x120mm	200
75478	9x120mm	160
75465	10x120mm	160
75466	12x150mm	120
75479	13x150mm	100
75467	14x150mm	100
75468	16x150mm	80

CONCRETE DRILL BIT

- High quality TCT tip
- Chrome alloy steel body
- Round shank, double flute
- Sand blasting finishing
- Packing: blister card



STOCK NO.	SIZE	QTY./CARTON
75500	3.0x60mm	400
75501	4.0x75mm	400
75502	4.5x75mm	400
75503	5.0x85mm	400
75504	5.5x100mm	400
75505	6.0x100mm	400
75506	6.5x100mm	400
75507	7.0x100mm	320
75508	8.0x120mm	320
75509	8.5x120mm	320
75510	9.0x120mm	320
75511	10.0x120mm	240
75512	11.0x150mm	240
75513	12.0x150mm	240
75514	13.0x150mm	160
75515	14.0x150mm	160
75516	15.0x150mm	160
75517	16.0x150mm	80
75518	18.0x160mm	80
75519	19.0x160mm	80
75520	20.0x160mm	80
75521	22.0x160mm	60
75522	24.0x160mm	60
75523	25.0x160mm	60

EXTRA-LONG CONCRETE DRILL BIT

- High quality TCT tip
- Chrome alloy steel body
- Round shank, double flute
- Sand blasting finishing
- Packing: PVC bag



STOCK NO.	SIZE	QTY./CARTON
75530	8.0x200mm	240
75540	6.0x300mm	120
75541	8.0x300mm	120
75542	10.0x300mm	120
75543	12.0x300mm	120
75544	13.0x300mm	80
75545	14.0x300mm	80
75546	16.0x300mm	40
75547	18.0x300mm	40
75548	20.0x300mm	30
75549	25.0x300mm	30
75560	6.0x400mm	80
75561	8.0x400mm	80
75562	10.0x400mm	80
75563	12.0x400mm	80
75564	13.0x400mm	60
75565	14.0x400mm	60
75566	16.0x400mm	40
75567	18.0x400mm	40
75568	20.0x400mm	30
75569	25.0x400mm	30

HSS TWIST DRILL BITS

- HSS, DIN338
- Roll forged
- 118° general angle
- Packing: poly bag with color label



STOCK NO.	SIZE	FLUTE LENGTH	QTY./CARTON
75000	1.0x34mm	12mm	8000
75001	1.5x43mm	20mm	8000
75002	2.0x49mm	24mm	8000
75003	2.5x57mm	30mm	8000
75004	3.0x61mm	33mm	4000
75032	3.2x65mm	36mm	4000
75005	3.5x70mm	39mm	4000
75006	4.0x75mm	43mm	2000
75033	4.2x75mm	43mm	2000
75007	4.5x80mm	47mm	2000
75034	4.8x86mm	52mm	2000
75008	5.0x86mm	52mm	2000
75009	5.5x93mm	57mm	2000
75010	6.0x93mm	57mm	1000
75011	6.5x101mm	63mm	1000
75012	7.0x109mm	69mm	1000
75013	7.5x109mm	69mm	500
75014	8.0x117mm	75mm	500
75015	8.5x117mm	75mm	500
75016	9.0x125mm	81mm	500
75017	9.5x125mm	81mm	300
75018	10.0x133mm	87mm	300
75019	10.5x133mm	87mm	300
75020	11.0x142mm	94mm	200
75021	11.5x142mm	94mm	200
75022	12.0x151mm	101mm	200
75023	12.5x151mm	101mm	200
75024	13.0x151mm	101mm	200
75025	14.0x160mm	108mm	200
75026	15.0x169mm	114mm	100
75027	16.0x178mm	120mm	100

M2 HSS TWIST DRILL BITS

- HSS/M2, DIN338
- Fully ground
- 135° split point
- Packing: blister card



SPLIT POINT



STOCK NO.	SIZE	FLUTE LENGTH	QTY./CARTON
75040	1.0x34mm	12mm	160sets (2pcs)
75041	1.5x43mm	20mm	160sets (2pcs)
75042	2.0x49mm	24mm	160sets (2pcs)
75043	2.5x57mm	30mm	160sets (2pcs)
75044	3.0x61mm	33mm	160sets (2pcs)
75072	3.2x65mm	36mm	80
75045	3.5x70mm	39mm	80
75046	4.0x75mm	43mm	80
75073	4.2x75mm	43mm	80
75047	4.5x80mm	47mm	80
75074	4.8x86mm	52mm	80
75048	5.0x86mm	52mm	80
75049	5.5x93mm	57mm	80
75050	6.0x93mm	57mm	80
75051	6.5x101mm	63mm	60
75052	7.0x109mm	69mm	60
75053	7.5x109mm	69mm	60
75054	8.0x117mm	75mm	60
75055	8.5x117mm	75mm	60
75056	9.0x125mm	81mm	60
75057	9.5x125mm	81mm	60
75058	10.0x133mm	87mm	60
75059	10.5x133mm	87mm	60
75060	11.0x142mm	94mm	40
75061	11.5x142mm	94mm	40
75062	12.0x151mm	101mm	40
75063	12.5x151mm	101mm	40
75064	13.0x151mm	101mm	40

M35 HSS TWIST DRILL BITS

- HSS/M35 (Co5%), DIN338
- Fully ground
- 135° split point
- Packing: blister card



INDUSTRIAL



SPLIT POINT
COBALT+



STOCK NO.	SIZE	FLUTE LENGTH	QTY./CARTON
75140	1.0x34mm	12mm	160sets (2pcs)
75141	1.5x43mm	20mm	160sets (2pcs)
75142	2.0x49mm	24mm	160sets (2pcs)
75143	2.5x57mm	30mm	160sets (2pcs)
75144	3.0x61mm	33mm	160sets (2pcs)
75172	3.2x65mm	36mm	80
75145	3.5x70mm	39mm	80
75146	4.0x75mm	43mm	80
75173	4.2x75mm	43mm	80
75147	4.5x80mm	47mm	80
75174	4.8x86mm	52mm	80
75148	5.0x86mm	52mm	80
75149	5.5x93mm	57mm	80
75150	6.0x93mm	57mm	80
75151	6.5x101mm	63mm	60
75152	7.0x109mm	69mm	60
75153	7.5x109mm	69mm	60
75154	8.0x117mm	75mm	60
75155	8.5x117mm	75mm	60
75156	9.0x125mm	81mm	60
75157	9.5x125mm	81mm	60
75158	10.0x133mm	87mm	60
75159	10.5x133mm	87mm	60
75160	11.0x142mm	94mm	40
75161	11.5x142mm	94mm	40
75162	12.0x151mm	101mm	40
75163	12.5x151mm	101mm	40
75164	13.0x151mm	101mm	40
75165	14.0x160mm	108mm	30
75166	15.0x169mm	114mm	30
75167	16.0x178mm	120mm	30

M35 HSS TWIST DRILL BITS (INCH)

- HSS/M35 (Co5%), DIN338
- Fully ground
- 135° split point
- Packing: blister card

NEW



INDUSTRIAL



SPLIT POINT
COBALT+



STOCK NO.	SIZE	FLUTE LENGTH	QTY./CARTON
75200	1/16"x48mm	22mm	160sets (2pcs)
75201	5/64"x51mm	25mm	160sets (2pcs)
75202	3/32"x57mm	32mm	160sets (2pcs)
75203	7/64"x67mm	38mm	160sets (2pcs)
75204	1/8"x70mm	41mm	160sets (2pcs)
75205	9/64"x73mm	44mm	80
75206	5/32"x79mm	51mm	80
75207	11/64"x83mm	54mm	80
75208	3/16"x89mm	59mm	80
75209	13/64"x92mm	62mm	80
75210	7/32"x95mm	64mm	80
75211	15/64"x98mm	67mm	80
75212	1/4"x105mm	73mm	80
75213	17/64"x105mm	73mm	80
75214	9/32"x108mm	75mm	60
75215	19/64"x111mm	78mm	60
75216	5/16"x114mm	81mm	60
75217	21/64"x117mm	84mm	60
75218	11/32"x121mm	87mm	60
75219	23/64"x124mm	89mm	60
75220	3/8"x127mm	92mm	60
75221	25/64"x130mm	95mm	60
75222	13/32"x133mm	98mm	60
75223	27/64"x137mm	100mm	40
75224	7/16"x140mm	103mm	40
75225	29/64"x143mm	106mm	40
75226	15/32"x146mm	110mm	40
75227	31/64"x149mm	111mm	40
75228	1/2"x152mm	114mm	30

BLACK & GOLD HSS FRACTIONAL STRAIGHT SHANK JOBBER LENGTH DRILL BITS

- HSS/M2, DIN338
- High Speed Steel features a gold shank and black flute
- 130° Split point
- Packing: plastic box

NEW

INDUSTRIAL



SPLIT POINT



STOCK NO.	SIZE	FLUTE LENGTH	QTY./CARTON
75105	1.0x34mm	12mm	40
75106	1.5x43mm	20mm	40
75107	2.0x49mm	24mm	40
75108	2.5x57mm	30mm	40
75109	3.0x61mm	33mm	40
75110	3.2x65mm	32mm	40
75111	3.5x70mm	39mm	40
75112	3.8x75mm	43mm	40
75113	4.0x75mm	43mm	40
75114	4.2x75mm	43mm	24
75115	4.5x80mm	47mm	24
75116	4.8x86mm	52mm	24
75117	5.0x86mm	52mm	24
75118	5.5x93mm	57mm	24
75119	6.0x93mm	57mm	24
75120	6.5x101mm	63mm	16
75121	7.0x109mm	69mm	16
75122	7.5x109mm	69mm	16
75123	8.0x117mm	75mm	16
75124	8.5x117mm	75mm	16
75125	9.0x125mm	81mm	16
75126	9.5x125mm	81mm	16
75127	10.0x133mm	87mm	16
75128	10.5x133mm	87mm	16
75129	11.0x142mm	94mm	16
75130	11.5x142mm	94mm	16
75131	12.0x151mm	101mm	16
75132	12.5x151mm	101mm	16
75133	13.0x151mm	101mm	16

WOOD DRILL BIT

- Special tool steel
- DIN338
- Hardened and tempered
- Black finished with polished surface
- Packing: skin card



STOCK NO.	SIZE	QTY./CARTON
75600	3x61mm	100
75601	4x75mm	100
75602	5x86mm	100
75603	6x93mm	100
75604	7x109mm	80
75605	8x117mm	80
75606	9x125mm	80
75607	10x133mm	80
75608	11x142mm	60
75609	12x151mm	60
75610	13x151mm	60

FLAT WOOD BITS

- Special tool steel hardened and tempered
- Precision polished
- With 1/4" quick release hex shank
- Total length:152mm
- Packing: blister card



STOCK NO.	SIZE	QTY./CARTON
75631	6mm	180
75632	8mm	180
75633	10mm	180
75634	12mm	180
75635	13mm	180
75636	14mm	180
75637	16mm	180
75638	18mm	180
75639	19mm	180
75640	20mm	180
75641	22mm	180
75642	24mm	180
75643	25mm	180
75644	28mm	180
75645	30mm	180
75646	32mm	180
75647	35mm	180
75648	36mm	180
75649	38mm	180
75650	40mm	180

TILE AND GLASS DRILL BIT

- High quality carbide tip
- Special tool steel shank
- Sand blasting finished surface
- Packing: blister card



STOCK NO.	SIZE	QTY./CARTON
75690	3mm	100
75691	4mm	100
75692	5mm	100
75693	6mm	100
75694	7mm	100
75695	8mm	100
75696	9mm	100
75697	10mm	100
75699	12mm	100

5PCS WOOD DRILL BITS SET

- Special tool steel
- DIN338
- Hardened and tempered
- Black finished with polished surface
- Packing: plastic box



STOCK NO.	SIZE	QTY./CARTON
75625	4, 5, 6, 8, 10mm	80

8PCS WOOD DRILL BITS SET

- Special tool steel
- DIN338
- Hardened and tempered
- Black finished with polished surface
- Packing: plastic box



STOCK NO.	SIZE	QTY./CARTON
75626	3, 4, 5, 6, 7, 8, 9, 10mm	60

5PCS MASONRY DRILL BITS SET

- ISO5468, DIN8039
- High quality TCT tip
- 130° general angle
- Cylindrical shank
- Chrome plated surface
- Application in all rotary and percussion drilling machines
- For use in brick masonry block light concrete
- Packing: plastic box



STOCK NO.	SIZE	QTY./CARTON
75459	4x75, 5x85, 6x100, 8x120, 10x120 mm	80

13PCS HSS TWIST DRILL BITS SET

- HSS, DIN338
- Roll forged
- 118° general angle
- Packing: iron box with color label



STOCK NO.	SIZE	QTY./CARTON
75080	1.5, 2, 2.5, 3, 3.2, 3.5, 4, 4.4, 5, 4.8, 5.5, 5.5, 6, 6.5mm	48

19PCS HSS TWIST DRILL BITS SET

- HSS, DIN338
- Roll forged
- 118° general angle
- Packing: iron box with color label



STOCK NO.	SIZE	QTY./CARTON
75081	1, 1.5, 2, 2.5, 3, 3.5, 4, 4.5, 5, 5.5, 6, 6.5, 7, 7.5, 8, 8.5, 9, 9.5, 10mm	24

25PCS HSS TWIST DRILL BITS SET

- HSS, DIN338
- Roll forged
- 118° general angle
- Packing: iron box with color label



STOCK NO.	SIZE	QTY./CARTON
75082	1,1.5,2,2.5,3,3.5,4,4.5,5,5.5,6,6.5,7,7.5,8,8.5,9,9.5,10,10.5,11,11.5,12,12.5,13mm	10

19PCS BLACK & GOLD HSS FRACTIONAL STRAIGHT SHANK JOBBER LENGTH DRILL BITS SET

- HSS/M2, DIN338
- High Speed Steel features a gold shank and black flute
- 130° Split point
- 3-flatted shank on 5mm and above for better chuck grip
- Packing: color box

NEW

INDUSTRIAL



STOCK NO.	SIZE	QTY./CARTON
75086	1,1.5,2,2.5,3,3.5,4,4.5,5,5.5,6,6.5,7,7.5,8,8.5,9,9.5,10mm	24

16PCS DRILL BITS SET

- 6pcs HSS TWIST drill bits: 2.0, 3.0, 4.0, 5.0, 6.0, 8.0 mm
- 5pcs wood drill bits: 4.0, 5.0, 6.0, 8.0, 10.0 mm
- 6pcs masonry drill bits: 4.0, 5.0, 6.0, 8.0, 10.0 mm
- Packing: plastic box with double blister



STOCK NO.	QTY./CARTON
75628	24

15PCS HSS M2 TWIST DRILL BITS SET (INCH)

- HSS/M2, DIN338
- 135° Split point
- Packing: plastic case with double blister

NEW

INDUSTRIAL



STOCK NO.	SIZE	QTY./CARTON
75100	1/16"-1/16"-5/64"-3/32"-3/32"-7/64"-1/8"-1/8"-9/64"-5/32"-3/16"-7/32"-1/4"-5/16"-3/8"	

6PCS FLAT WOOD BITS SET

- Carbon steel hardened and tempered
- Precision polished
- With 1/4" quick release hex shank
- Total length: 152mm
- Packing: double blister

NEW



STOCK NO.	SIZE	QTY./CARTON
75656	3/8"(10mm)-1/2"(13mm)-5/8"(16mm)-3/4"(19mm)-7/8"(22mm)-1"(25mm)	36

TCT HOLE SAW

- 3-ply cutters reduces tip crack even with hard use
- Special Carbide tip can drilling the Stainless Steel sheet smoothly and nicely
- Long life working of the hardened steel
- Apply on portable and pillar drilling machines
- Packing: plastic box with color label



STOCK NO.	SIZE	QTY./CARTON
75914	14mm	80
75915	15mm	80
75916	16mm	80
75918	18mm	80
75920	20mm	80
75922	22mm	80
75923	23mm	80
75925	25mm	80
75926	26mm	80
75928	28mm	80
75930	30mm	60
75932	32mm	60
75935	35mm	60
75938	38mm	60
75940	40mm	60
75942	42mm	40
75945	45mm	40
75948	48mm	40
75950	50mm	40
75955	55mm	40
75960	60mm	40
75965	65mm	30
75970	70mm	30
75975	75mm	30

FLAT CUTTING-OFF WHEEL (TYPE 41)

- For metal & stainless steel



80
M/S

EN
12413



STOCK NO.	SIZE	MAX. RPM	QTY./ CARTON
76101	105x1.2x16mm 4"x1/21"x5/8"	15,300	400
76102	115x1.2x22.2mm 4-1/2"x1/21"x7/8"	13,300	400
76103	125x1.2x22.2mm 5"x1/21"x7/8"	12,250	400
76105	180x1.6x22.2mm 7"x1/16"x7/8"	8,500	200
76107	230x2.0x22.2mm 9"x1/12"x7/8"	6,650	100
76120	350x3.0x25.4mm 14"x1/8"x1"	4,400	25

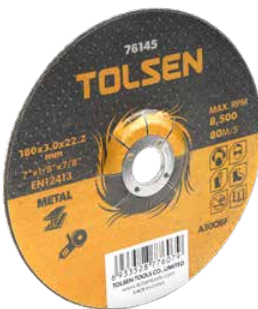
DEPRESSED CENTRE CUTTING-OFF WHEEL (TYPE 42)

- For metal



80
M/S

EN
12413



STOCK NO.	SIZE	MAX. RPM	QTY./ CARTON
76141	100x3.0x16.0mm 4"x1/8"x5/8"	15,300	200
76142	115x3.0x22.2mm 4-1/2"x1/8"x7/8"	13,300	200
76143	125x3.0x22.2mm 5"x1/8"x7/8"	12,250	200
76145	180x3.0x22.2mm 7"x1/8"x7/8"	8,500	100
76147	230x3.0x22.2mm 9"x1/8"x7/8"	6,650	50

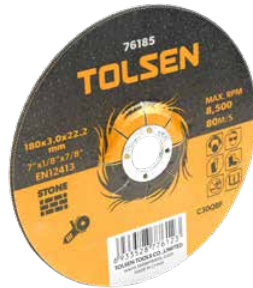
DEPRESSED CENTRE CUTTING-OFF WHEEL (TYPE 42)

- For stone



80
M/S

EN
12413



STOCK NO.	SIZE	MAX. RPM	QTY./ CARTON
76181	100x3.0x16.0mm 4"x1/8"x5/8"	15,300	200
76182	115x3.0x22.2mm 4-1/2"x1/8"x7/8"	13,300	200
76183	125x3.0x22.2mm 5"x1/8"x7/8"	12,250	200
76185	180x3.0x22.2mm 7"x1/8"x7/8"	8,500	100
76187	230x3.0x22.2mm 9"x1/8"x7/8"	6,650	50

DEPRESSED CENTRE GRINDING WHEEL (TYPE 27)

- For metal



80
M/S

EN
12413



STOCK NO.	SIZE	MAX. RPM	QTY./ CARTON
76301	100x6.0x16.0mm 4"x1/4"x5/8"	15,300	100
76302	115x6.0x22.2mm 4-1/2"x1/4"x7/8"	13,300	100
76303	125x6.0x22.2mm 5"x1/4"x7/8"	12,250	100
76305	180x6.0x22.2mm 7"x1/4"x7/8"	8,500	50
76307	230x6.0x22.2mm 9"x1/4"x7/8"	6,650	30

DEPRESSED CENTRE GRINDING WHEEL (TYPE 27)

- For stone



80
M/S

EN
12413



STOCK NO.	SIZE	MAX. RPM	QTY./ CARTON
76321	100x6.0x16.0mm 4"x1/4"x5/8"	15,300	200
76322	115x6.0x22.2mm 4-1/2"x1/4"x7/8"	13,300	200
76323	125x6.0x22.2mm 5"x1/4"x7/8"	12,250	200
76325	180x6.0x22.2mm 7"x1/4"x7/8"	8,500	100
76327	230x6.0x22.2mm 9"x1/4"x7/8"	6,650	50

TCT SAW BLADE

- Suitable for wood cutting
- Packing: double blister



STOCK NO.	SIZE	ADJUSTING WASHER	QTY./ CARTON
76410	110mm(4-3/8") x 40T x 20mm	16mm	100
76420	115mm(4-1/2") x 40T x 22.2mm	16mm	100
76430	185mm(7-1/4") x 24T x 30mm	16/20/25.4mm	50
76431	185mm(7-1/4") x 40T x 30mm	16/20/25.4mm	50
76440	210mm(8-1/4") x 24T x 30mm	16/20/25.4mm	50
76441	210mm(8-1/4") x 48T x 30mm	16/20/25.4mm	50
76450	235mm(9-1/4") x 40T x 30mm	16/20/25.4mm	25
76451	235mm(9-1/4") x 60T x 30mm	16/20/25.4mm	25
76460	254mm(10") x 40T x 30mm	16/20/25.4mm	25
76461	254mm(10") x 60T x 30mm	16/20/25.4mm	25
76470	305mm(12") x 60T x 30mm	16/20/25.4mm	10

TCT SAW BLADE FOR ALUMINIUM

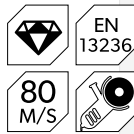
- Suitable for aluminium cutting
- Packing: double blister



STOCK NO.	SIZE	ADJUSTING WASHER	QTY./ CARTON
76540	210mm(8-1/4") x 60T x 30mm	16/20/25.4mm	50
76560	254mm(10") x 80T x 30mm	16/20/25.4mm	25
76570	305mm(12") x 100T x 30mm	16/20/25.4mm	10

DIAMOND CUTTING BLADE

- Blade width:10mm



STOCK NO.	SIZE	MAX. RPM	QTY./ CARTON
76700	100x16.0mm 4"x5/8"	15,300	100
76702	115x22.2mm 4-1/2"x7/8"	13,300	100
76703	125x22.2mm 5"x7/8"	12,250	100
76705	180x22.2mm 7"x7/8"	8,500	40
76707	230x22.2mm 9"x7/8"	6,650	20

DIAMOND CUTTING BLADE

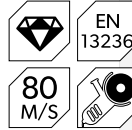
- Blade width:7.5mm



STOCK NO.	SIZE	MAX. RPM	QTY./ CARTON
76720	100x16.0mm 4"x5/8"	15,300	100
76722	115x22.2mm 4-1/2"x7/8"	13,300	100
76723	125x22.2mm 5"x7/8"	12,250	100
76725	180x22.2mm 7"x7/8"	8,500	40
76727	230x22.2mm 9"x7/8"	6,650	20

DIAMOND CUTTING BLADE

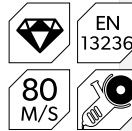
- Blade width:10mm



STOCK NO.	SIZE	MAX. RPM	QTY./ CARTON
76740	100x16.0mm 4"x5/8"	15,300	100
76742	115x22.2mm 4-1/2"x7/8"	13,300	100
76743	125x22.2mm 5"x7/8"	12,250	100
76745	180x22.2mm 7"x7/8"	8,500	40
76747	230x22.2mm 9"x7/8"	6,650	20

SEGMENTED TURBO CUP GRINDING WHEEL

- Blade size:20x5mm



STOCK NO.	SIZE	MAX. RPM	QTY./ CARTON
76680	100x22.2mm 4"x7/8"	15,300	20
76681	115x22.2mm 4-1/2"x7/8"	13,300	20
76682	125x22.2mm 5"x7/8"	12,250	20

5PCS MOUNTED STONES SET

- 3pcs brown aluminum oxide
- 1pc pink aluminum oxide
- 1pc white aluminum
- Packing: blister card



STOCK NO.	SIZE	MAX. RPM	QTY./ CARTON
77110	Ø6x27mm	23,000	100

CUP WIRE BRUSH WITH NUT

- Ideal for removing rust, paint and varnish from metal surfaces
- Wire dia:0.3mm
- Packing: color box



STOCK NO.	SIZE	THREAD	MAX. RPM	QTY./ CARTON
77581	75mm	M10x1.5	12,500	60
77501	75mm	M14x2	12,500	60
77503	100mm	M14x2	8,500	36
77504	125mm	M14x2	6,500	24
77561	3"	5/8"-11	12,500	60
77563	4"	5/8"-11	8,500	36
77564	5"	5/8"-11	6,500	24

CUP TWIST WIRE BRUSH WITH NUT

- Ideal for removing rust, paint and varnish from metal surfaces
- Wire dia:0.5mm
- Packing: color box



STOCK NO.	SIZE	THREAD	MAX. RPM	QTY./ CARTON
77587	75mm	M10x1.5	12,500	60
77507	75mm	M14x2	12,500	60
77509	100mm	M14x2	8,500	36
77510	125mm	M14x2	6,500	24
77567	3"	5/8"-11	12,500	60
77569	4"	5/8"-11	8,500	36
77570	5"	5/8"-11	6,500	24

CUP TWIST WIRE BRUSH WITH NUT (HEAVY DUTY)

- Ideal for removing rust, paint and varnish from metal surfaces
- Wire dia: 0.5mm
- Thread: M14x2
- Packing: color box



STOCK NO.	SIZE	MAX. RPM	QTY./ CARTON
77513	75mm	8,500	36
77515	100mm	8,500	18

CRIMPED WIRE BEVEL BRUSH

- Ideal for removing rust, paint and varnish from metal surfaces
- Wire dia:0.3mm
- Packing: color box



INDUSTRIAL



STOCK NO.	SIZE	THREAD	MAX. RPM	QTY./ CARTON
77597	100mm	M10x1.5	12,500	60
77517	100mm	M14x2	12,500	60

TWIST WIRE BEVEL BRUSH

- Ideal for removing rust, paint and varnish from metal surfaces
- Wire dia:0.5mm
- Thread:M14*2
- Packing: color box



INDUSTRIAL



STOCK NO.	SIZE	MAX. RPM	QTY./ CARTON
77520	100mm	12,500	60

CIRCULAR WIRE BRUSH

- Ideal for removing rust, paint and varnish from metal surfaces
- Wire dia:0.3mm
- Arbor size:22.2mm
- With rings: 13-16-19mm (1/2"-5/8"-3/4")
- Packing: color box



INDUSTRIAL



STOCK NO.	SIZE	MAX. RPM	QTY./ CARTON
77527	125mm	3,750	60

CIRCULAR GRINDING WIRE BRUSH

- Ideal for removing rust, paint and varnish from metal surfaces
- Wire dia:0.5mm
- Arbor size:22.2mm
- Packing: color box



INDUSTRIAL



STOCK NO.	SIZE	MAX. RPM	QTY./ CARTON
77533	125mm	12,500	60
77534	150mm	9,000	40
77535	180mm	9,000	24

CIRCULAR GRINDING WIRE BRUSH WITH SHANK

- Ideal for removing rust, paint and varnish from metal surfaces
- Wire dia:0.3mm
- Shank dia:6.35mm(1/4")
- Packing: blister card



INDUSTRIAL



STOCK NO.	SIZE	MAX. RPM	QTY./ CARTON
77540	50mm	4,500	80
77542	75mm	4,500	80
77543	100mm	4,500	72

WIRE END BRUSH WITH SHANK

- Ideal for removing rust, paint and varnish from metal surfaces
- Wire dia:0.3mm
- Shank dia:6.35mm(1/4")
- Packing: blister card



INDUSTRIAL



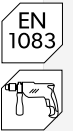
STOCK NO.	SIZE	MAX. RPM	QTY./ CARTON
77546	24mm	4,500	120

CUP BRUSH WITH SHANK

- Ideal for removing rust, paint and varnish surfaces
- Wire dia:0.3mm
- Shank dia:6.35mm(1/4")
- Packing: blister card



INDUSTRIAL



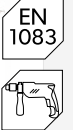
STOCK NO.	SIZE	MAX. RPM	QTY./ CARTON
77548	50mm	4,500	80
77550	75mm	4,500	80

5PCS WIRE BRUSHES SET

- 1" wire end brushes with shank
- 2"-3" circular grinding wire brush with shank
- 2"-3" cup brush with shank
- Wire dia:0.3mm
- Shank dia:6.35mm(1/4")
- Packing: blister card



INDUSTRIAL



STOCK NO.	SIZE	QTY./CARTON
77552	5PCS	24

PLASTIC BACKING PAD WITH VELCRO

- Material : PP + EVA
- With a shank
- Packing: poly bag with paper hanger



STOCK NO.	SIZE	THREAD	SHANK DIA.	QTY./ CARTON
77260	115mm	M14x2	8mm	100
77261	125mm	M14x2	8mm	100
77262	150mm	M14x2	8mm	60

ALUMINIUM OXIDE FLAP DISC (FIBRE BACKING) (TYPE 29)

- For steel and wood
- Packing: color label with color box



STOCK NO.	GRIT	SIZE	MAX. RPM	QTY./CARTON
77211	40#	115x22.2mm	13,300	160
77212	60#	115x22.2mm	13,300	160
77213	80#	115x22.2mm	13,300	160
77215	120#	115x22.2mm	13,300	160
77221	40#	125x22.2mm	12,250	160
77222	60#	125x22.2mm	12,250	160
77223	80#	125x22.2mm	12,250	160
77225	120#	125x22.2mm	12,250	160

ZIRCONIA OXIDE FLAP DISC (FIBRE BACKING) (TYPE 29)

- For stainless steel
- Packing: color label with color box



STOCK NO.	GRIT	SIZE	MAX. RPM	QTY./CARTON
77311	40#	115x22.2mm	13,300	160
77312	60#	115x22.2mm	13,300	160
77313	80#	115x22.2mm	13,300	160
77315	120#	115x22.2mm	13,300	160
77321	40#	125x22.2mm	12,250	160
77322	60#	125x22.2mm	12,250	160
77323	80#	125x22.2mm	12,250	160
77325	120#	125x22.2mm	12,250	160

12PCS CARBIDE ROUTER BITS SET

- 2 pcs bottom cleaning bit: 8, 16mm
- 1 pc core box bit: R6mm
- 1 pc 60 degree V grooving bit: 15mm
- 1 pc dovetail bit: 16mm
- 1 pc flush trim bit: 19mm
- 1 pc 45 degree chamfer bit: 27mm
- 2 pcs round over bit: R6, R10mm
- 2 pcs cove bit: R6, R10mm
- 1 pc roman ogee bit: R6.5mm
- Shank: 1/4"
- Packing: color box



STOCK NO.	SIZE	QTY./CARTON
75680		20

HOLE SAW

- Cutting depth: 38mm
- HSS M3 Bi-metal
- Variable teeth 4-6TPI
- Packing: color box



STOCK NO.	DIAMETER	QTY./CARTON
75714	14mm, 9/16"	100
75716	16mm, 5/8"	100
75717	17mm, 11/16"	100
75719	19mm, 3/4"	100
75720	20mm, 25/32"	100
75721	21mm, 13/16"	100
75722	22mm, 7/8"	100
75724	24mm, 15/16"	100
75725	25mm, 1"	100
75727	27mm, 1-1/16"	100
75729	29mm, 1-1/8"	100
75730	30mm, 1-3/16"	100
75732	32mm, 1-1/4"	100
75733	33mm, 1-5/16"	100
75735	35mm, 1-3/8"	100
75737	37mm, 1-7/16"	100
75738	38mm, 1-1/2"	100
75740	40mm, 1-9/16"	100
75741	41mm, 1-5/8"	100
75743	43mm, 1-11/16"	100
75744	44mm, 1-3/4"	100
75746	46mm, 1-13/16"	50
75748	48mm, 1-27/32"	50
75751	51mm, 2"	50
75752	52mm, 2-1/16"	50
75754	54mm, 2-1/8"	50
75757	57mm, 2-1/4"	50
75759	59mm, 2-5/16"	50
75760	60mm, 2-3/8"	50
75764	64mm, 2-1/2"	50
75765	65mm, 2-9/16"	50
75767	67mm, 2-5/8"	50
75768	68mm, 2-11/16"	50
75770	70mm, 2-3/4"	50
75773	73mm, 2-7/8"	50
75776	76mm, 3"	50
75779	79mm, 3-1/8"	50
75783	83mm, 3-1/4"	50
75786	86mm, 3-3/8"	50
75789	89mm, 3-1/2"	50
75792	92mm, 3-5/8"	50
75795	95mm, 3-3/4"	25
75798	98mm, 3-7/8"	25
75802	102mm, 4"	25
75805	105mm, 4-1/8"	25
75808	108mm, 4-1/4"	25
75811	111mm, 4-3/8"	25
75814	114mm, 4-1/2"	10
75821	121mm, 4-3/4"	10
75827	127mm, 5"	10
75833	133mm, 5-1/4"	10
75840	140mm, 5-1/2"	10
75846	146mm, 5-3/4"	10
75852	152mm, 6"	10
75858	200mm, 7-7/8"	6

9PCS BI-METAL HOLE SAW SET

- 6pcs hole saw: 3/4"(19mm), 7/8"(22mm), 1-1/8"(29mm), 1-1/2"(38mm), 1-3/4"(44mm), 2-1/4"(57mm)
- 2pcs Arbors: 3/8"(9.5mm) Hex shank arbor with HSS polid drill for 1/2"-1-3/16"(14-30mm) hole saw, 7/16"(11mm) Hex shank arbor with HSS polid drill for 1-1/4"-8-17/64"(32-210mm) hole saw
- 1pc adapter
- Packing: blow mould case



STOCK NO.	SIZE	QTY./CARTON
75861		10

11PCS HOLE SAW SET

- 8pcs hole saw: 3/4"(19mm), 7/8"(22mm), 1-1/8"(29mm), 1-1/4"(32mm), 1-1/2"(38mm), 1-3/4"(44mm), 2"(51mm), 2-1/2"(64mm)
- 2pcs arbors
- 1pc hex key wrench: 2.5mm
- Packing: blow mould case



STOCK NO.	SIZE	QTY./CARTON
75865		30

8PCS HOLE SAW SET

- 5pcs hole saw: 2-1/2"(64mm), 3"(76mm), 3-1/2"(89mm), 4"(102mm), 5"(127mm)
- 1pc arbor
- 1pc hex key wrench: 2.5mm
- 1pc driver plate
- Packing: blow mould case



STOCK NO.	SIZE	QTY./CARTON
75866		20

11PCS DIAMOND CORE DRILL SET

- 5pcs diamond core drill: Ø38mm x 170mm, Ø52mm x 170mm, Ø65mm x 170mm, Ø117mm x 170mm, Ø127mm x 170mm
- 1pc SDS+ adaptor: 115mm
- 1pc SDS+ extension adaptor: 240mm
- 1pc Hex adaptor: 12 x 88mm
- 1pc Hex extension adaptor: 12 x 240mm
- 1pc Centre drill: 10 x 200mm
- 1pc Drift key: 6 x 50mm
- Packing: blow mould case with color sleeve



STOCK NO.	SIZE	QTY./CARTON
75881		2

7PCS HOLE SAW SET

- Hole saw diameter: 26, 32, 38, 45, 50, 56, 63mm
- Packing: double blister



STOCK NO.	HEIGHT	QTY./CARTON
75869	25mm, 1"	60
75870	50mm, 2"	60

ARBOR FOR HOLE SAW

- M2 HSS twist drill bit with 135° split point, 1/4"x75mm
- Packing: double blister



STOCK NO.	SHANK SIZE	FIT HOLE SAW	QTY./CARTON
75700	3/8"	14-30mm	50

ARBOR FOR HOLE SAW

- M2 HSS twist drill bit with 135° split point, 1/4"x75mm
- Packing: double blister



STOCK NO.	SHANK SIZE	FIT HOLE SAW	QTY./CARTON
75701	7/16"	32-152mm	50

SDS-PLUS ARBOR FOR HOLE SAW

- M2 HSS twist drill bit with 135° split point, 1/4"x75mm
- Packing: double blister



STOCK NO.	FIT HOLE SAW	QTY./CARTON
75702	14-30mm	50

SDS-PLUS ARBOR FOR HOLE SAW

- M2 HSS twist drill bit with 135° split point, 1/4"x75mm
- Packing: double blister



STOCK NO.	FIT HOLE SAW	QTY./CARTON
75703	32-152mm	50

3PCS LOCK INSTALLATION HOLE SAW SET

- 1pc flat wood bit: 7/8"x6" (22.2x152mm), with 1/4" quick release hex shank
- 1pc hole saw, diameter: 2-1/8" (54mm)
- 1pc arbor for hole saw
- Packing: double blister



STOCK NO.	QTY./CARTON
75868	60

INDUSTRIAL



5PCS JIG SAW BLADE SET

- T111C
- T-Shank
- Material: HCS
- 8TPI
- Quick cutting for wood, chipboards, plywood, fibre boards, plastic
- Packing: sandwich paper card



x5

STOCK NO.	TOTAL LENGTH	QTY./CARTON
76801	100mm	200

5PCS JIG SAW BLADE SET

- T144D
- T-Shank
- Material: HCS
- 6TPI
- Fast straight cutting for wood, chipboards, plywood, fibre boards, plastic
- Packing: sandwich paper card



x5

STOCK NO.	TOTAL LENGTH	QTY./CARTON
76802	100mm	200

5PCS JIG SAW BLADE SET

- T244D
- T-Shank
- Material: HCS
- 6TPI
- Fast curved cutting for wood, chipboards, plywood, fibre boards, plastic
- Packing: sandwich paper card



x5

STOCK NO.	TOTAL LENGTH	QTY./CARTON
76803	100mm	200

5PCS JIG SAW BLADE SET

- T101B
- T-Shank
- Material: HCS
- 10TPI
- Fast clean and precise cutting for wood, chipboards, plywood, fibre boards, plastic
- Packing: sandwich paper card



x5

STOCK NO.	TOTAL LENGTH	QTY./CARTON
76804	100mm	200

5PCS JIGSAW BLADES SET

- T101BR
- T-Shank
- Material: HCS
- 10TPI
- Quick cutting for wood, chipboards, plywood, fibre boards, plastic
- Packing: sandwich paper card



x5

STOCK NO.	TOTAL LENGTH	QTY./CARTON
76805	100mm	200

5PCS JIGSAW BLADES SET

- T101D
- T-Shank
- Material: HCS
- 6TPI
- Quick cutting for wood, chipboards, plywood, fibre boards, plastic
- Packing: sandwich paper card



x5

STOCK NO.	TOTAL LENGTH	QTY./CARTON
76806	100mm	200

5PCS JIGSAW BLADES SET

- T118A
- T-Shank
- Material: HSS
- 21TPI
- Straight cutting for thin metal non-ferrous metal and aluminium
- Packing: sandwich paper card



x5

STOCK NO.	TOTAL LENGTH	QTY./CARTON
76811	75mm	200

5PCS JIGSAW BLADES SET

- T118B
- T-Shank
- Material: HSS
- 12TPI
- Straight cutting for thicker metal non-ferrous metal and aluminium
- Packing: sandwich paper card



x5

STOCK NO.	TOTAL LENGTH	QTY./CARTON
76812	75mm	200

TOLSEN **FX** FORCE XPRESS

UNLEASH THE POWER WITHIN





POWER TOOLS

CORDLESS SCREWDRIVER

- Voltage: 4.8V
- Power: Ni-cd, 800mah
- No-load speed: 150rpm
- Torque: ≥2.5Nm
- Chuck: 1/4"(6.35Mm)
- Adaptor: 230V, 50/60Hz, Europlug
- Charge time: 3-5 hours
- Switch: forward & reverse
- Led battery indicator: 3 level battery power indicator keeps the user update of the most current battery condition
- 18pcs 25mm screwdriver bits: Philips: PH0,PH1,PH2,PH2,PH3 Pozidriv: pz0,pz2,pz3 Slot: 3,3,4,4,5 Hex: H1,5,H4 Torx: T8,T10,T15,T20
- 2pcs 50mm screwdriver bits: Philips:PH2 Slot: 4
- 3pcs hss drill bits: 2,2.5,3
- 1pc 60mm magnetic bit holder
- Packing: double blister

COMFORTABLE TO USE AND FITS IN TIGHT SPACES



4.8V

STOCK NO.	SIZE	QTY./CARTON
79011	4.8V	12

LI-ION CORDLESS DRILL

- Voltage: DC 10.8V
- Power: Li-ion, 1x1300mAh
- No-load speed: 0-550rpm
- Clutch: 19+1 setting rings
- Torque: ≥15Nm
- Chuck: 10mm keyless chuck
- Switch: forward & reverse
- Charger: AC 100-240V, 50-60Hz, Europlug
- Charge time: 3-5hours
- 3 lever LED battery power indicator and one power Light
- Soft grip handle
- CE/GS/EMC
- Packing: color box



STOCK NO.	SIZE	QTY./CARTON
79013	10.8V	6

LI-ION BATTERY PACK

- Voltage: DC 10.8V
- Power: Li-ion, 1300mAh
- Suitable for TOLSEN 79013



STOCK NO.	SIZE	QTY./CARTON
79014		36

LI-ION CORDLESS DRILL

- Voltage: DC 14.4V
- Power: Li-ion, 1300mAh, 2pcs
- No-load speed: 0-350/0-1250rpm
- Clutch: 25+1 setting rings
- Torque: ≥22Nm
- Chuck: 10mm keyless chuck
- Switch: forward & reverse
- Charger: AC 100-240V, 50-60Hz, Europlug
- Charge time: 1hour fast charger
- Motor brake
- 3 lever LED battery power indicator and one power Light
- Soft grip handle
- CE/GS/EMC
- Including 13pcs accessories
6pcs twist drill bits : 1.5, 2.5, 3.0, 4.0, 5.0, 6.0mm
6pcs 25mm bits : 5mm,6mm,PH1,PH2,PZ1,PZ2
1pc screwdriver bit holder 1/4"x60mm with strong magnetic
- Packing: blow mould case



STOCK NO.	SIZE	QTY./CARTON
79016	14.4V	4

LI-ION BATTERY PACK

- Voltage: DC 14.4V
- Power: Li-ion, 1300mAh
- Suitable for TOLSEN 79016



STOCK NO.	SIZE	QTY./CARTON
79017		20

LI-ION CORDLESS DRILL WITH HAMMER FUNCTION

- Voltage: DC 20V
- Power: Li-ion 2 x 2000mAh
- No-load speed: 0-400/0-1400rpm
- Clutch: 19+1 setting rings
- Max Torque: 45 N.m
- Chuck: Ø 13 mm keyless chuck
- Switch: forward & reverse
- Charger: AC 100-240V, Europlug
- Charging time: 1Hour
- Two batteries included
- With hammer function
- Motor brake
- 3 lever LED battery power indicator and one power light
- Soft grip handle
- CE/GS/EMC
- Packing: blow mould case with color box

INDUSTRIAL



STOCK NO.	SIZE	QTY./CARTON
79019	20V	4

HAMMER DRILL

- GS approved
- Rated Voltage: 220-240V
- Frequency: 50/60Hz
- No load speed: 0-2900rpm
- With drill / hammer switch
- Impact frequency: 0-46400bpm
- Chuck: Ø13mm
- Max in steel: 13mm
- Max in concrete: 13mm
- Max in wood: 25mm
- Plug & cable: VDE approved
- Accessories contain:
 - 1pc side handle
 - 1pc 13mm key chuck
 - 1pc depth gauge (plastic)
- Packing: color box

NEW



STOCK NO.	SIZE	QTY./CARTON
79501	500W	6
79502	710W	6

HAMMER DRILL

- GS approved
- Rated Voltage: 230-240V
- Frequency: 50/60Hz
- Input power: 850W
- No load speed: 0-2900rpm
- With drill / hammer switch
- Impact frequency: 0-46400bpm
- Chuck: Ø13mm
- Max in steel: 13mm
- Max in concrete: 16mm
- Max in wood: 25mm
- Plug & cable :VDE approved
- Accessories contain:
 - 1pc side handle
 - 1pc 13mm key chuck
 - 1pc depth gauge (plastic)
- Packing: color box

INDUSTRIAL

NEW



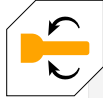
STOCK NO.	SIZE	QTY./CARTON
79503	850W	6

ROTARY HAMMER

- GS approved
- Rated voltage: 220V~240V
- Frequency: 50Hz
- Input power: 800W
- No load speed: 1100rpm/min
- Impact rate: 4000bpm
- Impact force: 3.0J
- Max in steel: 13 mm
- Max in concrete: 26mm
- Max in wood: 30mm
- Chuck type: SDS-PLUS
- Accessories:
 - 2pcs chisels
 - 3pcs hammer drills
 - 1pc auxiliary handle
 - 1pair carbon brush
 - 1pc depth gauge
- Packing: blow mould case with color box

INDUSTRIAL

NEW



STOCK NO.	SIZE	QTY./CARTON
79511	800W	5

ROTARY HAMMER

- GS approved
- Rated voltage: 230V
- Frequency: 50Hz
- Input power: 1100W
- No load speed: 900rpm/min
- Impact rate: 4300bpm
- Impact force: 5.0J
- Max in steel: 13mm
- Max in concrete: 28mm
- Max in wood: 42mm
- Chuck type: SDS-PLUS
- Accessories:
 - 2pcs chisel
 - 3pcs hammer drills
 - 1pc auxiliary handle
 - 1pair carbon brush
 - 1pc dust cover
 - 1pc grease tube
 - 1pc wrench
 - 1pc depth gauge
- Packing: blow mould case with color box

INDUSTRIAL

NEW



STOCK NO.	SIZE	QTY./CARTON
79512	1100W	2

ROTARY HAMMER

- GS approved
- Rated voltage: 230V
- Frequency: 50Hz
- Input power: 1500W
- No load speed: 850rpm/min
- Impact rate: 4150bpm
- Impact force: 5.5J
- Max in steel: 13mm
- Max in concrete: 32mm
- Max in wood: 42mm
- Chuck type: SDS-PLUS
- Accessories:
 - 2pcs chisel
 - 3pcs hammer drills
 - 1pc auxiliary handle
 - 1pair carbon brush
 - 1pc dust cover
 - 1pc grease tube
 - 1pc wrench
 - 1pc depth gauge
- Packing: blow mould case with color box

INDUSTRIAL

NEW



STOCK NO.	SIZE	QTY./CARTON
79513	1500W	2

ANGLE GRINDER

- CE approved
- Input Power: 950W
- Rated Voltage: 220-230V
- Frequency: 50Hz
- Disc Diameter: 125mm
- No Load Speed: 11000r/min
- Accessories contain:
 - 1 pair carbon brush
 - 1pc side handle
 - 1pc wrench
 - 1pc wheel guard
 - 1pc instruction manual
- Packing: color box

INDUSTRIAL

NEW



STOCK NO.	SIZE	QTY./CARTON
79521	950W	6

ANGLE GRINDER

- CE approved
- Input Power: 2400W
- Rated Voltage: 220-230V
- Frequency: 50Hz
- Disc Diameter: 230mm
- No Load Speed: 6000r/min
- Soft start
- Reverse self-locking
- Accessories contain:
 - 1 pair Carbon brush
 - 1pc side handle
 - 1pc wrench
 - 1pc wheel guard
 - 1pc instruction manual
- Packing: color box

NEW



STOCK NO.	SIZE	QTY./CARTON
79522	2400W	2

CIRCULAR SAW

- GS approved
- Rated voltage: 230-240V
- Frequency: 50Hz
- Input power: 1200W
- No load speed: 5500rpm
- Blade diameter: 185mm
- Sawing capacity in wood:
 - 62mm@90°, 46mm@45°
- Accessories contain:
 - 1pc hex key wrench
 - 1pc TCT saw blade for wood working
 - 1pc parallel guide
- Packing: color box

INDUSTRIAL

NEW



STOCK NO.	SIZE	QTY./CARTON
79531	1200W	6

JIG SAW

- GS approved
- Rated voltage: 230-240V
- Frequency: 50Hz
- Input power: 800W
- Cutting speed: 800-3200rpm
- Stroke Length: 20mm
- Max in steel: 8mm
- Max in wood: 80mm
- Footplate tilt: 0-45°, left or right
- Plug & cable: VDE approved
- Blade type: T-shank
- Accessories contain:
 - 1pc dust adapter
 - 1pc hex key
 - 1pc blade for wood
 - 1pc parallel guide
- Packing: color box

NEW



BUILT-IN LASER FOR MORE ACCURATE CUTS

LASER



STOCK NO.	SIZE	QTY./CARTON
79551	800W	6

CUT-OFF SAW

- Rated voltage: 220-240V
- Frequency: 50/60Hz
- Input power: 2500W
- No load speed: 0-3700rpm
- Cutting capacity: Ø110mm@90°, Ø90mm@45°
- Blade size: 355mm
- Bore size: 25,4mm
- Accessories contain:
 - 1pc wrench
 - 1pc cutting-off wheel
 - 1 pair carbon brush
- Packing: color box

NEW



STOCK NO.	SIZE	QTY./CARTON
79538	2500W	6

INDUSTRIAL

HAMMER DRILL

- UL approved
- Rated Voltage: AC120V
- Frequency: 60Hz
- Rated current: 6A
- No load speed: 0-2800rpm
- With drill / hammer switch
- Impact frequency: 0-44800bpm
- Chuck: Ø 1/2"
- Max in steel: 1/2"
- Max in concrete: 1/2"
- Max in wood: 1"
- Plug & cable :UL approved
- Accessories contain
 - 1pc side handle
 - 1pc 1/2" key chuck
 - 1pc depth gauge (plastic)
- Packing: color box



STOCK NO.	SIZE	QTY./CARTON
79701	6Amp	6

ELECTRIC DRILL

- UL approved
- Rated Voltage: AC120V
- Frequency: 60HZ
- Rated current: 4.6A
- No load speed: 0-3000rpm
- Chuck: Ø3/8"
- Max in steel: 3/8"
- Max in wood: 1"
- Plug & cable: UL approved
- Accessories contain 1pc 3/8" Key chuck
- Packing: color box



120V



STOCK NO.	SIZE	QTY./CARTON
79711	4.6Amp	6

KEY CHUCK

- Packing: color box



STOCK NO.	CHUCK CAPACITY	CONNECTION SIZE	QTY./CARTON
79160	1.5-10mm	3/8"-24UNF	50
79161	1.5-13mm	1/2"-20UNF	40

KEYLESS DRILL CHUCK

- Packing: color box



STOCK NO.	CHUCK CAPACITY	CONNECTION SIZE	QTY./CARTON
79170	0.8-10mm	3/8"-24UNF	50
79171	2-13mm	1/2"-20UNF	40

CHUCK KEY

- Packing: double blister



STOCK NO.	SIZE	QTY./CARTON
79180	10mm	100
79181	13mm	100
79182	16mm	80

ANGLE GRINDER

- ETL approved
- Rated Voltage: AC120V
- Frequency: 60Hz
- Rated current: 6.5A
- No load speed: 11000rpm
- Plug & cable: UL approved
- Accessories contain: 1 pair carbon brush, 1pc side handle, 1pc wrench, 1pc wheel guard
- Packing: color box



120V



STOCK NO.	SIZE	QTY./CARTON
79721	6.5Amp	6

CIRCULAR SAW

- ETL approved
- Rated Voltage: AC120V
- Frequency: 60Hz
- Rated current: 12A
- Blade size: 7-1/4"
- No load speed: 5500rpm
- Switch: with lock-off switch
- Max. cutting depth: 2-1/2" @90° / 1-5/8" @45°
- Plug & cable: UL approved
- Power-on indicator
- Soft grip handle
- Extra D auxiliary handle
- Aluminium diecast guard
- 0-45° bevelling range
- Spindle lock for saw blade replacement
- With built-in Laser
- Accessories contain:
 - 1pc Hex key wrench
 - 1pc TCT saw blade for wood working
 - 1pc parallel guide
 - 1pair carbon brush
- Packing: color box

INDUSTRIAL

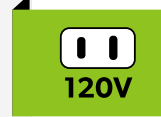
RECIPROCATING SAW

- ETL approved
- Rated Voltage: AC120V
- Frequency: 60Hz
- Rated current: 9A
- No load speed: 0-2500rpm
- With self-locking switch
- Max. cutting depth in wood: 6"
- Max. cutting depth in steel: 3/16"
- Stroke Length: 1-1/8"
- Plug & cable: UL approved
- Quick blade releasing system
- Power-on indicator
- Soft grip on front head and handle
- Accessories contain:
 - 1pc Metal-cutting saw blade
 - 1pc Wood-cutting saw blade
 - 1pc Hex key wrench
 - 1pair carbon brush
- Packing: color box

INDUSTRIAL

RANDOM ORBITAL SANDER

- ETL approved
- Rated Voltage: AC120V
- Frequency: 60Hz
- Rated current: 2A
- Orbital frequency: 12000opm
- Pad size: 5"
- Paper mounting: velcro
- Plug & cable: UL approved
- Accessories contain:
 - 3pcs sanding paper
 - 1pc dust box
- Packing: color box



BUILT-IN LASER FOR MORE ACCURATE CUTS
LASER



STOCK NO.	SIZE	QTY./CARTON
79731	12Amp	4

STOCK NO.	SIZE	QTY./CARTON
79741	9Amp	4

STOCK NO.	SIZE	QTY./CARTON
79761	2Amp	6

1/4" SHEET SANDER

- ETL approved
- Rated Voltage: AC120V
- Frequency: 60Hz
- Rated current: 2A
- Orbital frequency: 13000opm
- Pad size: 4"x4-1/2"
- Paper mounting: clamp
- Plug & cable: UL approved
- Accessories contain:
 - 3pcs sanding paper
 - 1pc dust box
 - 1pc puncher
- Packing: color box



STOCK NO.	SIZE	QTY./CARTON
79762	2Amp	6

HOT AIR GUN

- Approved by TUV/GS, CE+EMC
- Rated voltage: 230V~50Hz
- 2 adjustable temperature ranges
 - range 1 = 1000W, 300L/min at 350°C
 - range 2 = 2000W, 500L/min at 550°C
- Including wide range of accessories
 - 1 pc pointed nozzle
 - 1 pc reversing nozzle
 - 1 pc wide angle nozzle
 - 1 pc edge protection nozzle
- Packing: color box



STOCK NO.	SIZE	QTY./CARTON
79100	2000W	10

HOT AIR GUN

- ETL approved
- Rated Voltage: 120V
- Frequency: 60Hz
- Rated current: 12.5A (1500W)
- Temperature I/II: 572°F(300°C) / 1112°F(500°C)
- Air Flow I/II: 280 / 480 L/min
- Plug & cable: UL approved
- Including wide range of accessories:
 - 1 pc pointed nozzle
 - 1 pc reversing nozzle
 - 1 pc wide angle nozzle
 - 1 pc edge protection nozzle
- Packing: color box



STOCK NO.	SIZE	QTY./CARTON
79791	12.5A (1500W)	10

BLOWER

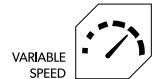
- Rated voltage: 230V~50Hz
- Input power: 400W
- No-load speed: 13000rpm
- Max blowing rate: 3.0m³/min
- With 1pc dust bag
- 2 tools in 1: blower and vacuum cleaner
- Packing: color box



STOCK NO.	SIZE	QTY./CARTON
79604	400W	4

BLOWER

- Rated voltage: 230V~50Hz
- Input power: 600W
- No-load speed: 0-16000rpm
- Max blowing rate: 0-3.5m³/min
- Variable speed
- With 1pc dust bag
- 2 tools in 1: blower and vacuum cleaner
- Packing: color box



STOCK NO.	SIZE	QTY./CARTON
79606	600W	4

INDUSTRIAL



TOOL BAG & STORAGE

PLASTIC TOOL BOX

- Separately PP box
- Net weight: 670g



STOCK NO.	SIZE	QTY./CARTON
80190	340x180x130mm	12

HEAVY DUTY PLASTIC TOOL BOX

- Separately PP box
- Net weight: 1.5kgs



STOCK NO.	SIZE	QTY./CARTON
80201	420x230x190mm	9

TOOL BOX

- Steel thickness:0.6~0.8mm
- Net weight: 3.3kgs/7.3lbs
- 3 layers



STOCK NO.	SIZE	QTY./CARTON
80211	404x200x205mm	1

TOOL BOX

- Steel thickness:0.6~0.8mm
- Net weight: 5.1kgs/11.2lbs
- 3 layers



STOCK NO.	SIZE	QTY./CARTON
80212	495x200x290mm	1

TOOL BAG

- Rigid frame for easy opening and access
- Special partition of the internal and external pockets, easy access to the tool compartment
- Adjustable shoulder strap included
- Light weight fabric box
- Packing: poly bag with paper card



PRODUCTS NOT INCLUDED

STOCK NO.	SIZE	QTY./CARTON
80101	17"	10

TOOL BAG

- Special partition of the internal and external pockets, easy access to the tool compartment
- Stainless handle
- Adjustable shoulder strap included
- Special double bottom design
- Closing flap
- Light weight fabric box
- Packing: poly bag with paper card



PRODUCTS NOT INCLUDED

STOCK NO.	SIZE	QTY./CARTON
80102	17"	4

TOOL BAG

- Rigid frame for easy opening and access
- Reinforced plastic base for durability
- Special partition of the internal and external pockets, easy access to the tool compartment
- Adjustable shoulder strap included
- Packing: poly bag with paper card

INDUSTRIAL



PRODUCTS NOT INCLUDED

STOCK NO.	SIZE	QTY./CARTON
80103	16"	6

TOOL BAG

- Foldable construction
- With 8 interior holders
- With 15 pockets
- Stainless steel tube, foam rubber handle
- Adjustable shoulder strap
- Packing: paper hanger with poly bag

INDUSTRIAL

NEW



PRODUCTS NOT INCLUDED

STOCK NO.	SIZE	QTY./CARTON
80112	17" (42x21x29cm)	10

TOOL POUCH

- With 11 pockets
- 1pc hammer loop
- 1pc measuring tape clasp
- Adjustable strap
- Packing: paper hanger with poly bag

INDUSTRIAL



PRODUCTS NOT INCLUDED

STOCK NO.	SIZE	QTY./CARTON
80120		20

BACKPACK

- Material: nylon
- Capacity: 38.4L
- Weight: 1.12Kg
- Usage: daily
- Style: professional
- Feature: light weight waterproof
- Function: hiking outdoor trekking sport traveling



STOCK NO.	SIZE	QTY./CARTON
90009	32cm x 25cm x 48cm	4

7 DRAWER ROLLER CABINET

- Overall size: 765x465x976mm
- PP material work table with TRP handle
- Fitted with two fixed and two braked swivelling castors 5" x 1.88"
- Drawers are fitted with EVA foam liner and ball bearing runners for smooth operation & long time
- Secure intergral locking system supplied with two keys
- Configuration:
3 full width drawers: 536x410x74.5mm
2 full width drawers: 536x410x153.5mm
• Net.: 54KG
- Packing: master carton

NEW

INDUSTRIAL



STOCK NO.	SIZE	QTY./CARTON
80307	765x465x976mm	1

THREE TRAY TOOL CART

- Overall with caster :840x410x780mm
- Trays:740x390x90mm
- Packing: drawing box



STOCK NO.	OVERALL SIZE	QTY./CARTON
80221	840x410x660mm	1

GALVANIZED METAL STORAGE SHELF

- Each layer can be loading 50kgs



STOCK NO.	SIZE	QTY./CARTON
83070	4 layers 70x30x137cm	1
83071	5 layers 86x30x167cm	1

HEAVY DUTY GALVANIZED METAL STORAGE SHELF

- Each layer can be loading 90kgs



HEAVY DUTY

STOCK NO.	SIZE	QTY./CARTON
83072	5 layers 90x45x150cm	1

DISPLAY STAND

- With light box
- Not include products and hooks



STOCK NO.	SIZE	QTY./CARTON
83037	1000x2300mm	1

DISPLAY STAND

- Without light box
- Not include products and hooks



STOCK NO.	SIZE	QTY./CARTON
83062	1000x1910mm	1

T5 LED TUBE LAMP

- CE approved
- 230V, 50HZ, 14W
- With 84pcs SMD
- Brightness: 1300 Lumens
- Color temperature: 5000K
- VDE wire line: 1.83m, 2x0.75mm²
- VDE EU PLUG
- Packing: white box



STOCK NO.	SIZE	QTY./CARTON
83013	905x22x31mm	20

DUAL LONG HOOK

- Chrome plated
- 50pcs packed in one drawing box



x50

STOCK NO.	SIZE	QTY./CARTON
83021	200mm	5BOXES

SINGLE LONG HOOK

- Chrome plated
- 50pcs packed in one drawing box



x50

STOCK NO.	SIZE	QTY./CARTON
83024	200mm	8BOXES

PDQ

- Capacity: 45kgs / 100LBS



STOCK NO.	SIZE	QTY./CARTON
83090	22" x 22" x (40"+12")	5

TOLSEN



NON SPARKING TOOLS



The TOLSEN non-sparking tools are specially designed for safe operations in environments subject to potential risk of explosion, in the presence of flammable liquids or gases, or for any applications that require using perfectly antimagnetic, corrosion-resistant tools.



The TOLSEN non-sparking tools can be used in a wide variety of fields, such as:

- Mining
- Petrol and gas extraction (off-shore and on-shore)
- Refineries, petrochemicals
- Pipeline maintenance
- Energy production and transport (gas, electricity, etc.)
- Naval shipyards
- Aeronautical transport, airports
- Paint manufacture
- Manufacture of explosives & flammable products
- Arsenals, munitions and explosive products storage
- Applications requiring demagnetised tools (metal shavings, - etc.)
- Farming - Grain silos
- ...

CLASSIFICATION OF AREAS SUBJECT TO EXPLOSION RISK

ATEX	HIGH	MEDIUM-LOW	EXTREMELY LOW
GASES	<p>ZONE 0</p> <p>AN area in which an explosive atmosphere consisting of a mixture of air and flammable substances in the form of gas, vapour or mist is continuously present or present for long periods or frequently</p>	<p>ZONE 1</p> <p>AN area in which an explosive atmosphere consisting of a mixture of air and flammable substances in the form of gas, vapour or mist is likely to occur in normal operation</p>	<p>ZONE 2</p> <p>AN area in which an explosive atmosphere consisting of a mixture of air and flammable substances in the form of gas, vapour or mist is not likely to occur in normal operation but if it does occur, will persist for a short period only</p>
DUSTS	<p>ZONE 20</p> <p>AN area in which an explosive atmosphere in the form of a cloud of combustible dust in air is continuously present or present for long periods or frequently</p>	<p>ZONE 21</p> <p>AN area in which an explosive atmosphere in the form of a cloud of combustible dust in air is likely to occur in normal operation occasionally.</p>	<p>ZONE 22</p> <p>AN area in which an explosive atmosphere in the form of a cloud of combustible dust in air is not likely to occur in normal operation but, if it does occur, will persist for a short period only.</p>

NON SPARKING 1/2" DRIVE SOCKETS (SIX POINT)

- In accordance to DIN 3124 / ISO 2725-1
- Internal square in accordance to DIN 3120 / ISO 1174 with ball reception
- Non-sparking
- Explosion proof
- Corrosion resistant
- Wear resistant
- Aluminium-Bronze (Non-Ferrous Alloy)
- Packing: color box



INDUSTRIAL

STOCK NO.	SIZE	LENGTH	Al-Cu
70108	8mm	40mm	64g
70110	10mm	40mm	67g
70111	11mm	40mm	66g
70112	12mm	40mm	64g
70113	13mm	40mm	75g
70114	14mm	40mm	80g
70115	15mm	40mm	86g
70116	16mm	40mm	82g
70117	17mm	40mm	72g
70118	18mm	40mm	117g
70119	19mm	40mm	105g
70120	20mm	40mm	125g
70121	21mm	40mm	126g
70122	22mm	40mm	135g
70123	23mm	40mm	146g
70124	24mm	40mm	142g
70125	25mm	40mm	157g
70126	26mm	40mm	174g
70127	27mm	40mm	174g
70128	28mm	40mm	210g
70129	29mm	40mm	212g
70130	30mm	40mm	231g
70131	31mm	42mm	243g
70132	32mm	42mm	272g

NON SPARKING 1/2" REVERSIBLE RATCHET WRENCH

- In accordance to DIN 3122 / ISO 3315
- Square drive in accordance to DIN 3120 / ISO 1174 with ball lock
- Reversible
- Gearing with 45 teeth
- Non-sparking
- Explosion proof
- Corrosion resistant
- Very breakage resistant
- Aluminium-Bronze (Non-Ferrous-Alloy)
- Packing: color box



INDUSTRIAL

STOCK NO.	SIZE	LENGTH	Al-Cu
70140	1/2"	250mm	615g

NON SPARKING 1/2" SLIDING BAR

- In accordance to DIN 3122 / ISO 3315
- Square drive in accordance to DIN 3120 / ISO 1174 with ball lock
- Non-sparking
- Explosion proof
- Corrosion resistant
- Very breakage resistant
- Aluminium-Bronze (Non-Ferrous-Alloy)
- Packing: color box



INDUSTRIAL

STOCK NO.	SIZE	LENGTH	Al-Cu
70145	1/2"	250mm	310g

NON SPARKING UNIVERSAL JOINT

- In accordance to DIN 3123 / ISO 3316
- Square drive in accordance to DIN 3120 / ISO 1174 with ball reception
- Internal square in accordance to DIN 3120 / ISO 1174 with ball reception
- Non-sparking
- Explosion proof
- Corrosion resistant
- Very breakage resistant
- Aluminium-Bronze (Non-Ferrous-Alloy)
- Packing: color box



INDUSTRIAL

STOCK NO.	SIZE	LENGTH	Al-Cu
70151	1/2"	75mm	170g
70152	3/4"	100mm	480g
70153	1"	135mm	900g

NON SPARKING DRIVER EXTENSION

- In accordance to DIN 3123 / ISO 3316
- Square drive in accordance to DIN 3120 / ISO 1174 with ball reception
- Internal square in accordance to DIN 3120 / ISO 1174 with ball reception
- Non-sparking
- Explosion proof
- Corrosion resistant
- Very breakage resistant
- Aluminium-Bronze (Non-Ferrous-Alloy)
- Packing: color box



INDUSTRIAL

STOCK NO.	SIZE	LENGTH	Al-Cu
70161	1/2"	125mm	230g
70162	1/2"	250mm	330g

NON SPARKING 17PCS 1/2" DR SOCKET SET

- Sockets: 10, 11, 12, 14, 17, 19, 22, 24, 27, 30 32mm
- Ratchet Wrench 1/2" x 250mm.
- Sliding T-Handle 1/2" x 250mm
- Speed handle 1/2" x 400mm
- Driver Extension 1/2" x 125mm & 1/2" x 250mm
- Non-sparking
- Explosion proof
- Corrosion resistant
- Very breakage resistant
- Aluminium-Bronze (Non-Ferrous-Alloy)



INDUSTRIAL

STOCK NO.	SIZE
70024	1/2"

NON SPARKING COMBINATION SPANNER

- In accordance to DIN 3113 Form A / ISO 3318 / ISO 7738
- Non-sparking
- Explosion proof
- Corrosion resistant
- Wear resistant
- Aluminium-Bronze (Non-Ferrous-Alloy)
- Packing: color box



INDUSTRIAL

STOCK NO.	SIZE	LENGTH	Al-Cu
70200	6mm	120mm	29g
70201	7mm	120mm	31g
70202	8mm	120mm	25g
70203	9mm	135mm	38g
70204	10mm	135mm	40g
70205	11mm	150mm	61g
70206	12mm	150mm	63g
70207	13mm	175mm	98g
70208	14mm	175mm	88g
70209	15mm	190mm	118g
70210	16mm	190mm	113g
70211	17mm	190mm	110g
70212	18mm	215mm	158g
70213	19mm	215mm	164g
70214	20mm	245mm	242g
70215	21mm	245mm	240g
70216	22mm	245mm	229g
70217	23mm	265mm	298g
70218	24mm	265mm	276g
70219	25mm	265mm	279g
70220	26mm	290mm	427g
70221	27mm	290mm	423g
70222	28mm	290mm	417g
70223	29mm	320mm	541g
70224	30mm	320mm	513g
70225	31mm	340mm	701g
70226	32mm	340mm	684g

NON SPARKING DOUBLE OPEN ENDED SPANNER

- In accordance to DIN 895 / ISO 3318 / ISO 1085
- Non-sparking
- Explosion proof
- Corrosion resistant
- Wear resistant
- Aluminium-Bronze (Non-Ferrous-Alloy)
- Packed by color box



STOCK NO.	SIZE	LENGTH	Al-Cu
70230	6x7mm	92mm	22g
70231	8x9mm	98mm	33g
70232	10x11mm	115mm	47g
70233	12x13mm	128mm	67g
70234	14x15mm	150mm	95g
70235	16x17mm	165mm	110g
70236	18x19mm	165mm	112g
70237	20x22mm	185mm	146g
70238	21x23mm	210mm	223g
70239	24x27mm	230mm	294g
70240	25x28mm	230mm	302g
70241	30x32mm	260mm	482g

NON SPARKING DOUBLE RING SPANNER OFFSET

- In accordance to DIN 895 / ISO 3318 / ISO 1085
- Non-sparking
- Explosion proof
- Corrosion resistant
- Wear resistant
- Aluminium-Bronze (Non-Ferrous-Alloy)
- Packed by color box



STOCK NO.	SIZE	LENGTH	Al-Cu
70250	6x7mm	120mm	32g
70251	8x9mm	130mm	46g
70252	10x11mm	160mm	75g
70253	12x13mm	180mm	99g
70254	14x15mm	220mm	142g
70255	16x17mm	250mm	211g
70256	18x19mm	250mm	208g
70257	20x22mm	280mm	283g
70258	21x23mm	310mm	348g
70259	24x27mm	340mm	487g
70260	25x28mm	340mm	468g
70261	30x32mm	380mm	677g

NON SPARKING ADJUSTABLE WRENCH

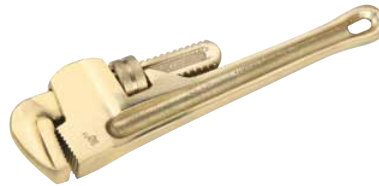
- Non-sparking
- Explosion proof
- Corrosion resistant
- Very breakage resistant
- Aluminium-Bronze (Non-Ferrous-Alloy)
- Packing: color box



STOCK NO.	SIZE	Al-Cu
70302	150mm, 6"	134g
70303	220mm, 8"	231g
70304	250mm, 10"	358g
70305	300mm, 12"	671g
70306	375mm, 15"	1262g
70307	450mm, 18"	1768g
70308	60mm, 24"	3950g

NON SPARKING PIPE WRENCH

- Non-sparking
- Explosion proof
- Corrosion resistant
- Wear resistant
- Aluminium-Bronze (Non-Ferrous-Alloy)
- Packing: color box



STOCK NO.	SIZE	Al-Cu
70311	200mm, 8"	404g
70312	250mm, 10"	714g
70313	300mm, 12"	955g
70314	350mm, 14"	1365g
70315	450mm, 18"	2050g
70316	600mm, 24"	3300g
70317	900mm, 36"	5750g

NON SPARKING OPEN ENDED SLOGGING WRENCH

- In accordance to DIN 133
- With impact area
- For heavy duty applications
- Non-sparking
- Explosion proof
- Corrosion resistant
- Wear resistant
- Aluminium-Bronze (Non-Ferrous-Alloy)
- Packing: color box



STOCK NO.	SIZE	LENGTH	Al-Cu
70324	24mm	150mm	220g
70325	26mm	160mm	260g
70326	27mm	160mm	268g
70327	30mm	175mm	372g
70328	32mm	190mm	421g
70330	35mm	210mm	685g
70331	36mm	210mm	688g
70333	41mm	220mm	739g
70334	46mm	245mm	1060g
70335	50mm	260mm	1229g
70336	55mm	280mm	1705g
70339	60mm	300mm	2213g
70341	65mm	310mm	2239g
70343	70mm	325mm	2558g
70344	75mm	345mm	3400g
70345	80mm	365mm	2600g

NON SPARKING 12 POINT RING SLOGGING WRENCH

- Flank Traction profile (12 point)
- In accordance to DIN 7444
- With impact area
- For heavy duty applications
- Non-sparking
- Explosion proof
- Corrosion resistant
- Wear resistant
- Aluminium-Bronze (Non-Ferrous-Alloy)
- Packing: color box



STOCK NO.	SIZE	LENGTH	Al-Cu
70394	24mm	155mm	216g
70395	26mm	165mm	291g
70396	27mm	165mm	298g
70397	30mm	175mm	410g
70398	32mm	175mm	388g
70400	35mm	195mm	579g
70401	36mm	195mm	562g
70403	41mm	220mm	723g
70404	46mm	230mm	879g
70405	50mm	245mm	1138g
70406	55mm	255mm	1170g
70409	60mm	265mm	1277g
70411	65mm	290mm	1890g
70413	70mm	320mm	2342g
70414	75mm	330mm	2682g
70415	80mm	345mm	2960g

NON SPARKING RATCHET WRENCH FOR SOCKET

- With centring point
- Non-sparking
- Explosion proof
- Corrosion resistant
- Wear resistant
- Aluminium-Bronze (Non-Ferrous-Alloy)
- Packing: color box



STOCK NO.	SIZE	LENGTH	Al-Cu
70421	17mm	225mm	479g
70422	19mm	245mm	566g
70423	21mm	260mm	642g
70424	22mm	260mm	642g
70425	24mm	265mm	666g
70426	26mm	280mm	848g
70427	27mm	280mm	795g
70428	30mm	300mm	906g
70429	32mm	310mm	1018g
70430	35mm	330mm	1308g
70431	36mm	330mm	1308g
70432	41mm	335mm	1621g

NON SPARKING 45° BENT NOSE PIPE WRENCH

- In accordance to DIN 5234
- 45° angled
- Non-sparking
- Explosion proof
- Corrosion resistant
- Very breakage resistant
- Aluminium-Bronze (Non-Ferrous-Alloy)
- Packing: color box



STOCK NO.	SIZE	LENGTH	Al-Cu
70481	1-1/2"	450mm	1549g
70482	2"	530mm	1669g

INDUSTRIAL

NON SPARKING VALVE WHEEL WRENCH

- Non-sparking
- Explosion proof
- Corrosion resistant
- Wear resistant
- Aluminium-Bronze (Non-Ferrous-Alloy)
- Packing: color box



STOCK NO.	SIZE
70511	30x300mm
70512	40x400mm
70513	50x500mm
70514	60x600mm

INDUSTRIAL

NON SPARKING UNIVERSAL BARREL WRENCH

- For current barrel clasps
- Non-sparking
- Explosion proof
- Corrosion resistant
- Wear resistant
- Aluminium-Bronze (Non-Ferrous-Alloy)
- Packing: color box



STOCK NO.	SIZE	Al-Cu
70520	300mm	780g

INDUSTRIAL

NON SPARKING UNIVERSAL BARREL WRENCH

- For current barrel clasps
- Non-sparking
- Explosion proof
- Corrosion resistant
- Wear resistant
- Aluminium-Bronze (Non-Ferrous-Alloy)
- Packing: color box



STOCK NO.	SIZE	Al-Cu
70522	350mm	1182g

INDUSTRIAL

NON SPARKING MACHINIST HAMMER

- In accordance to DIN 1041
- With fiberglass handle
- Head and edge areas ground
- Edges rounded off
- Non-sparking
- Explosion proof
- Corrosion resistant
- Wear resistant
- Aluminium-Bronze (Non Ferrous Alloy)
- Packing: color box



STOCK NO.	SIZE
70601	300g
70602	500g
70603	1000g
70604	1500g

INDUSTRIAL

NON SPARKING STONING HAMMER

- In accordance to DIN 6475
- With fiberglass handle
- Head and edge areas ground
- Edges rounded off
- Non-sparking
- Explosion proof
- Corrosion resistant
- Wear resistant
- Aluminium-Bronze (Non Ferrous Alloy)
- Packing: color box



STOCK NO.	SIZE
70606	1000g
70607	1500g
70608	2000g

INDUSTRIAL

NON SPARKING SLEDGE HAMMER

- With fiberglass handle
- Head and edge areas ground
- Edges rounded off
- Non-sparking
- Explosion proof
- Corrosion resistant
- Wear resistant
- Aluminium-Bronze (Non Ferrous Alloy)
- Packing: color box



STOCK NO.	SIZE
70611	2LB
70612	3LB
70613	4LB
70614	6LB
70615	8LB

INDUSTRIAL

NON SPARKING CLAW HAMMER

- With fiberglass handle
- Head and edge areas ground
- Edges rounded off
- Non-sparking
- Explosion proof
- Corrosion resistant
- Wear resistant
- Aluminium-Bronze (Non Ferrous Alloy)
- Packing: color box



STOCK NO.	SIZE
70620	8OZ
70621	16OZ

INDUSTRIAL

NON SPARKING BALL PEIN HAMMER

- With fiberglass handle
- Head and edge areas ground
- Edges rounded off
- Non-sparking
- Explosion proof
- Corrosion resistant
- Wear resistant
- Aluminium-Bronze (Non Ferrous Alloy)
- Packing: color box



STOCK NO.	SIZE
70626	16OZ
70628	32OZ

INDUSTRIAL

NON SPARKING COMBINATION PLIERS

- Non-sparking
- Explosion proof
- Corrosion resistant
- Very breakage resistant
- Copper Beryllium (Non-Ferrous-Alloy)
- With two component handle
- Packing: color box



STOCK NO.	SIZE	Al-Cu
70801	160mm, 6"	227g
70802	200mm, 8"	369g

INDUSTRIAL

NON SPARKING DIAGONAL CUTTING PLIERS

- Non-sparking
- Explosion proof
- Corrosion resistant
- Very breakage resistant
- Copper Beryllium (Non-Ferrous-Alloy)
- With two component handle
- Packing: color box



STOCK NO.	SIZE	Al-Cu
70806	160mm, 6"	181g
70807	200mm, 8"	269g

NON SPARKING SWEDISH 45° PIPE WRENCH

- In accordance to DIN ISO 8976
- With dipped covered handle
- Non-sparking
- Explosion proof
- Corrosion resistant
- Very breakage resistant
- Aluminium-Bronze (Non-Ferrous-Alloy)
- Packing: color box



STOCK NO.	SIZE	Al-Cu
70810	10"	370g

NON SPARKING SCREWDRIVER

- Slotted
- In accordance to DIN ISO 2380-2 / 2380-1 Form A
- With hanging hole
- With two component handle
- Non-sparking
- Explosion proof
- Corrosion resistant
- Very breakage resistant
- Aluminium-Bronze (Non-Ferrous-Alloy)
- Packing: color box



STOCK NO.	SIZE	Al-Cu
71001	3.0x50mm	32g
71002	3.0x75mm	40g
71003	4.0x100mm	50g
71004	5.0x125mm	85g
71005	6.0x125mm	110g
71006	8.0x200mm	155g
71007	9.0x250mm	170g
71008	10.0x300mm	245g

NON SPARKING SCREWDRIVER

- Phillips
- In accordance to DIN ISO 2380-2 / 2380-1 Form A
- With hanging hole
- With two component handle
- Non-sparking
- Explosion proof
- Corrosion resistant
- Very breakage resistant
- Aluminium-Bronze (Non-Ferrous-Alloy)
- Packing: color box



STOCK NO.	SIZE	Al-Cu
71011	3.0x50mm	32g
71012	3.0x75mm	40g
71013	4.0x100mm	50g
71014	5.0x125mm	85g
71015	6.0x125mm	110g
71016	8.0x200mm	155g
71017	9.0x250mm	170g
71018	10.0x300mm	245g

NON SPARKING KNIFE

- Non-sparking
- Explosion proof
- Corrosion resistant
- Wear resistant
- Aluminium-Bronze blade (Non-Ferrous-Alloy)
- Fine wooden handle
- Packing: color box



STOCK NO.	SIZE	Al-Cu
71201	150mm	125g

NON SPARKING PUTTY HAND SCRAPER

- Non-sparking
- Explosion proof
- Corrosion resistant
- Wear resistant
- Aluminium-Bronze blade (Non-Ferrous-Alloy)
- Fine wooden handle
- Packing: color box



STOCK NO.	SIZE	LENGTH	Al-Cu
71211	1"	200mm	80g
71212	1-1/2"	200mm	95g
71213	2"	200mm	115g
71214	3"	200mm	120g
71215	4"	200mm	165g

NON SPARKING DECK SCRAPER

- Non-sparking
- Explosion proof
- Corrosion resistant
- Wear resistant
- Aluminium-Bronze (Non-Ferrous-Alloy)
- Packing: color sticker



STOCK NO.	SIZE	Al-Cu
71261	50x900mm	625g

NON SPARKING SQUARE SHOVEL

- With beech handle
- Non-sparking
- Explosion proof
- Corrosion resistant
- Wear resistant
- Aluminium-Bronze (Non-Ferrous-Alloy)
- Packing: color sticker



STOCK NO.	SIZE	LENGTH	Al-Cu
71271	240x420mm	1000mm	1754g

NON SPARKING ROUND POINT SHOVEL

- With beech handle
- Non-sparking
- Explosion proof
- Corrosion resistant
- Wear resistant
- Aluminium-Bronze (Non-Ferrous-Alloy)
- Packing: color sticker



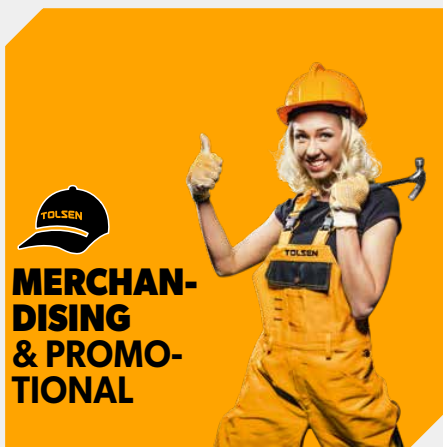
STOCK NO.	SIZE	LENGTH	Al-Cu
71281	235x420mm	1000mm	1549g

NON SPARKING CHAIN BLOCK

- Non-sparking
- Explosion proof
- Corrosion resistant
- Wear resistant
- Aluminium-Bronze (Non-Ferrous-Alloy)
- Packing: wooden case



STOCK NO.	SIZE
71805	0.5Ton
71810	1Ton
71820	2Ton
71830	3Ton
71835	5Ton



MERCHANDISING & PROMOTIONAL

CAPS

• 100% cotton



STOCK NO.	SIZE	QTY./CARTON
90001		50

CUPS



STOCK NO.	SIZE	QTY./CARTON
90002	85x103mm	36

PLASTIC BAG



STOCK NO.	SIZE	QTY./CARTON
90004	M 340x480mm	1000

NONWOVEN BAG



STOCK NO.	SIZE	QTY./CARTON
90005	400x350x120mm	50

NOTE BOOKS



STOCK NO.	SIZE	QTY./CARTON
90006	105x125mm	40

ASHTRAY



STOCK NO.	QTY./CARTON
90008	36

T-SHIRT



STOCK NO.	SIZE	QTY./CARTON
90010	Asia size M-L-XL-XXL	6 (Mx1, Lx2, XLx2, XXLx1)
90011	Euro size M-L-XL-XXL	6 (Mx1, Lx2, XLx2, XXLx1)

CATALOGUE



STOCK NO.	QTY./CARTON
90018	36

PEN

• 48pcs packed in one drawing box



STOCK NO.	QTY./CARTON
90015	10boxes

INDEX

STOCK NO.	PAGE	STOCK NO.	PAGE	STOCK NO.	PAGE	STOCK NO.	PAGE	STOCK NO.	PAGE	STOCK NO.	PAGE	STOCK NO.	PAGE	STOCK NO.	PAGE	STOCK NO.	PAGE
10000	8	10070	11	10242	11	15027	14	15092	17	15212	16	15501	18	16521	19	20022	21
10001	8	10071	11	10243	11	15028	14	15093	17	15213	16	15502	18	16522	19	20023	21
10002	8	10072	11	10244	11	15029	14	15096	17	15214	16	15503	18	16523	19	20025	21
10003	8	10073	11	10245	11	15030	14	15098	17	15215	16	15504	18	16524	19	20026	21
10004	8	10077	12	10246	11	15031	14	15110	17	15216	16	15552	18	16527	19	20027	21
10006	8	10082	12	10247	11	15032	14	15111	17	15217	16	15553	18	16530	19	20029	21
10007	8	10087	12	10251	11	15033	14	15112	17	15218	16	15554	18	16532	19	20030	21
10008	8	10092	12	10252	11	15034	14	15113	17	15219	16	15555	18	16558	20	20031	21
10013	8	10097	12	10253	11	15035	14	15114	17	15220	16	15557	18	16559	20	20032	21
10014	8	10100	12	10254	11	15036	14	15115	17	15221	16	16010	19	16560	20	20033	22
10015	8	10101	13	10256	12	15037	14	15116	17	15223	16	16308	19	16561	20	20034	22
10016	8	10103	13	10257	12	15038	14	15117	17	15226	16	16309	19	16562	20	20035	22
10017	8	10104	13	10258	12	15039	14	15118	17	15228	16	16310	19	16563	20	20036	22
10018	8	10105	13	10259	12	15040	14	15119	17	15229	16	16311	19	16564	20	20037	23
10019	8	10106	13	10301	12	15041	14	15120	17	15259	17	16312	19	16565	20	20038	23
10021	9	10107	13	10311	10	15042	14	15121	17	15280	14	16313	19	16566	20	20039	23
10022	9	10112	13	10313	10	15051	14	15122	17	15282	17	16314	19	16567	20	20040	22
10023	9	10113	13	10314	10	15052	14	15123	17	15292	16	16315	19	16568	20	20041	22
10028	9	10114	13	10329	12	15053	14	15124	17	15293	16	16316	19	16569	20	20042	22
10029	9	10115	13	10330	12	15054	14	15127	17	15295	16	16317	19	16570	20	20043	22
10030	9	10123	13	10345	10	15055	14	15128	17	15296	16	16318	19	16571	20	20048	26
10031	9	10125	13	10400	8	15056	14	15129	17	15297	16	16319	19	16572	20	20049	26
10033	9	10151	13	10410	9	15057	14	15130	17	15308	14	16358	20	16573	20	20051	26
10038	9	10153	13	15001	14	15058	14	15131	17	15309	14	16359	20	16574	20	20053	26
10039	10	10155	13	15002	14	15059	14	15132	18	15310	14	16360	20	16577	20	20054	27
10040	10	10156	13	15003	14	15060	14	15133	18	15311	14	16361	20	16580	20	20056	27
10043	10	10161	13	15004	14	15061	14	15134	18	15314	15	16362	20	16582	20	20057	27
10044	10	10163	13	15005	14	15062	14	15138	18	15316	15	16363	20	20001	20	20058	27
10045	10	10189	13	15006	14	15063	15	15139	18	15318	15	16364	20	20002	20	20059	27
10048	10	10191	13	15007	14	15064	15	15140	19	15319	15	16365	20	20003	20	20061	27
10049	10	10193	13	15008	14	15065	15	15141	19	15321	15	16366	20	20004	20	20062	28
10051	10	10194	13	15009	14	15066	15	15150	18	15322	15	16367	20	20005	20	20090	27
10052	10	10198	13	15010	14	15067	15	15151	18	15324	15	16368	20	20006	20	20094	27
10053	10	10199	13	15011	14	15068	15	15152	18	15326	15	16369	20	20007	20	20131	20
10055	11	10201	13	15014	14	15069	15	15155	16	15327	15	16508	19	20008	20	20132	20
10056	10	10204	13	15015	14	15070	15	15159	15	15329	15	16509	19	20009	20	20133	20
10057	11	10206	13	15016	14	15071	15	15160	15	15330	15	16510	19	20010	20	20134	20
10059	11	10207	13	15017	14	15072	15	15165	15	15332	15	16511	19	20011	20	20144	20
10060	11	10210	13	15018	14	15073	15	15170	16	15333	15	16512	19	20012	20	20154	20
10061	11	10231	11	15019	14	15074	15	15204	16	15335	15	16513	19	20013	20	20164	20
10062	11	10232	11	15020	14	15075	15	15205	16	15337	15	16514	19	20014	21	20202	23
10063	11	10233	11	15021	14	15076	15	15206	16	15339	15	16515	19	20015	21	20203	23
10064	11	10234	11	15022	14	15077	15	15207	16	15340	15	16516	19	20016	21	20205	23
10066	11	10235	11	15023	14	15079	17	15208	16	15341	15	16517	19	20017	21	20207	23
10067	11	10236	11	15024	14	15087	17	15209	16	15342	15	16518	19	20018	21	20212	23
10068	11	10237	11	15025	14	15089	17	15210	16	15375	16	16519	19	20019	21	20213	23
10069	11	10241	11	15026	14	15091	17	15211	16	15376	16	16520	19	20021	21	20214	23

STOCK NO.	PAGE	STOCK NO.	PAGE	STOCK NO.	PAGE	STOCK NO.	PAGE	STOCK NO.	PAGE	STOCK NO.	PAGE	STOCK NO.	PAGE	STOCK NO.	PAGE		
20217	23	20339	25	25090	33	30007	35	31025	40	35017	44	35107	46	38064	50	40092	61
20218	23	20340	25	25091	33	30008	35	31031	39	35018	44	35111	47	38090	51	40093	61
20219	23	20360	25	25093	33	30009	35	31032	39	35019	44	35112	47	40000	59	40096	61
20221	23	20361	25	25094	33	30010	35	31070	38	35020	44	35113	47	40002	59	40098	62
20222	23	20365	25	25097	33	30011	35	31071	38	35022	44	35114	47	40004	59	40099	62
20223	23	25001	29	25101	33	30012	36	31072	38	35023	44	35115	47	40005	59	40101	62
20224	23	25002	29	25104	33	30013	35	31073	38	35024	45	35172	47	40007	59	40102	62
20225	23	25003	29	25109	33	30015	34	31082	38	35026	45	35178	47	40008	59	40110	61
20226	23	25006	29	25111	33	30016	34	31100	38	35028	45	36002	44	40011	59	40111	61
20227	23	25007	29	25115	33	30017	35	32001	40	35030	45	36004	44	40012	59	40112	61
20233	24	25008	29	25121	29	30018	34	32005	40	35034	45	36005	44	40013	59	41000	62
20234	24	25010	29	25122	29	30021	36	32009	41	35038	45	36006	44	40014	59	41001	62
20235	24	25012	29	25123	29	30022	36	32013	41	35039	45	36012	44	40015	59	41002	62
20236	24	25013	29	25124	29	30023	36	32017	41	35042	45	36013	44	40016	59	41003	62
20238	24	25016	30	25125	29	30030	36	32021	41	35043	45	36014	44	40017	59	41004	62
20239	24	25022	30	25126	29	30036	36	32025	41	35044	45	36015	44	40018	59	41005	62
20240	24	25025	30	25130	29	30037	36	32029	41	35046	45	36016	44	40020	59	41008	62
20271	24	25028	30	25132	29	30042	36	32033	41	35047	45	38000	48	40021	59	41012	62
20273	24	25030	30	25133	29	30043	49	32037	41	35048	46	38001	48	40023	59	41013	62
20276	24	25031	30	25136	30	30044	36	32038	41	35050	46	38002	48	40024	59	41016	62
20277	24	25032	30	25142	30	30045	36	32046	42	35051	46	38003	48	40025	59	41017	63
20279	24	25033	31	25145	30	30046	37	32047	42	35052	46	38006	48	40031	59	41018	63
20280	24	25035	31	25148	30	30049	37	32048	42	35053	46	38007	48	40032	59	41019	63
20285	24	25037	31	25150	30	30050	37	32059	42	35055	46	38010	48	40033	59	41022	63
20286	24	25038	31	25151	30	30051	37	32060	42	35059	46	38011	48	40034	59	41030	63
20302	24	25040	31	25158	31	30052	37	32061	42	35060	46	38013	48	40035	59	41031	63
20303	24	25042	32	25160	31	30053	37	32062	42	35061	46	38014	48	40036	59	41032	63
20305	24	25043	29	25164	30	30054	37	32063	42	35062	46	38015	48	40038	59	41033	63
20307	24	25044	29	25165	30	30055	37	32100	42	35064	46	38016	48	40040	59	41034	64
20312	25	25045	30	25167	31	30056	38	32101	42	35066	46	38020	49	40044	59	41037	64
20313	25	25046	30	25171	31	30060	38	33000	42	35067	46	38021	49	40045	59	41038	64
20314	25	25047	30	25173	32	30061	38	33002	42	35068	46	38022	49	40048	60	41050	62
20317	25	25053	32	25175	32	30064	38	33003	43	35069	46	38023	49	40049	60	41051	62
20318	25	25056	32	25177	32	30065	38	33004	43	35070	46	38024	49	40050	60	41052	62
20319	25	25060	32	25253	32	30106	39	33005	43	35072	47	38025	49	40051	60	41053	62
20321	25	25062	32	25254	32	30108	35	33006	43	35074	47	38031	51	40054	60	41055	62
20322	25	25065	32	25255	32	31013	39	33011	43	35076	47	38034	51	40057	60	41056	62
20323	25	25067	32	25256	32	31014	39	33013	43	35077	47	38040	49	40059	60	41057	62
20324	25	25069	32	25380	32	31016	39	33021	43	35078	47	38041	49	40070	60	41058	62
20325	25	25071	32	25384	32	31017	39	33022	43	35079	47	38049	49	40073	60	42000	64
20326	25	25073	32	30000	34	31018	39	33505	43	35080	45	38050	49	40075	60	42002	64
20327	25	25075	32	30001	34	31019	39	35002	44	35081	45	38051	50	40077	60	42003	64
20333	25	25079	32	30002	34	31020	40	35003	44	35091	46	38052	50	40079	60	42008	64
20334	25	25082	33	30003	34	31021	40	35005	44	35100	46	38054	50	40081	61	42011	64
20335	25	25085	33	30004	34	31022	40	35009	44	35102	46	38056	50	40083	61	42012	64
20336	25	25086	33	30005	35	31023	40	35010	44	35104	46	38060	50	40090	61	42021	65
20338	25	25089	33	30006	35	31024	40	35012	44	35105	46	38062	50	40091	61	42022	65

INDEX

STOCK NO.	PAGE	STOCK NO.	PAGE	STOCK NO.	PAGE	STOCK NO.	PAGE	STOCK NO.	PAGE	STOCK NO.	PAGE	STOCK NO.	PAGE	STOCK NO.	PAGE		
43001	28	45006	67	45117	69	51004	72	62661	73	70110	105	70217	105	70317	106	70511	107
43003	28	45010	67	45118	69	51005	72	62662	73	70111	105	70218	105	70324	106	70512	107
43005	28	45024	67	45119	69	51006	72	62663	73	70112	105	70219	105	70325	106	70513	107
43006	28	45025	79	45120	69	51007	72	62680	75	70113	105	70220	105	70326	106	70514	107
43007	28	45026	79	45182	69	51011	72	62683	75	70114	105	70221	105	70327	106	70520	107
43008	28	45031	67	45188	68	51012	72	65000	75	70115	105	70222	105	70328	106	70522	107
43009	28	45040	67	45189	68	51013	72	65001	75	70116	105	70223	105	70330	106	70601	107
43010	28	45041	67	45190	68	51014	72	65002	75	70117	105	70224	105	70331	106	70602	107
43011	28	45044	66	45191	68	51015	72	65003	75	70118	105	70225	105	70333	106	70603	107
43012	28	45047	66	45351	69	51016	72	65010	75	70119	105	70226	105	70334	106	70604	107
43021	29	45052	67	45352	69	51017	72	65011	75	70120	105	70230	106	70335	106	70606	107
43022	29	45054	67	45353	69	55109	73	65012	75	70121	105	70231	106	70336	106	70607	107
43023	29	45062	67	45354	69	55111	72	65013	75	70122	105	70232	106	70339	106	70608	107
43024	29	45069	68	45355	69	55113	72	65020	76	70123	105	70233	106	70341	106	70611	107
43025	29	45071	67	45356	69	55114	72	65021	76	70124	105	70234	106	70343	106	70612	107
43028	29	45072	68	45357	69	55115	72	65022	76	70125	105	70235	106	70344	106	70613	107
43029	29	45073	68	45358	69	55116	72	65023	76	70126	105	70236	106	70345	106	70614	107
43030	29	45074	68	50000	71	55123	73	65030	76	70127	105	70237	106	70394	106	70615	107
43041	65	45075	79	50004	72	55133	73	65031	76	70128	105	70238	106	70395	106	70620	107
43042	65	45081	68	50093	71	55134	73	65032	76	70129	105	70239	106	70396	106	70621	107
43043	65	45082	68	50100	72	55135	73	65033	76	70130	105	70240	106	70397	106	70626	107
43044	65	45083	68	50101	72	55136	73	65200	76	70131	105	70241	106	70398	106	70628	107
43046	65	45085	79	50102	72	55170	73	65202	76	70132	105	70250	106	70400	106	70801	107
43048	65	45086	79	50105	72	55175	73	65210	76	70140	105	70251	106	70401	106	70802	107
43049	65	45087	79	50108	72	58050	32	65223	76	70145	105	70252	106	70403	106	70806	108
43060	65	45088	68	50110	72	58070	32	65225	76	70151	105	70253	106	70404	106	70807	108
43099	28	45089	69	50115	72	58071	32	65230	76	70152	105	70254	106	70405	106	70810	108
43100	28	45090	69	50118	72	58072	32	65402	78	70153	105	70255	106	70406	106	71001	108
44016	79	45091	69	50120	72	60011	70	65404	78	70161	105	70256	106	70409	106	71002	108
44020	79	45092	69	50140	72	60015	70	65406	78	70162	105	70257	106	70411	106	71003	108
44910	80	45093	69	50200	71	60020	70	65410	78	70200	105	70258	106	70413	106	71004	108
44911	80	45094	69	50202	71	60021	70	65420	78	70201	105	70259	106	70414	106	71005	108
44912	80	45095	69	50203	71	60031	70	65462	78	70202	105	70260	106	70415	106	71006	108
44930	80	45096	69	50206	71	60033	70	65463	78	70203	105	70261	106	70421	106	71007	108
44931	80	45097	69	50212	71	60035	70	65464	78	70204	105	70302	106	70422	106	71008	108
44933	80	45098	69	50216	71	62242	74	65482	78	70205	105	70303	106	70423	106	71011	108
44934	80	45099	69	50244	71	62243	74	65483	78	70206	105	70304	106	70424	106	71012	108
44940	80	45100	69	50245	71	62246	74	65495	77	70207	105	70305	106	70425	106	71013	108
44941	80	45102	69	50246	71	62248	74	65497	77	70208	105	70306	106	70426	106	71014	108
44945	80	45103	69	50248	71	62252	74	65499	77	70209	105	70307	106	70427	106	71015	108
44952	80	45106	69	50249	71	62254	74	65501	76	70210	105	70308	106	70428	106	71016	108
44953	80	45110	69	50270	71	62261	74	65601	77	70211	105	70311	106	70429	106	71017	108
44954	80	45111	69	50271	71	62265	74	66011	70	70212	105	70312	106	70430	106	71018	108
44963	80	45112	69	50281	72	62442	78	66015	71	70213	105	70313	106	70431	106	71201	108
44964	80	45113	69	51001	72	62600	75	66020	71	70214	105	70314	106	70432	106	71211	108
45001	66	45115	69	51002	72	62605	75	70024	105	70215	105	70315	106	70481	107	71212	108
45002	66	45116	69	51003	72	62606	75	70108	105	70216	105	70316	106	70482	107	71213	108

STOCK NO.	PAGE	STOCK NO.	PAGE	STOCK NO.	PAGE	STOCK NO.	PAGE	STOCK NO.	PAGE	STOCK NO.	PAGE	STOCK NO.	PAGE	STOCK NO.	PAGE		
71214	108	75004	82	75060	82	75145	83	75221	83	75384	80	75506	82	75608	84	75722	89
71215	108	75005	82	75061	82	75146	83	75222	83	75386	80	75507	82	75609	84	75724	89
71261	108	75006	82	75062	82	75147	83	75223	83	75387	80	75508	82	75610	84	75725	89
71271	108	75007	82	75063	82	75148	83	75224	83	75388	80	75509	82	75625	84	75727	89
71281	108	75008	82	75064	82	75149	83	75225	83	75390	80	75510	82	75626	84	75729	89
71805	108	75009	82	75072	82	75150	83	75226	83	75392	80	75511	82	75628	85	75730	89
71810	108	75010	82	75073	82	75151	83	75227	83	75394	80	75512	82	75631	84	75732	89
71820	108	75011	82	75074	82	75152	83	75228	83	75396	80	75513	82	75632	84	75733	89
71830	108	75012	82	75080	84	75153	83	75301	80	75406	80	75514	82	75633	84	75735	89
71835	108	75013	82	75081	84	75154	83	75302	80	75408	80	75515	82	75634	84	75737	89
74802	81	75014	82	75082	85	75155	83	75303	80	75409	80	75516	82	75635	84	75738	89
74804	81	75015	82	75086	85	75156	83	75304	80	75410	80	75517	82	75636	84	75740	89
74822	81	75016	82	75100	85	75157	83	75306	80	75412	80	75518	82	75637	84	75741	89
74824	81	75017	82	75105	83	75158	83	75308	80	75414	80	75519	82	75638	84	75743	89
74826	81	75018	82	75106	83	75159	83	75317	80	75415	80	75520	82	75639	84	75744	89
74828	81	75019	82	75107	83	75160	83	75318	80	75416	80	75521	82	75640	84	75746	89
74830	81	75020	82	75108	83	75161	83	75321	80	75417	80	75522	82	75641	84	75748	89
74832	81	75021	82	75109	83	75162	83	75322	80	75421	80	75523	82	75642	84	75751	89
74842	81	75022	82	75110	83	75163	83	75323	80	75440	81	75530	82	75643	84	75752	89
74844	81	75023	82	75111	83	75164	83	75324	80	75441	81	75540	82	75644	84	75754	89
74846	81	75024	82	75112	83	75165	83	75325	80	75442	81	75541	82	75645	84	75757	89
74848	81	75025	82	75113	83	75166	83	75326	80	75448	81	75542	82	75646	84	75759	89
74850	81	75026	82	75114	83	75167	83	75327	80	75450	81	75543	82	75647	84	75760	89
74852	81	75027	82	75115	83	75172	83	75328	80	75451	81	75544	82	75648	84	75764	89
74864	81	75032	82	75116	83	75173	83	75329	80	75456	81	75545	82	75649	84	75765	89
74866	81	75033	82	75117	83	75174	83	75330	80	75457	81	75546	82	75650	84	75767	89
74868	81	75034	82	75118	83	75200	83	75337	80	75459	84	75547	82	75656	85	75768	89
74870	81	75040	82	75119	83	75201	83	75338	80	75460	82	75548	82	75680	89	75770	89
74872	81	75041	82	75120	83	75202	83	75342	80	75461	82	75549	82	75690	84	75773	89
74874	81	75042	82	75121	83	75203	83	75344	80	75462	82	75560	82	75691	84	75776	89
74886	81	75043	82	75122	83	75204	83	75346	80	75463	82	75561	82	75692	84	75779	89
74888	81	75044	82	75123	83	75205	83	75347	80	75464	82	75562	82	75693	84	75783	89
74890	81	75045	82	75124	83	75206	83	75348	80	75465	82	75563	82	75694	84	75786	89
74892	81	75046	82	75125	83	75207	83	75349	80	75466	82	75564	82	75695	84	75789	89
74894	81	75047	82	75126	83	75208	83	75350	80	75467	82	75565	82	75696	84	75792	89
74906	81	75048	82	75127	83	75209	83	75352	80	75468	82	75566	82	75697	84	75795	89
74908	81	75049	82	75128	83	75210	83	75362	80	75475	82	75567	82	75699	84	75798	89
74910	81	75050	82	75129	83	75211	83	75363	80	75476	82	75568	82	75700	90	75802	89
74912	81	75051	82	75130	83	75212	83	75364	80	75477	82	75569	82	75701	90	75805	89
74914	81	75052	82	75131	83	75213	83	75365	80	75478	82	75600	84	75702	90	75808	89
74916	81	75053	82	75132	83	75214	83	75366	80	75479	82	75601	84	75703	90	75811	89
74918	81	75054	82	75133	83	75215	83	75367	80	75500	82	75602	84	75714	89	75814	89
74921	81	75055	82	75140	83	75216	83	75368	80	75501	82	75603	84	75716	89	75821	89
75000	82	75056	82	75141	83	75217	83	75369	80	75502	82	75604	84	75717	89	75827	89
75001	82	75057	82	75142	83	75218	83	75370	80	75503	82	75605	84	75719	89	75833	89
75002	82	75058	82	75143	83	75219	83	75372	80	75504	82	75606	84	75720	89	75840	89
75003	82	75059	82	75144	83	75220	83	75377	80	75505	82	75607	84	75721	89	75846	89

INDEX

STOCK NO.	PAGE	STOCK NO.	PAGE	STOCK NO.	PAGE	STOCK NO.	PAGE	STOCK NO.	PAGE	STOCK NO.	PAGE	STOCK NO.	PAGE	STOCK NO.	PAGE
75852	89	76185	86	76804	91	77563	87	79511	95	90009	102	V31430	56	V40308	57
75858	89	76187	86	76805	91	77564	87	79512	95	90010	109	V31600	56	V40309	57
75861	89	76301	86	76806	91	77567	87	79513	95	90011	109	V31601	56	V40310	57
75865	89	76302	86	76811	91	77569	87	79521	96	90015	109	V31602	56	V40311	57
75866	90	76303	86	76812	91	77570	87	79522	96	90018	109	V31806	56	V40312	57
75868	90	76305	86	77110	87	77581	87	79531	96	V12224	57	V31808	56	V40313	57
75869	90	76307	86	77211	89	77587	87	79538	97	V30204	55	V31810	56	V40314	57
75870	90	76321	86	77212	89	77597	88	79551	97	V30205	55	V31815	56	V40315	57
75881	90	76322	86	77213	89	77803	25	79604	100	V30206	55	V31820	56	V40316	57
75914	85	76323	86	77215	89	77812	25	79606	100	V30208	55	V32007	56	V40317	57
75915	85	76325	86	77221	89	77823	26	79701	97	V30210	55	V32408	55	V40318	57
75916	85	76327	86	77222	89	77825	26	79711	98	V30212	55	V33212	56	V40319	57
75918	85	76410	86	77223	89	77830	26	79721	98	V30400	55	V33506	55	V40321	57
75920	85	76420	86	77225	89	77831	26	79731	99	V30401	55	V38116	53	V40322	57
75922	85	76430	86	77260	88	77832	26	79741	99	V30402	55	V38117	53	V40324	57
75923	85	76431	86	77261	88	77838	26	79761	99	V30403	55	V38118	53	V40327	57
75925	85	76440	86	77262	88	77841	26	79762	100	V30600	55	V38126	53	V40330	57
75926	85	76441	86	77311	89	77842	26	79791	100	V30601	55	V38127	53	V40332	57
75928	85	76450	86	77312	89	77843	26	80101	101	V30602	55	V38136	53	V40520	57
75930	85	76451	86	77313	89	77845	26	80102	101	V30603	55	V38138	53	V40525	57
75932	85	76460	86	77315	89	77846	26	80103	102	V30810	55	V38146	53	V42710	57
75935	85	76461	86	77321	89	77847	26	80112	102	V30815	55	V38148	53	V42711	57
75938	85	76470	86	77322	89	77848	26	80120	102	V30820	55	V38156	53	V42712	57
75940	85	76540	87	77323	89	77858	26	80190	101	V30825	55	V38166	54	V42713	57
75942	85	76560	87	77325	89	77861	26	80201	101	V30830	55	V38176	54	V42714	57
75945	85	76570	87	77501	87	77863	26	80211	101	V31003	55	V40106	56	V42715	57
75948	85	76680	87	77503	87	77864	26	80212	101	V31004	55	V40107	56	V42716	57
75950	85	76681	87	77504	87	77865	26	80221	103	V31005	55	V40108	56	V42717	57
75955	85	76682	87	77507	87	79011	93	80307	102	V31006	55	V40109	56	V42718	57
75960	85	76700	87	77509	87	79013	93	83013	103	V31008	55	V40110	56	V42719	57
75965	85	76702	87	77510	87	79014	93	83021	103	V31025	55	V40111	56	V50418	57
75970	85	76703	87	77513	87	79016	93	83024	103	V31204	55	V40112	56	V51416	57
75975	85	76705	87	77515	87	79017	93	83037	103	V31205	55	V40113	56	V70670	56
76101	86	76707	87	77517	88	79019	94	83062	103	V31206	55	V40114	56	V82115	58
76102	86	76720	87	77520	88	79100	100	83070	103	V31207	55	V40115	56	V83103	54
76103	86	76722	87	77527	88	79105	50	83071	103	V31208	55	V40116	56	V83204	54
76105	86	76723	87	77533	88	79110	51	83072	103	V31209	55	V40117	56	V83306	54
76107	86	76725	87	77534	88	79160	98	83090	103	V31210	55	V40118	56	V83411	54
76120	86	76727	87	77535	88	79161	98	85301	23	V31211	55	V40119	56	V83606	57
76141	86	76740	87	77540	88	79170	98	85360	7	V31212	55	V40121	56	V83718	58
76142	86	76742	87	77542	88	79171	98	85401	6	V31213	55	V40122	56	V83825	58
76143	86	76743	87	77543	88	79180	98	90001	109	V31214	55	V40124	56	V90047	57
76145	86	76745	87	77546	88	79181	98	90002	109	V31255	55	V40127	56		
76147	86	76747	87	77548	88	79182	98	90004	109	V31415	56	V40130	56		
76181	86	76801	91	77550	88	79501	94	90005	109	V31418	56	V40132	56		
76182	86	76802	91	77552	88	79502	94	90006	109	V31420	56	V40306	57		
76183	86	76803	91	77561	87	79503	94	90008	109	V31425	56	V40307	57		



TOLSEN™ TOOLS AND MORE



1808

CATALOG



 know more
about us!

TOLSEN TOOLS CO., LIMITED


Address:
6/F, Xinhongji Mansion,
No. 28 Huachang Road,
Zhangjiagang City, Jiangsu
Province, China 215600

Tel:
0086-512-55398658
0086-512-55398652

Fax:
0086-512-58696970


E-mail:
sales@tolseentools.com

www.tolseentools.com

 Skype:
sheng_jjjun

 WhatsApp:
008613906242950

 WeChat:
tolseentools

 QQ:
2881527358

DISTRIBUTOR INFORMATION: